

Dell™ Online Rack UPS 10 kW

Getting Started With Your System

Démarrer Avec Votre Système

Erste Schritte mit Ihrem System

Начало работы с системой

Cómo empezar con su sistema

系统使用 入门指南

系統使用 入門指南

사용자의 시스템 시작하기

はじめに システムについて

DELL10KWOLHVUS, DELL10KWOLHV, DELL10KWOLHVB
DELL10KWEBM



Dell™ Online Rack UPS 10 kW

Getting Started With Your System

DELL10KWOLHVUS, DELL10KWOLHV, DELL10KWOLHVB
DELL10KWEBM



Notes and Warnings



NOTE: A NOTE indicates important information that helps you make better use of your software.



DANGER: A DANGER indicates an imminently hazardous situation which, if not avoided, will result in death or serious injury.



WARNING: A WARNING indicates a potentially hazardous situation which, if not avoided, could result in death or injury.



CAUTION: A CAUTION indicates a potentially hazardous situation which, if not avoided, may result in minor or moderate injury or in property damage incidents.



DANGER: Observe the following instruction to help prevent an imminently hazardous situation which, if not avoided, will result in death or serious injury:

- The UPS contains **LETHAL VOLTAGES**. All repairs and service should be performed by **AUTHORIZED SERVICE PERSONNEL ONLY**. There are **NO USER SERVICEABLE PARTS** inside the UPS or EBM.

Information in this document is subject to change without notice.

© 2012 Dell Inc. All rights reserved.

Reproduction in any manner whatsoever without the written permission of Dell Inc. is strictly forbidden.

Trademarks used in this text: *Dell* and the *DELL* logo are trademarks of Dell Inc.; ENERGY STAR name is a registered trademark owned by the U.S. Environmental Protection Agency.

Other trademarks and trade names may be used in this document to refer to either the entities claiming the marks and names or their products. Dell Inc. disclaims any proprietary interest in trademarks and trade names other than its own.

December 2012

System Features

Providing outstanding performance and reliability, the UPS's unique benefits include:


- Online UPS design with pure sine wave output.
- True online double-conversion technology with high power density, utility frequency independence, and generator compatibility.
- Buck and Boost voltage regulation that ensures regulated voltage to your load by correcting voltage fluctuations.
- The UPS filters and regulates incoming AC power and provides consistent power to your equipment without draining the battery.
- Selectable High Efficiency mode of operation.
- 5U UPS height.
- Start-on-battery capability for powering up the UPS even if utility power is not available.
- Maintenance is simplified by allowing the safe replacement of batteries without powering down the UPS.
- Dell service tag information can be read from the front panel LCD display.
- Extended runtime with an optional Extended Battery Module (EBM).
- Emergency shutdown control through the Remote Emergency Power-off (REPO) ports.
- Two standard communication ports (USB and RS-232 serial port).
- Optional Dell Network Management Card (also known as the NMC) with enhanced communication capabilities for increased power protection and control.
- Optional Environmental Monitoring Probe (EMP) for collecting temperature and humidity readings in the frame environment and monitoring the environmental data remotely. You can also collect and retrieve the status of two user-provided contact devices.
- Advanced power management with the Dell™ Multi-UPS Management Console (MUMC) and Dell™ UPS Local Node Manager (ULNM) Web-based software applications for graceful shutdowns and power monitoring.
- Sequential shutdown and load management through separate receptacle groups called load segments.
- Firmware that is easily upgradable without a service call.
- Backed by worldwide agency approvals.
- ENERGY STAR® certified UPSs.



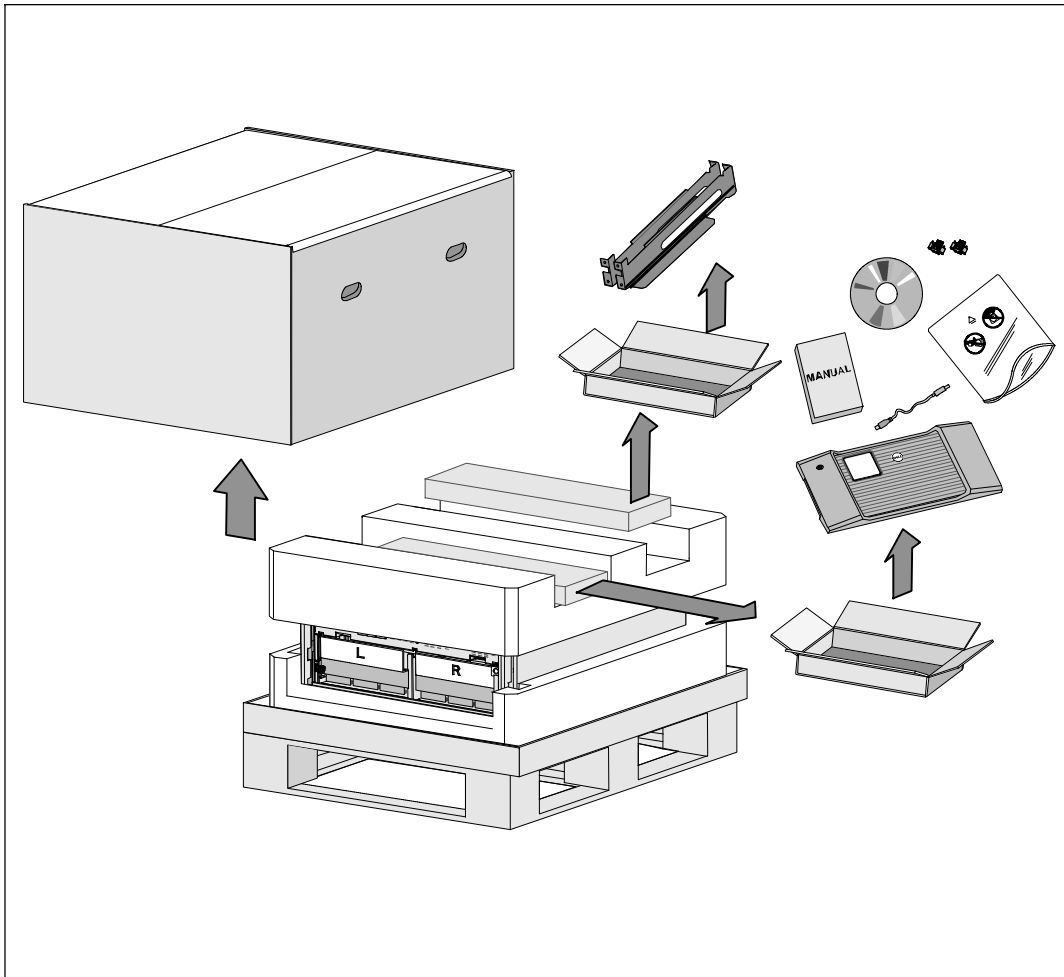
Finding Information



CAUTION: The *Safety, Environmental, and Regulatory Information* document provides important safety and regulatory information.

What are You Looking For?	Find It Here
<ul style="list-style-type: none">• The user's guide for my UPS• The user's guide for the Dell Network Management Card• Dell MUMC and Dell ULNM User's Guides	<p data-bbox="714 404 856 434">Dell UPS Disc</p>  <p data-bbox="714 703 1278 789">NOTE: Documentation and software updates can be found at www.support.dell.com and at www.dellups.com.</p>
<ul style="list-style-type: none">• Specifications• How to configure UPS settings• How to troubleshoot and solve problems• How to install REPO control	<p data-bbox="714 798 942 828">Dell UPS User's Guide</p> <p data-bbox="714 841 1278 899">The user's guide is available on the Dell UPS disc and on www.support.dell.com.</p>
<ul style="list-style-type: none">• Safety instructions• Regulatory information• Recycling information	<p data-bbox="714 954 1278 984">Safety, Environmental, and Regulatory Information</p>
<ul style="list-style-type: none">• Warranty information• Terms and Conditions (U.S. only)• End User License Agreement	<p data-bbox="714 1076 1278 1105">Dell Warranty and Support Information</p>
<ul style="list-style-type: none">• Support information	<p data-bbox="714 1197 1278 1227">Dell Support Website — www.support.dell.com</p> <p data-bbox="714 1241 1278 1296">NOTE: Select your region or business segment to view the appropriate support site.</p>

Installation and Startup



- ⚠ CAUTION:** Before performing the procedures in this document, read and follow the safety instructions and important regulatory information in your *Safety, Environmental, and Regulatory Information* document.
- ⚠ CAUTION:** Unpacking the cabinet in a low-temperature environment may cause condensation to occur in and on the cabinet. Do not install the cabinet until the inside and outside of the cabinet are absolutely dry (hazard of electric shock).
- ⚠ CAUTION:** Installing or removing the battery trays should be performed or supervised by personnel knowledgeable about batteries and the required precautions. Keep unauthorized personnel away from batteries.

⚠ CAUTION: The cabinet is heavy (99 kg/218 lb): Always remove both battery trays from the UPS before lifting the cabinet. Lifting the cabinet into the rack requires a minimum of two people.

⚠ CAUTION: The batteries are heavy (32 kg/71 lb). Use proper lifting techniques when removing the batteries.

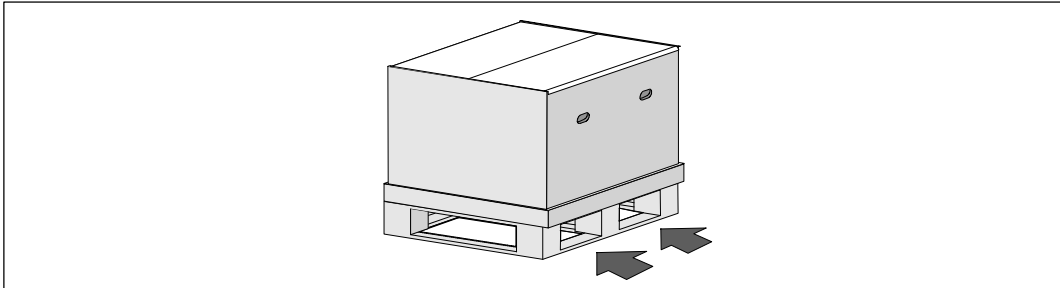
✍ NOTE: Use care when moving and opening the carton. Leave the components packaged until ready to install.

This section describes the steps to set up your system for the first time.

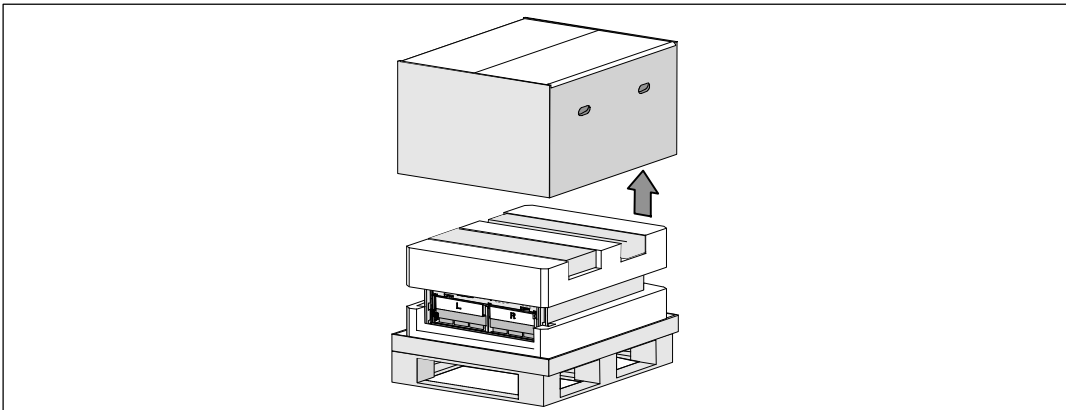
Unpacking the Cabinet

To unpack the system:

- 1 Using a forklift or pallet jack, move the shipping carton and pallet near the rack where you will install the UPS.




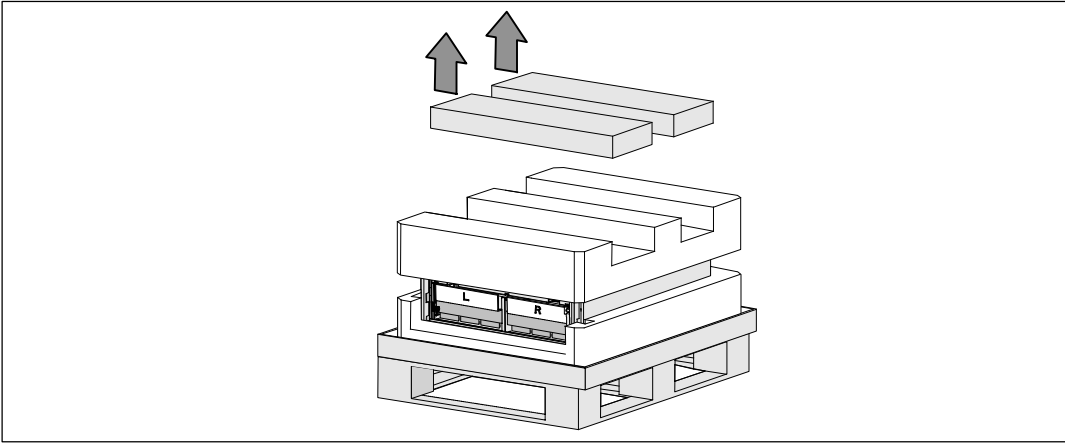
- 2 Detach and remove the outer carton.



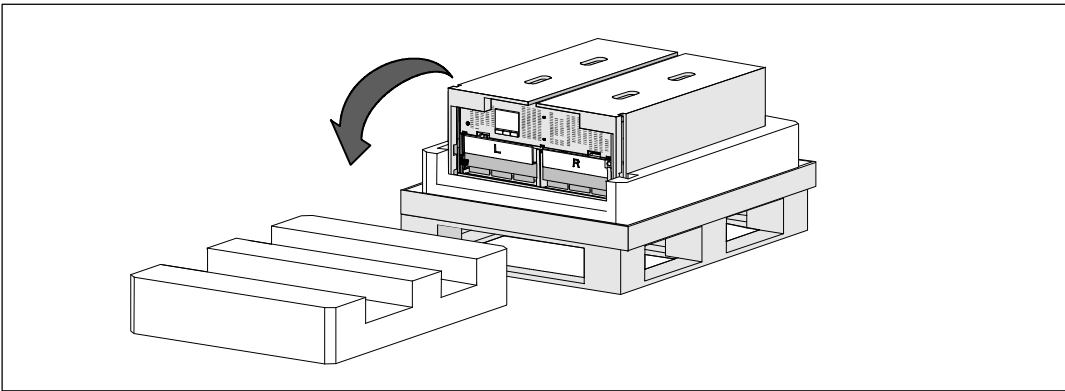
3 Remove the two accessory boxes tucked into the channels in the top Styrofoam section.


4 Open the accessory boxes and set them on a flat, stable surface nearby.

 **NOTE:** The *Dell Online Rack UPS 10 kW User's Guide* provides unpacking and installation procedures. To refer to it, remove it from the accessory box before you set the accessory boxes aside.



5 Remove the top Styrofoam section and set it on a flat, stable surface nearby.



 **NOTE:** The battery retaining brackets are labeled **L** (Left) and **R** (Right) to indicate where they must be installed.

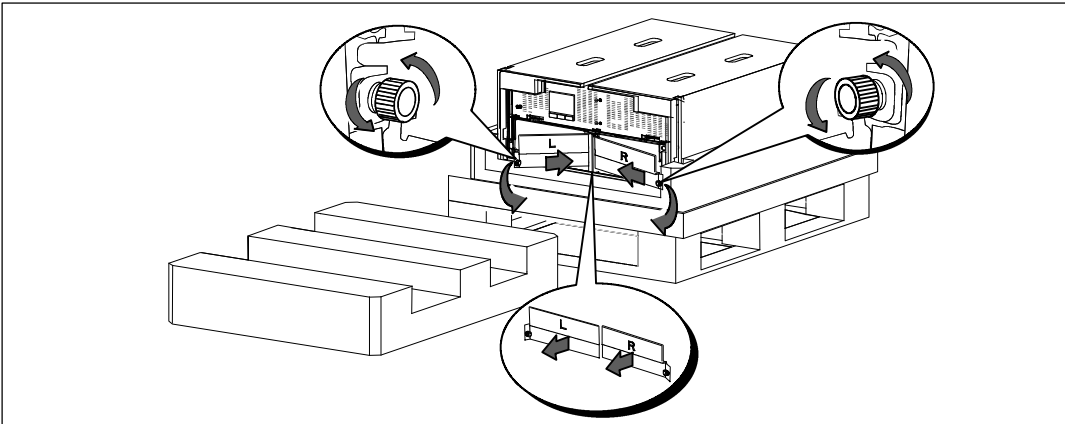
6 Remove both retaining brackets from the UPS:

Locate the left (labeled **L**) retaining bracket. On the left side of the chassis, turn the thumbscrew counter-clockwise to release the left retaining bracket.

Push the bracket toward the center post to disengage it from the chassis. Swing the bracket toward you and pull the bracket to the left to remove it. Set the bracket aside.

Locate the right (labeled **R**) retaining bracket. On the right side of the chassis, turn the thumbscrew counter-clockwise to release the right retaining bracket.

Push the bracket toward the center post to disengage it from the chassis. Swing the bracket toward you and pull the bracket to the right to remove it. Set the bracket aside.



7 Ensure all battery connectors are disconnected.



CAUTION: The batteries are heavy (32 kg/71 lb). Use proper lifting techniques when removing the batteries.

8

Remove the battery trays from the UPS:

Move the disconnected UPS battery connectors at the top of the battery compartment out of the way.

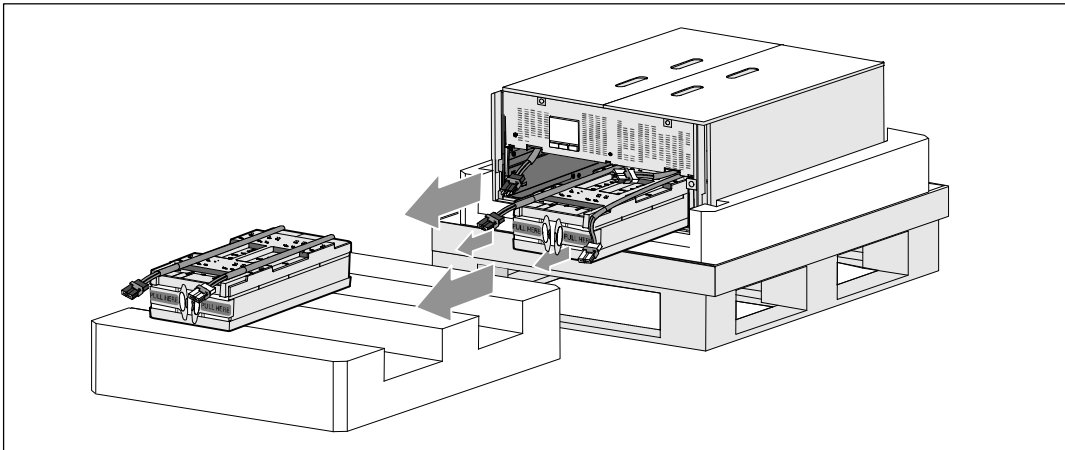
Grip the two plastic loop tabs on the front of the battery tray. Pull the tray toward you to remove.



NOTE: The orange **PULL HERE** labels indicate where to grasp the loop tabs.

Set the battery tray on the Styrofoam section you removed from the top of the UPS.

Repeat with the second battery tray.

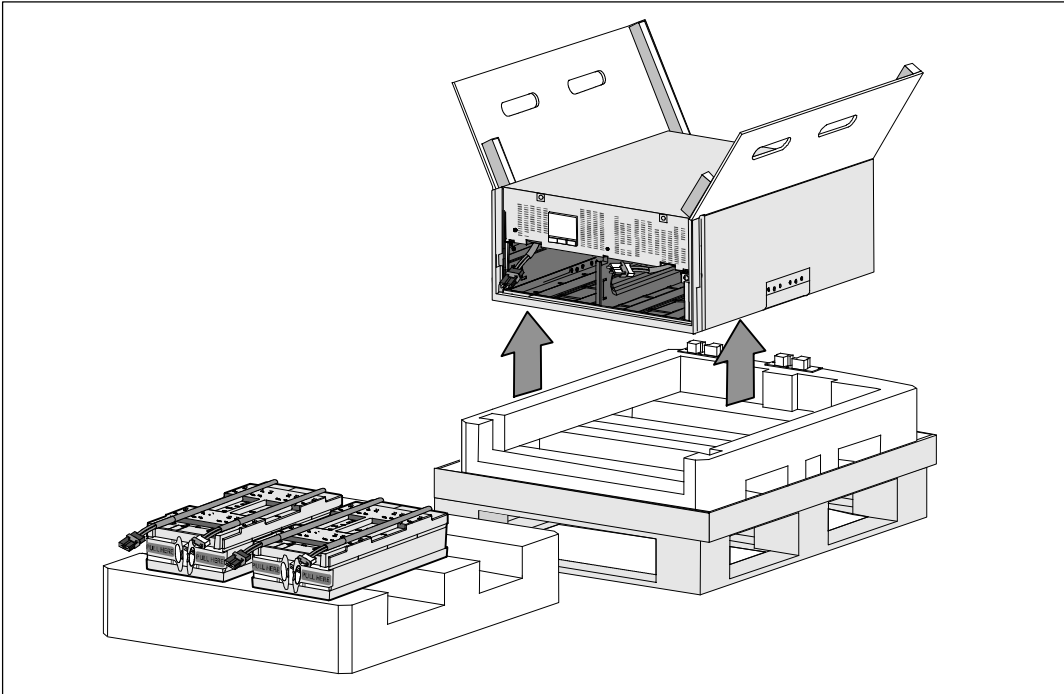




CAUTION: The cabinet is heavy (46 kg/101 lb) with the batteries removed. Lifting the cabinet from the shipping carton requires a minimum of two people.

9

With one person on each side, carefully lift the cabinet out of the styrofoam using the handles on the cardboard.



10

Place the cabinet on a flat, stable surface in a protected area near the rack where you will install it.



NOTE: Ensure that the area has adequate airflow and is free of humidity, flammable gas, and corrosion.

Rackmount Setup



CAUTION: The cabinet is heavy (99 kg/218 lb). Always remove both battery trays from the UPS before lifting the cabinet and installing the UPS on the rails in the rack. Lifting the cabinets into the rack requires a minimum of two people.



CAUTION: Installing or removing the batteries should be performed or supervised by personnel knowledgeable about batteries and the required precautions. Keep unauthorized personnel away from batteries.



CAUTION: The batteries are heavy (32 kg/71 lb). Use proper lifting techniques when removing the batteries.



CAUTION: If installing an optional EBM, the EBM must be located below the UPS with no U space between the UPS and EBM. This provides better weight distribution in the rack, easier access to the UPS control panel, and easier routing for the battery cable connections. This also prevents strain between the EBM cord and the UPS connection and possible connection failure.



WARNING: For Rack-Mounted Systems: When installing multiple systems in a rack, complete all of the procedures for the current system before attempting to install the next system.



NOTE: Mounting rails are required for each individual cabinet.



NOTE: The cabinet is shipped without the front cover bezel attached.



NOTE: The following instructions are the same for square-hole racks and unthreaded, round-hole racks. The rails fit both rack styles.

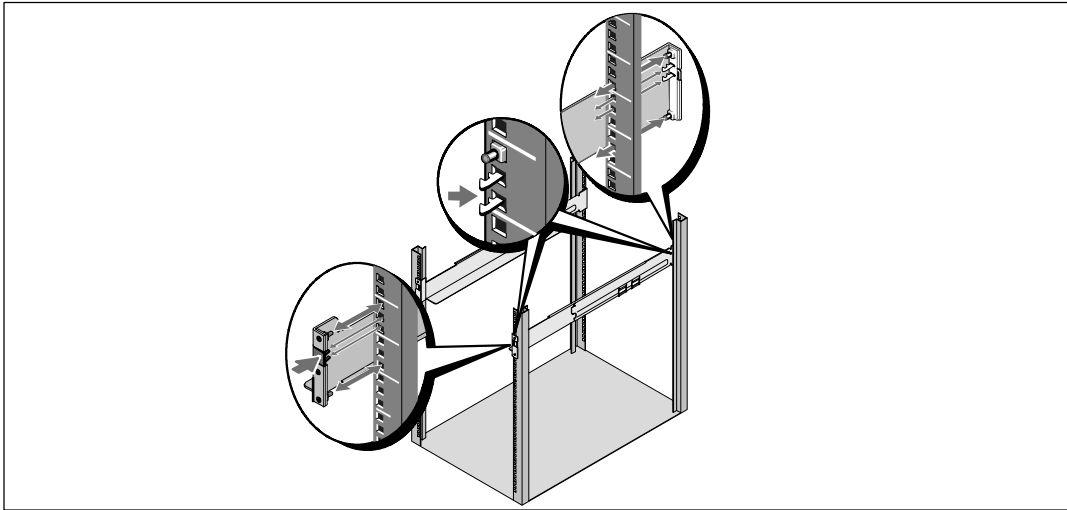
To install the UPS in a rack:



Ensure that the following are placed on a flat, stable surface near the rack where you will install the UPS:

- cabinet
- two UPS accessory boxes
- two battery trays (UPS only)
- two battery retaining brackets (UPS only)

Installing the Rails



- 2 Remove the rails from the rail kit accessory box.
- 3 Select the proper holes in the rail for positioning the cabinet in the desired location in the rack.
Locate the rails at the bottom of the 5U space allocated for the UPS.



CAUTION: If installing an optional EBM, make provision for installing the EBM directly below the UPS with no U space between the UPS and EBM.



NOTE: Observe the labels on the rails for right front (labeled **RIGHT FRONT**) and left front (labeled **LEFT FRONT**). This is the way the rails should be positioned for installation.

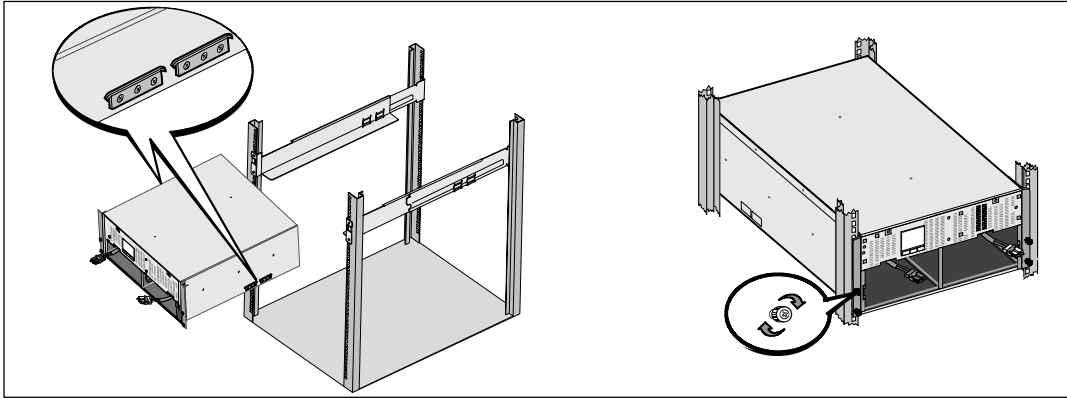
- 4 Position the left and right rails as illustrated. Attach the the left and right rails to the rack:

Engage the back end of the rail until it fully seats on the vertical rack flange and the hook latch locks in place.

Pull the rail just past the front of the rack.

Push the front end of the rail until it fully seats on the vertical rack flange and the hook latch locks in place.

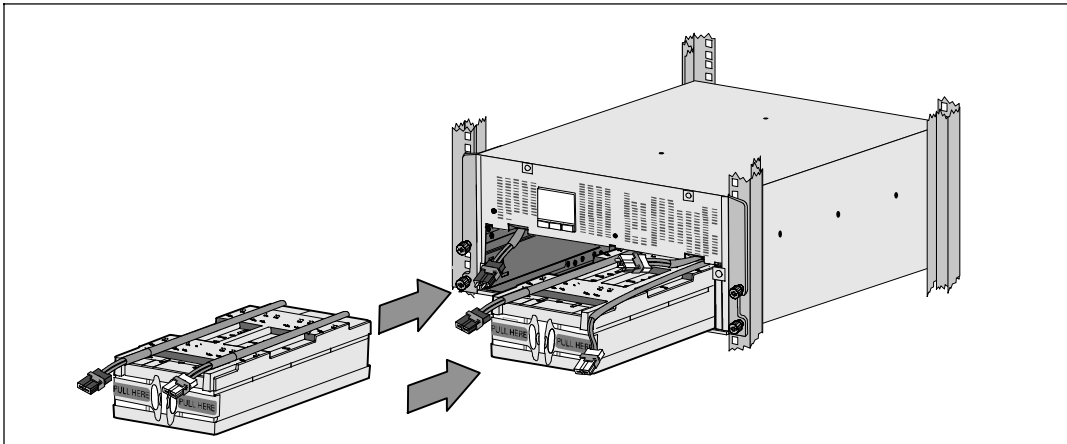
Installing and Securing the Cabinet



⚠ CAUTION: The cabinet is heavy (46 kg/101 lb) with the batteries removed. Lifting the cabinet into the rack requires a minimum of two people.

- 5** Slide the cabinet onto the rails and into the rack.
- 6** Secure the front of the cabinet to the rack using the four thumbscrews on the mounting brackets. Tighten the thumbscrews clockwise by hand; do not use power tools.

Installing the Battery Trays



- 7** Locate the battery trays you placed near the rack.



CAUTION: The batteries are heavy (32 kg/71 lb). Use proper lifting techniques when installing the batteries.



NOTE: The battery trays can be installed in either battery compartment.



NOTE: Insert the tray with the caution label arrow pointing upward.

8

Install the battery trays:

Move the UPS battery connectors at the top of the battery compartment out of the way.

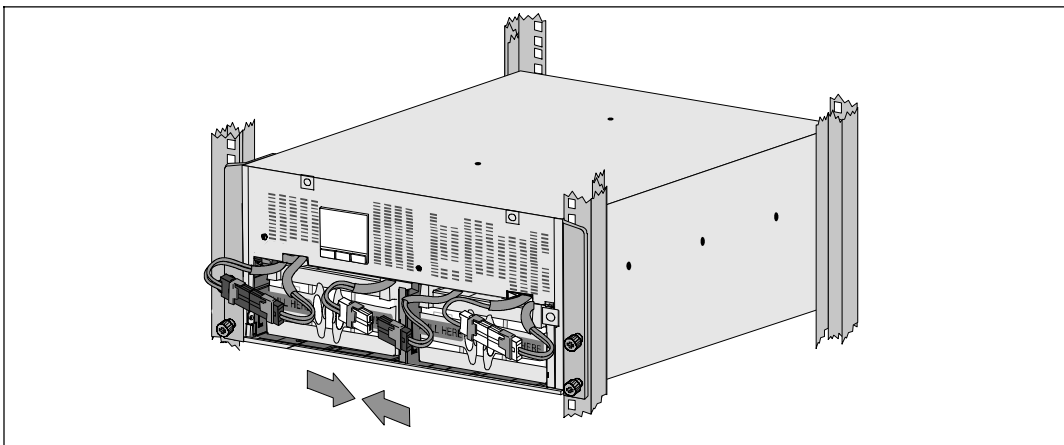
Slide the battery tray into the battery compartment completely.

Repeat to install the second battery tray.

9

Tuck the loop tabs into the plastic sleeve on the front of each battery tray to move them out of the way.

Connecting Internal Battery Connectors



10

Connect the internal battery connectors:

Connect the far-left battery tray connector to the fixed UPS connector. Connect the far-right battery tray connector to the fixed UPS connector.



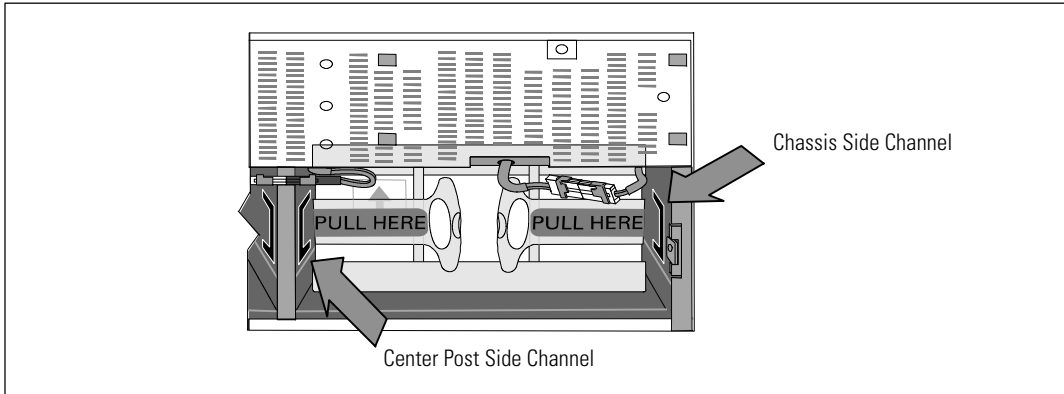
NOTE: A small amount of arcing may occur when connecting the batteries. This is normal and does not damage the unit or present any safety concern.

Locate and connect the battery jumpers located on either side of the center post. Place the connectors on the small shelf at the top of the center post.



NOTE: Connecting the center battery jumpers connects the two battery trays serially.

Replacing the Battery Retaining Brackets



NOTE: The battery retaining brackets are labeled **L** (Left) and **R** (Right) to indicate where they must be installed.

11 Replace the left (**L**) and right (**R**) battery retaining brackets:

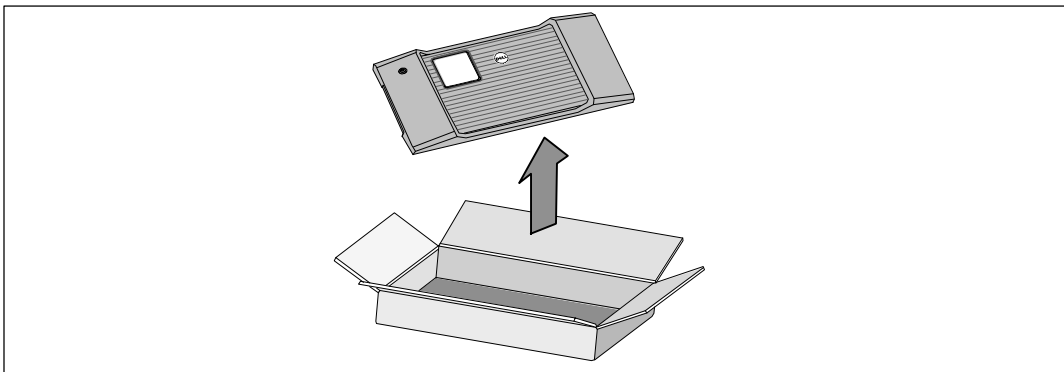
For the first battery retaining bracket, insert the bracket tab into the channel on the side of the center post. Fit the connected battery cables snugly behind the retaining bracket.

Align the end of the battery retaining bracket with the channel on the side of the chassis. Push the bracket until it is firmly seated into the side channel.

Turn the thumbscrew clockwise to secure the bracket.

Repeat to replace the second battery retaining bracket.

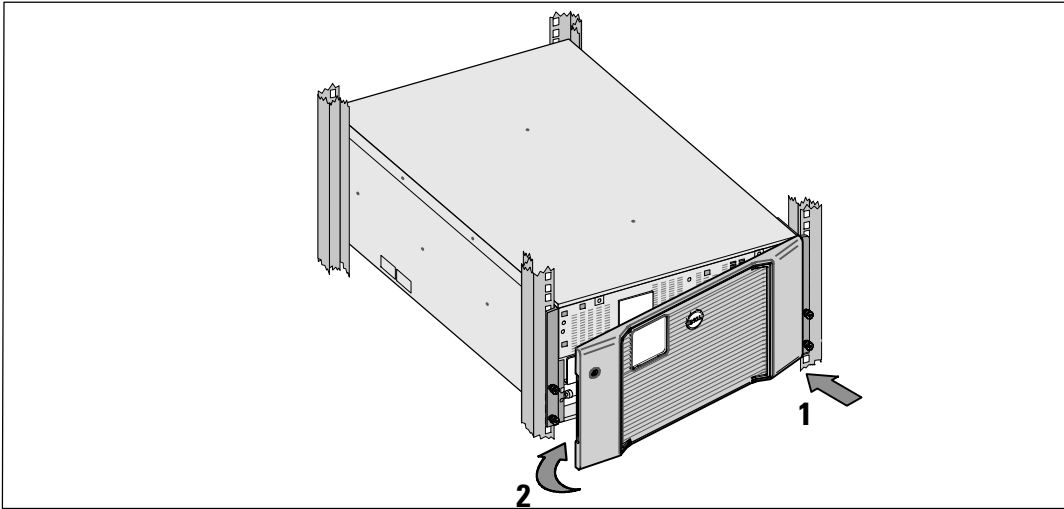
Installing the UPS Front Cover



12 Remove the front cover from the accessory box.



NOTE: Keep the software CD, communication cable, and (if needed) REPO connectors in the accessory box until you install the UPS.



13 Install the UPS front cover:

Align the front cover with the front of the chassis.

Insert the right-side tabs on the front cover into tab openings on the right-side chassis.

Push the left side of the cover forward and snap it to the chassis.



NOTE: Ensure that the LCD panel on the UPS chassis aligns with the LCD window on the front cover before securing the cover to the chassis.


14 Discard or recycle the packaging in a responsible manner, or store it for future use.

Connecting the Equipment

To install the UPS:

1 If you plan to use Dell MUMC and Dell ULNM software, establish communication in one of the following ways:


- using the Dell Network Management Card (if installed)
- using the supplied cable to connect your computer to the USB port

 **NOTE:** For more information about communication options, refer to the *Dell Online Rack UPS 10 kW User's Guide*.

2 If your rack has conductors for grounding or bonding of ungrounded metal parts, connect the ground cable (not supplied) to the ground bonding screw. See “UPS Rear Panels” on page 24 for the location of the ground bonding screw for each of the three models.


3 If an emergency power-off (disconnect) switch is required by local codes, refer to “Installing Remote Emergency Power-off” in the *Dell Online Rack UPS 10 kW User's Guide*.

4 If you are installing an optional EBM, refer to the *Dell Online Rack EBM 10 kW Getting Started Guide* for installation instructions.

 **CAUTION:** If the UPS is stored or used without an EBM, the battery connector cover on the rear panel of the UPS must be installed as a safety precaution.

5 Plug the equipment to be protected into the UPS output receptacles, but do not turn on the protected equipment.

6 Make any necessary provisions for cord retention and strain relief.

 **NOTE:** Verify that the total equipment ratings do not exceed the UPS capacity to prevent an overload alarm.

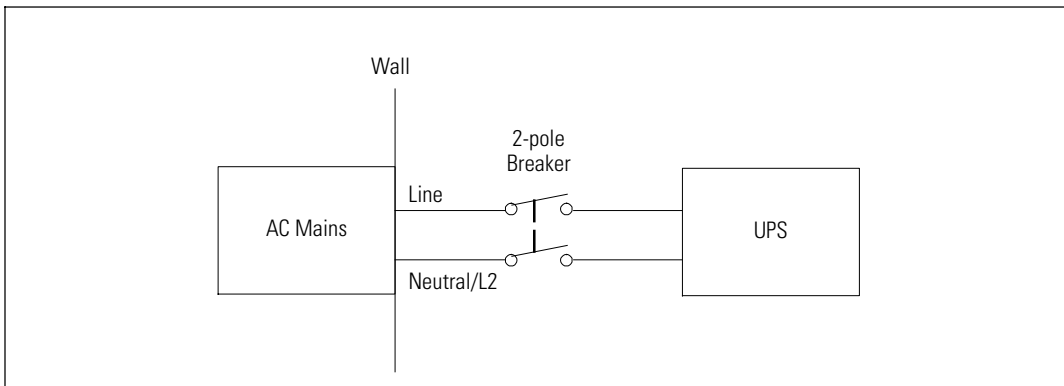
Hardwiring the UPS Input



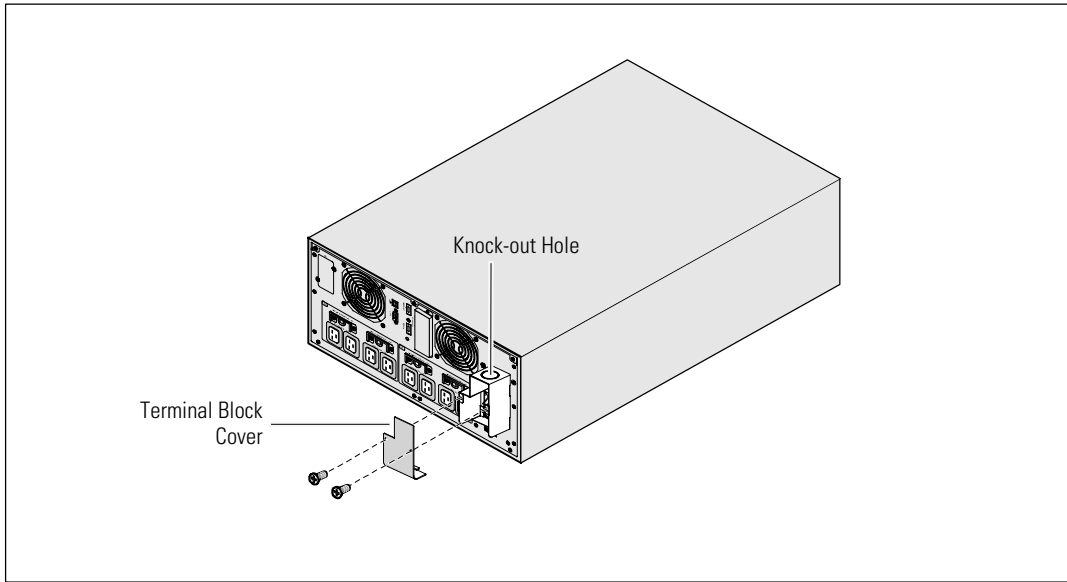
WARNING: Risk of electrical shock. Only qualified service personnel (such as a licensed electrician) shall perform the electrical installation.

The Dell Online Rack hardwired models require a dedicated branch circuit that meets the following requirements:

- Protection device requires a two-pole disconnection device between the UPS input and the mains
- Breaker must be wall-mounted and be readily accessible to the operator
- **For Europe.** Breaker must meet the IEC/EN 60934 standard and at least 3 mm contact air gap
- 200–240 Vac
- Single-phase
- 50/60 Hz
- Flexible metal conduit (recommended for ease of service and maintenance)



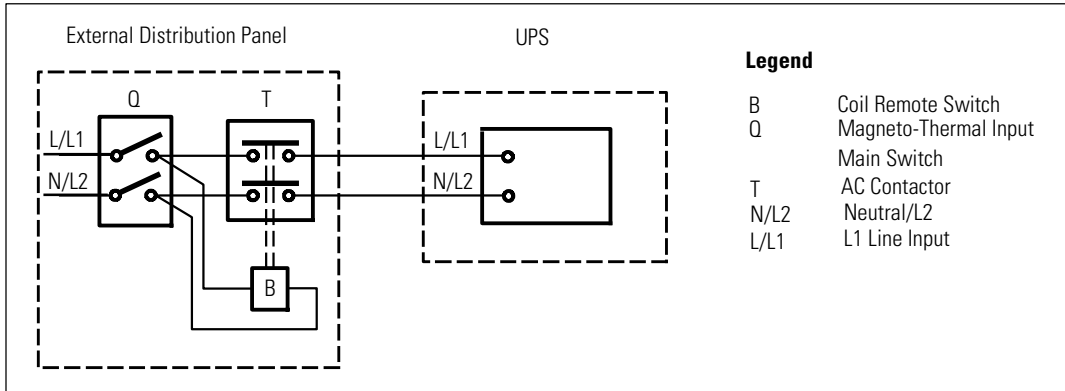
Removing the Terminal Block Cover



- 1** Switch off utility power at the distribution point where the UPS will be connected. Be absolutely sure there is no power.
- 2** Remove the terminal block cover (two screws) and retain.
- 3** Remove the knock-out hole in the terminal block cover for the input conduit. The hole must accommodate 1" or 1.5" (25.4 mm or 38.1 mm) Intermediate Metal Conduit (IMC).



CAUTION: If the UPS does not have an automatic protection device against current backfeed, install an external isolating device. After the device is installed, you must add a warning label with the following wording or the equivalent on the external AC contactor: **RISK OF VOLTAGE BACKFEED.** Isolate the UPS before operating on this circuit, then check for hazardous voltage between all terminals.



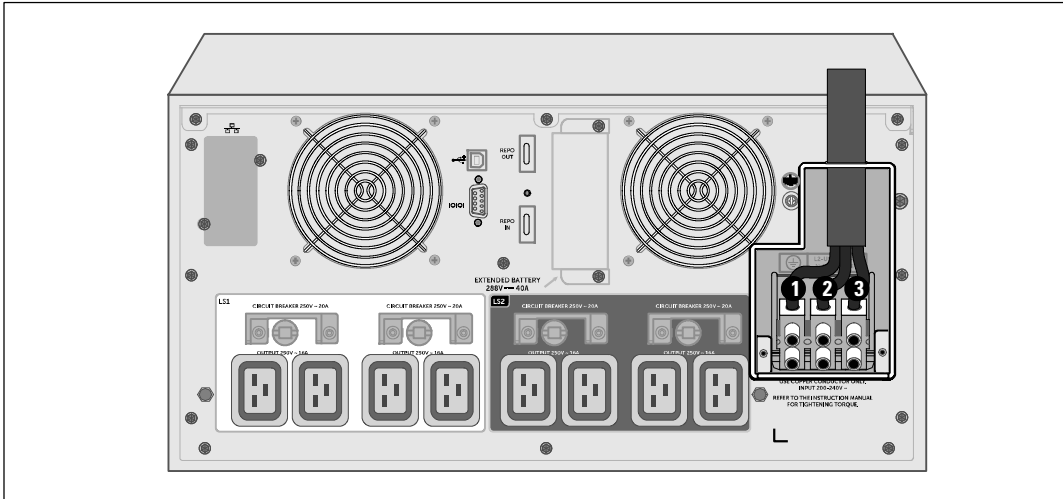
The following table lists backfeed protection devices (AC contactors) that can be used as an external isolating device for backfeed protection. Only use AC contactors listed in the table.

Manufacturer	Type	Rating
ABB France (E12527)	A75-30	220–240 Vac, 105A 25 HP at 208V, 30HP at 240V
Tianshui 213 Electrical Apparatus Co., Ltd. (E203071) (alternative)	GSC1(CJX4-d)-6511	220–240 Vac, 68A 25 HP
Tianshui 213 Electrical Apparatus Co., Ltd. (E203071) (alternative)	GSC1(CJX4-d)-8011	220–240 Vac, 80A 30 HP



NOTE: Although the UPS does not contain anti-backfeed (ABF) relays, some backfeed protection is provided. For example, if some components are damaged in battery mode, the output voltage may feed back to the input. In this case, a current transformer (CT) is used to detect the bypass current feedback voltage. If a current backfeed fault condition is detected, the UPS will terminate the inverter output to avoid the personal injury.

Installing the Input and Ground Wires



- 4 Pull the input wire through the conduit, leaving approximately 2 ft (0.5m) of exposed wire. Attach a flexible metal fitting to the end of the conduit.
- 5 Insert the conduit through the wiring access entry and attach the conduit fitting to the panel. Strip 0.5" (1.5 cm) of insulation from the end of each incoming wire.
- 6 Connect the input and ground wires to the terminal block according to the UPS Wiring Specifications in the following table.

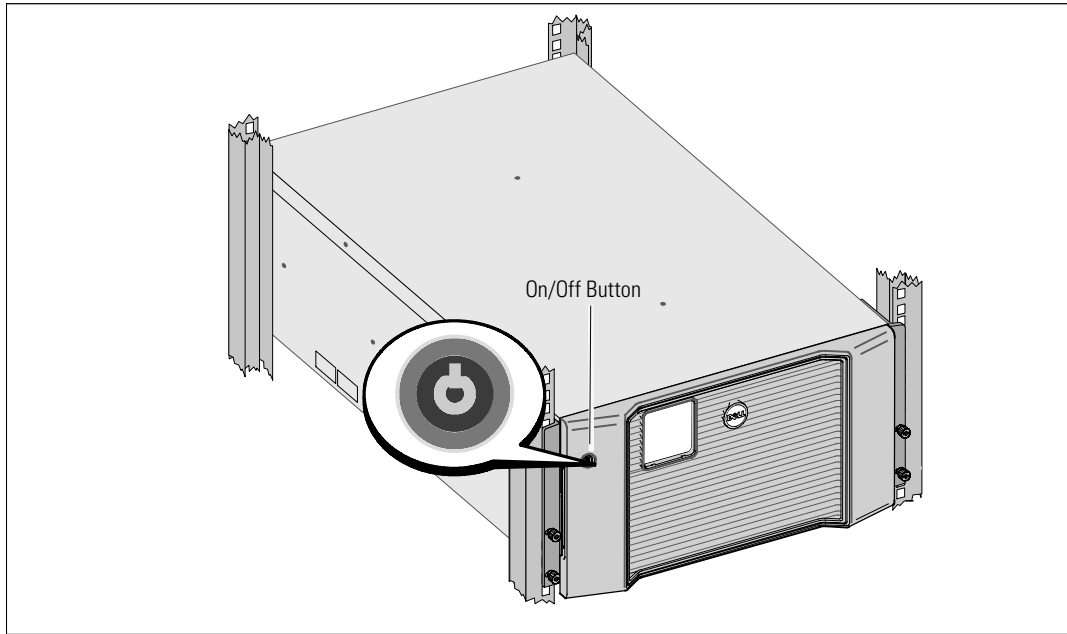
Wire Function	Terminal Position	UPS Wire Function	Terminal Wire Size Rating*	Tightening Torque
Input	1	Input Ground	16–35 mm ² (8–2 AWG)	1.7 Nm (15 lb-in)
	2	L2/Neutral In		
	3	L1 In		

* Use a minimum:

- 8 AWG for equipment grounding wire, 75°C copper wire minimum
- 4 AWG for input line and neutral wires, 75°C copper wire minimum

- 7 Replace the terminal block cover.

Starting the UPS



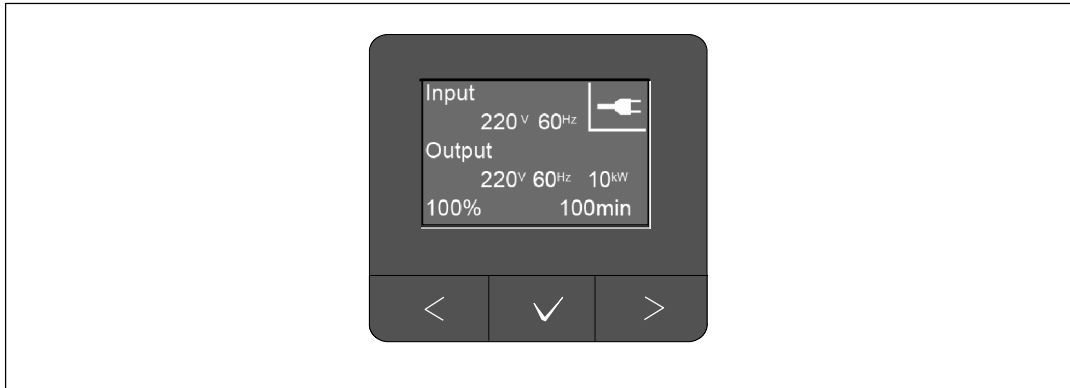
To start up the UPS:

- 1 Verify that the internal batteries are connected.
- 2 If an optional EBM is installed, verify that the EBM is connected to the UPS. Refer to the *Dell Online Rack EBM 10 kW Getting Started Guide* for more information.
- 3 Verify that all load segment circuit breakers are in the ON position.
- 4 Switch the main utility breaker on.

The UPS LCD panel display illuminates. The Dell startup screen changes to the UPS status summary screen. The UPS front panel display shows the flashing Standby icon .


- 5 Press the On/Off button on the UPS front panel.

After the startup is complete, the status changes according to the UPS operating mode.



- 6 On the UPS status summary screen, press the > button to check for active alarms or notices. Resolve any active alarms before continuing. See “Troubleshooting” in the *Dell Online Rack UPS 10 kW User's Guide*.

If there are no active alarms, a “No Active Alarms” message appears.

- 7 Verify that the Normal icon  appears on the UPS status summary screen, indicating that the UPS is operating normally and any loads are powered.

- 8 Refer to the *Dell Online Rack UPS 10 kW User's Guide* for the following:


- For configuration procedures if an optional extended battery module (EBM) is installed
- To set the date and time and to change other factory-set defaults


- 9 If you installed an optional REPO, test the REPO function:


Activate the external REPO switch. Verify the status change on the UPS display.


Deactivate the external REPO switch and restart the UPS.

- 10 Charge the batteries.

 **NOTE:** The internal batteries charge to 90% capacity in less than three hours. However, you must charge the batteries for 48 hours after installation or long-term storage.

 **CAUTION:** To prevent an UPS overload condition, connect one load at a time and make sure that each protected device starts up completely before you connect the next load.

 **NOTE:** Dell recommends setting the date and time for troubleshooting or warranty purposes.

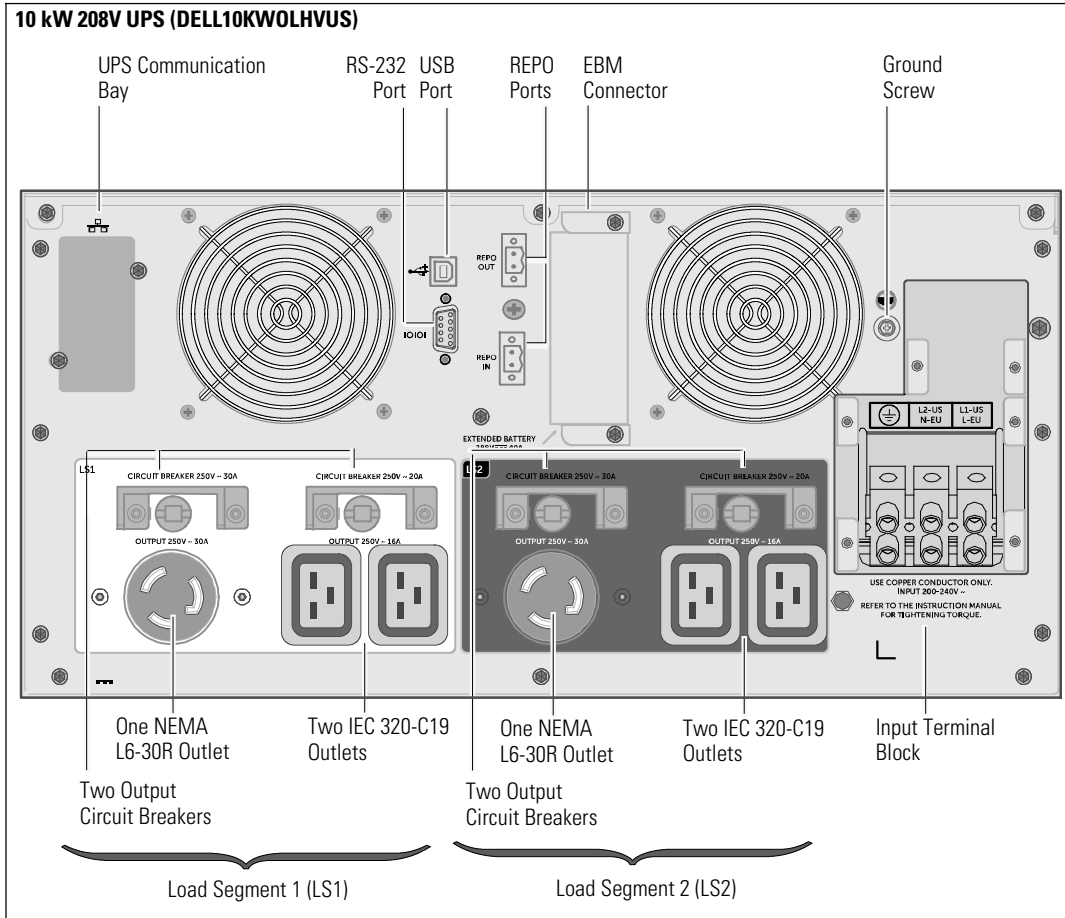
 **NOTE:** At initial startup, the UPS sets system frequency according to input line frequency (input frequency auto sensing is enabled by default). After initial startup, auto sensing is disabled until you manually enable it by using the output frequency setting.



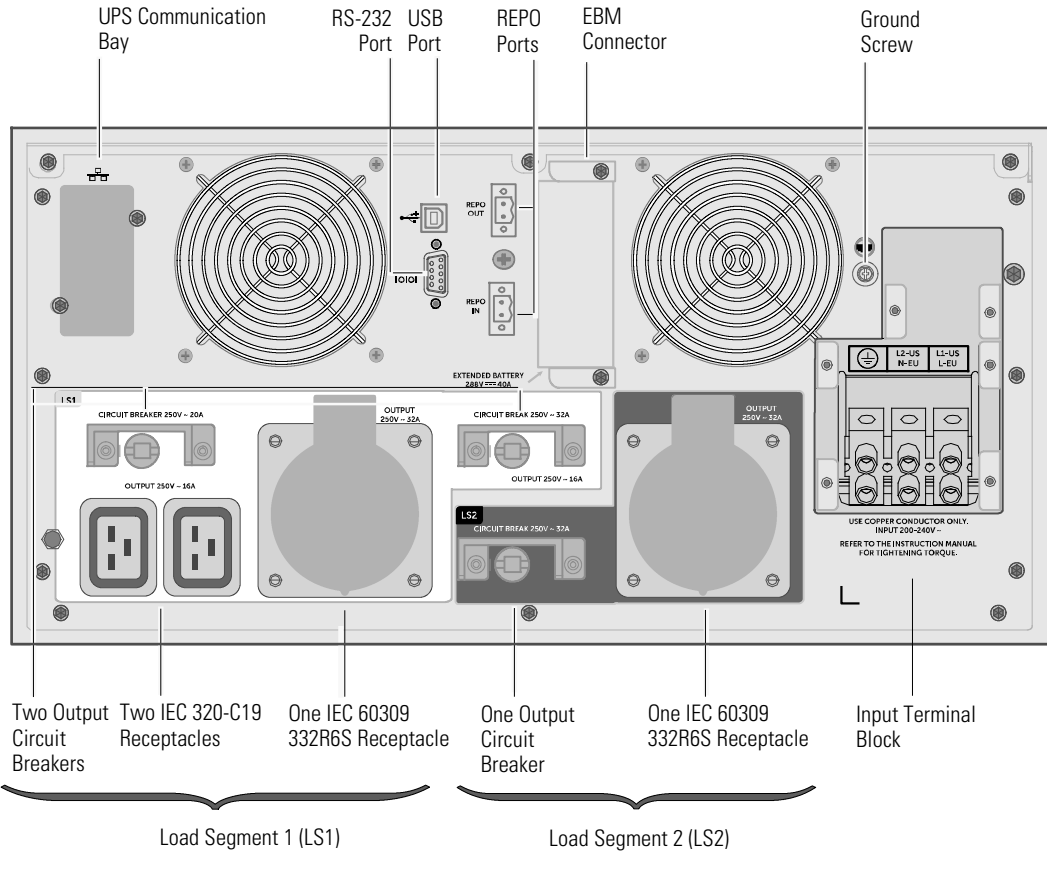
NOTE: At initial startup, input voltage auto sensing is enabled by default. After the subsequent startup, auto sensing is disabled until you manually enable it by using the output voltage setting.

Identifying the UPS Rear Panels

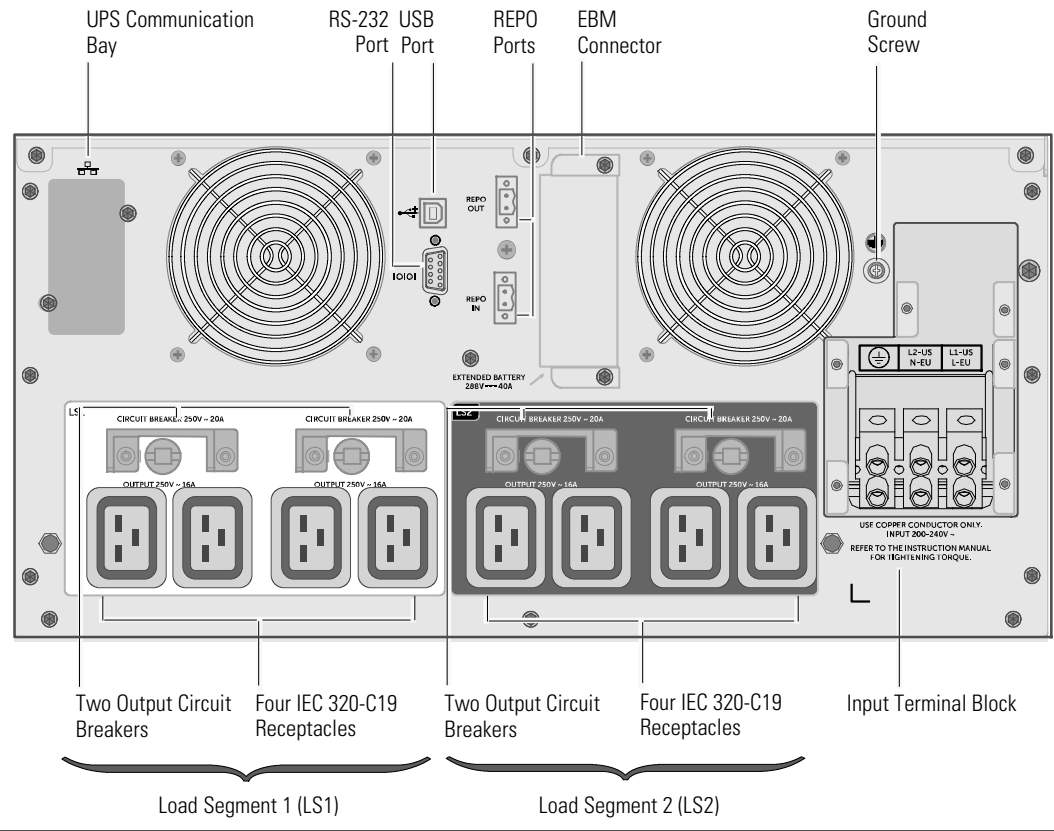
This section illustrates the rear panels of the three Dell Online Rack 10 kW UPS model options.



10 kW 230V UPS (DELL10KWOLHV)



10 kW 230V UPS (DELL10KWOLHVB)








Onduleur en baie en ligne Dell™ 10 kW

Démarrer Avec Votre Système

DELL10KWOLHVUS, DELL10KWOLHV, DELL10KWOLHVB
DELL10KWEBM



Remarques et avertissements

-  **REMARQUE** : Une REMARQUE signale des informations importantes qui vous aident à mieux utiliser le logiciel.
-  **DANGER** : Un DANGER indique une situation dangereuse imminente qui, si elle n'est pas évitée, provoquera la mort ou une blessure grave.
-  **AVERTISSEMENT** : Un AVERTISSEMENT signale une situation dangereuse potentielle qui risque de provoquer la mort ou une blessure si elle n'est pas évitée.
-  **ATTENTION** : Une MISE EN GARDE signale une situation dangereuse potentielle susceptible de provoquer une blessure mineure ou modérée ou des dommages matériels si elle n'est pas évitée.
-  **DANGER** : Respectez l'instruction suivante visant à empêcher toute situation dangereuse qui, si elle n'est pas évitée, peut provoquer la mort ou des blessures graves :
- Ce SAI contient des **TENSIONS MORTELLES**. Toute tâche concernant une réparation ou l'entretien doit **UNIQUEMENT ÊTRE EFFECTUÉE PAR UN PERSONNEL D'ENTRETIEN AGRÉÉ**. Aucune pièce à l'intérieur de cet onduleur ou EBM **NE PEUT ÊTRE ENTRETENUE PAR L'UTILISATEUR**.

Les informations contenues dans ce document sont susceptibles d'être modifiées sans préavis.

© 2012 Dell Inc. Tous droits réservés.

La reproduction de ce document de quelque manière que ce soit est strictement interdite sans l'autorisation écrite de Dell Inc.

Marques commerciales utilisées dans ce texte : *Dell* et le logo *DELL* sont des marques commerciales de Dell Inc.

ENERGY STAR est une marque déposée de l'U.S. Environmental Protection Agency.

D'autres marques et appellations commerciales peuvent être utilisées dans le présent document en référence à des entités qui revendiquent ces marques et appellations, ou leurs produits. Dell Inc. dément tout intérêt de propriété industrielle pour les marques déposées et les appellations commerciales autres que celles lui appartenant.

Décembre 2012

Caractéristiques du système

Offrant une fiabilité et des performances remarquables, les avantages uniques de l'onduleur comprennent :


- Conception en ligne avec sortie sinusoïdale pure.
- Véritable technologie en ligne double-conversion avec haute densité de puissance, indépendance de la fréquence du secteur, et compatibilité avec groupe électrogène.
- La régulation de tension Buck et Boost qui assure une tension régulée à votre charge en corrigeant les fluctuations de tension.
- L'onduleur filtre et régule le courant CA entrant et fournit un courant constant à votre équipement sans épuiser la batterie.
- Mode de fonctionnement haute performance sélectionnable.
- Hauteur de l'onduleur 5U.
- Capacité de démarrage sur batterie pour alimenter l'onduleur même si le courant du secteur n'est pas disponible.
- L'entretien est simplifié en permettant le remplacement sans danger des batteries sans mettre l'onduleur hors tension.
- Les informations de la plaque de service Dell sont consultables sur l'écran LCD du panneau avant.
- Autonomie étendue avec un Extended Battery Module (EBM) en option.
- Commande d'arrêt d'urgence par les ports d'arrêt d'urgence à distance (REPO).
- Deux ports de communication standard (port série RS-232 et USB).
- Dell Network Management Card en option (également appelée NMC) avec des capacités de communication renforcées pour une protection et un contrôle accru de l'alimentation électrique.
- Environmental Monitoring Probe (EMP) en option, pour collecter les mesures de température et d'humidité dans l'environnement du châssis et surveiller les données environnementales à distance. Vous pouvez également collecter et extraire l'état de deux dispositifs de contact fournis par l'utilisateur.
- Gestion avancée de l'alimentation électrique avec les applications logicielles Web Dell™ Multi-UPS Management Console (MUMC) and Dell™ UPS Local Node Manager (ULNM) pour des coupures progressives et la surveillance de l'alimentation.
- Arrêt séquentiel et gestion de charge par des groupes de prises séparés appelés « segments de charge ».
- Micrologiciel qui peut être facilement mis à niveau sans appeler le service technique.
- Certifié par des approbations d'organismes mondiaux.
- ENERGY STAR® certifié UPS.



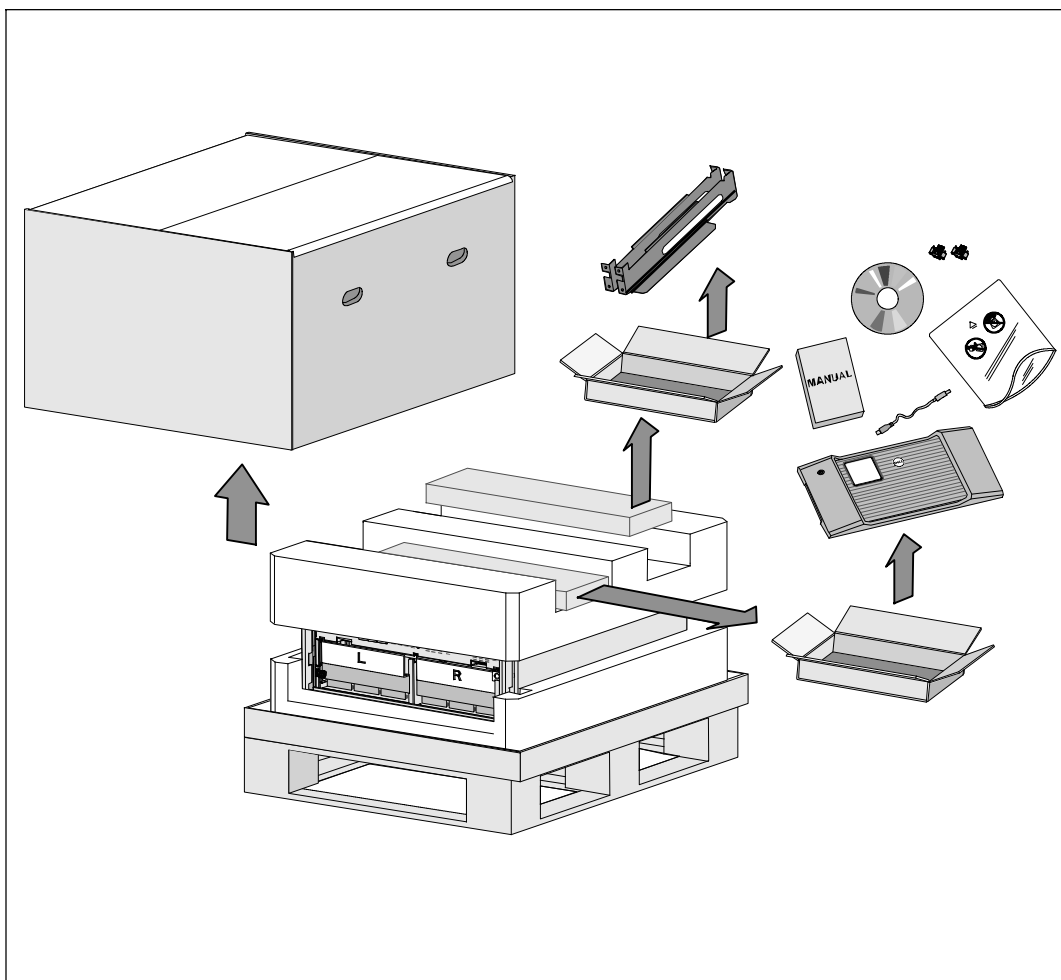
Recherche d'informations



ATTENTION : Le document *Informations relatives à la sécurité, à l'environnement et à la réglementation* fournit des informations importantes sur la sécurité et la réglementation.

Que recherchez-vous ?	Trouvez-le ici
<ul style="list-style-type: none">• Le guide de l'utilisateur de mon onduleur• Le guide de l'utilisateur de la Dell Network Management Card• Guide de l'utilisateur de Dell MUMC and Dell ULNM	<p>Disque de l'onduleur Dell</p>  <p>REMARQUE : La documentation et les mises à jour des logiciels sont disponibles sur www.support.dell.com et www.dellups.com.</p>
<ul style="list-style-type: none">• Spécifications• Comment configurer les paramètres de l'onduleur• Comment identifier et résoudre des problèmes• Comment installer un contrôle REPO	<p>Guide d'utilisateur de l'onduleur Dell</p> <p>Le guide de l'utilisateur est disponible sur le disque de l'onduleur Dell et sur www.support.dell.com.</p>
<ul style="list-style-type: none">• Instructions relatives à la sécurité• Informations sur la réglementation• Informations sur le recyclage	<p>Informations relatives à la sécurité, à l'environnement et à la réglementation</p>
<ul style="list-style-type: none">• Informations sur la garantie• Termes et conditions (États-Unis uniquement)• Contrat de licence de l'utilisateur final	<p>Informations sur l'assistance et la garantie Dell</p>
<ul style="list-style-type: none">• Informations sur l'assistance	<p>Site Internet d'assistance Dell – www.support.dell.com</p> <p>REMARQUE : sélectionnez votre région ou votre secteur d'activité pour localiser le site d'assistance approprié.</p>

Installation et démarrage



⚠ ATTENTION : Avant de réaliser les opérations mentionnés dans le présent document, veuillez lire et restecter les instructions de sécurité et les normes en vigueur spécifiées dans votre document *Informations relatives à la sécurité, à l'environnement et à la réglementation*.

⚠ ATTENTION : Déballer l'armoire dans un environnement à basse température risque de produire de la condensation à l'intérieur et sur le module. N'installez pas l'armoire tant que l'intérieur et l'extérieur n'en sont pas absolument secs (risque de choc électrique).

⚠ ATTENTION : L'installation ou le retrait des plateaux de batteries doivent être réalisés ou supervisés par du personnel qualifié en matière de batteries et des précautions requises. Maintenir le personnel non autorisé loin des batteries.

⚠ ATTENTION : Le module est lourd (99 kg/218 lb) : Retirez toujours les deux plateaux de batteries de l'onduleur avant de soulever le module. Soulever le module dans la baie exige deux personnes au minimum.

⚠ ATTENTION : Les batteries sont lourdes (32 kg/71 lb). Utilisez les méthodes de levage appropriées lors du retrait des batteries.

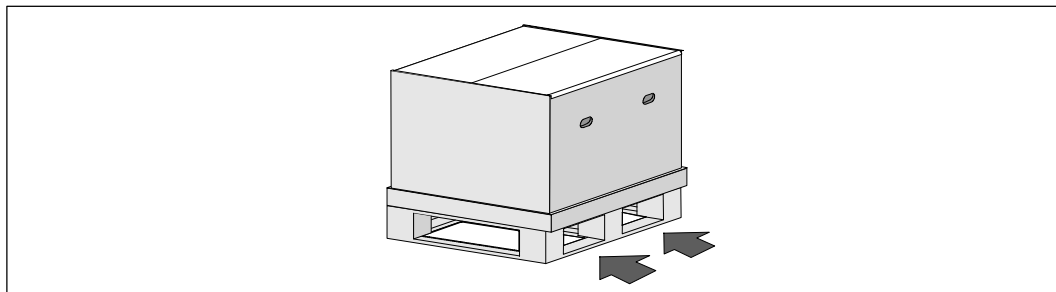
✍ REMARQUE : Veillez à déplacer et à ouvrir le carton avec précaution. Laissez les composants dans leurs emballages jusqu'à ce que tout soit prêt pour l'installation.

Cette section décrit les étapes de configuration de votre système pour la première fois.

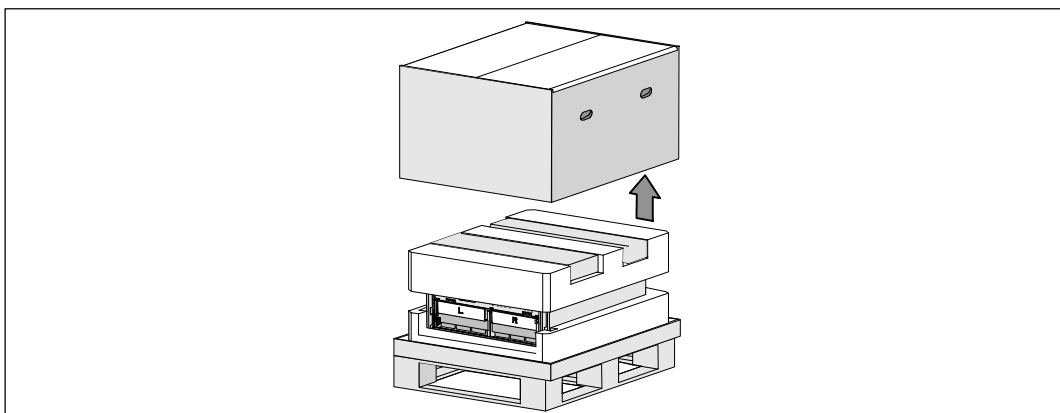
Déballage du module

Pour déballer le système :

- 1** À l'aide d'un chariot élévateur ou d'une transpalette électrique, déplacez le carton d'expédition et la palette près de la baie où vous allez installer l'onduleur.




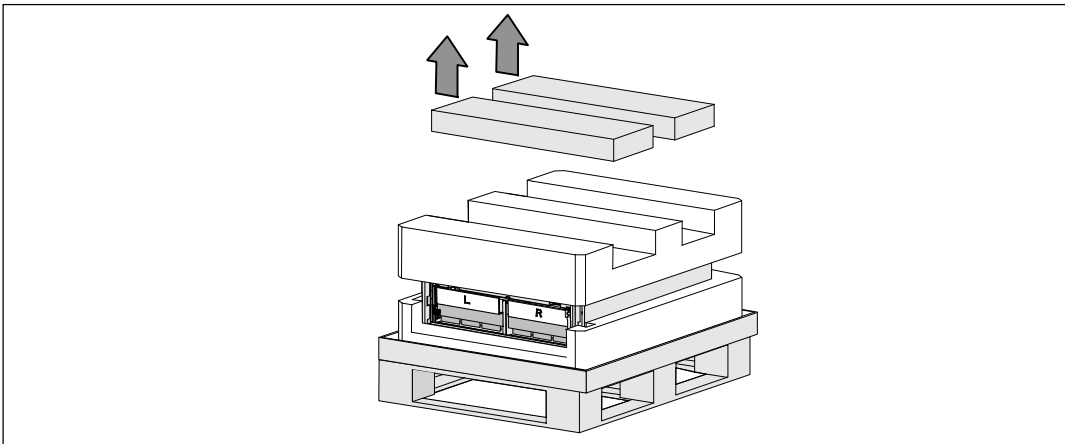
- 2** Dégagez et retirez le carton extérieur.



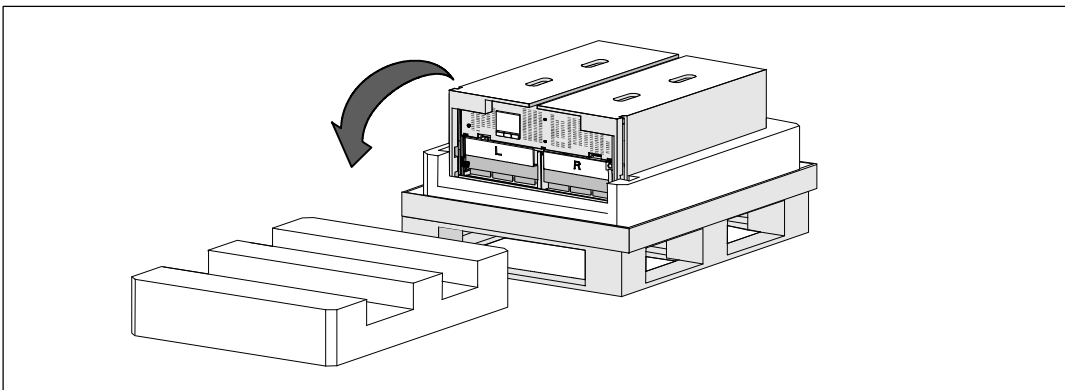
3 Retirez les deux boîtes d'accessoires installées dans la partie principale en mousse de polystyrène.

4 Ouvrez les boîtes d'accessoires et posez-les à proximité, sur une surface plane.

 **REMARQUE :** Le *Guide de l'utilisateur de l'onduleur en baie en ligne Dell 10 kW* décrit les procédures de déballage et d'installation. Pour le consulter, ôtez-le de la boîte d'accessoires avant de poser les boîtes d'accessoires à côté.



5 Retirez la partie principale en mousse de polystyrène, puis posez-la sur une surface plane et stable à proximité.





REMARQUE : Les supports de fixation de batterie sont marqués **L** (gauche) et **R** (droit) pour désigner leurs emplacements respectifs.

6

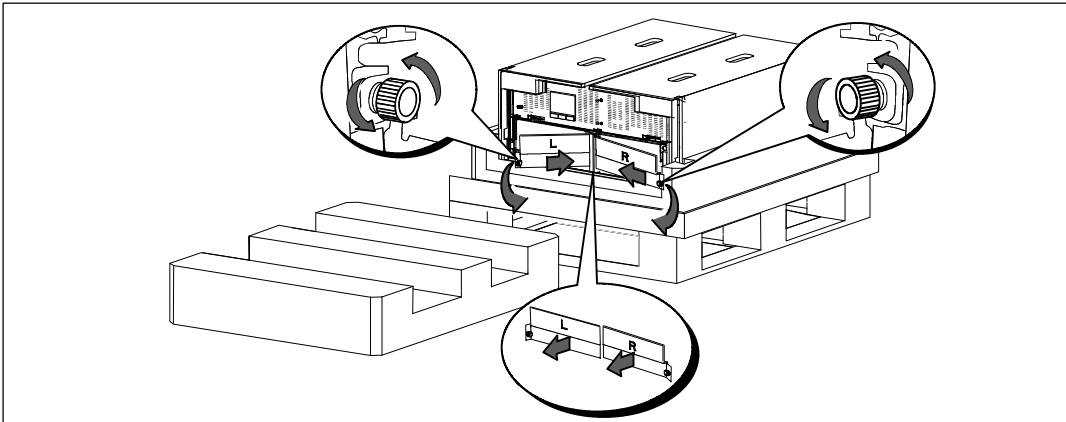
Retirez les deux supports de fixation de l'onduleur :

Repérez le support de fixation gauche (marqué **L**). Du côté gauche du châssis, faites pivoter la vis à oreilles dans le sens inverse des aiguilles d'une montre pour libérer le support de fixation gauche.

Poussez le support vers la tige centrale pour l'extraire du châssis. Orientez le support vers vous, puis tirez-le vers la gauche pour l'extraire. Posez le support sur le côté.

Repérez le support de fixation droit (marqué **R**). Du côté droit du châssis, faites pivoter la vis à oreilles dans le sens inverse des aiguilles d'une montre pour libérer le support de fixation droit.

Poussez le support vers la tige centrale pour l'extraire du châssis. Orientez le support vers vous, puis tirez-le vers la droite pour l'extraire. Posez le support sur le côté.



7

Veillez à débrancher tous les connecteurs de batterie.



ATTENTION : Les batteries sont lourdes (32 kg/71 lb). Utilisez les méthodes de levage appropriées lors du retrait des batteries.

8

Retirez les plateaux des batteries de l'onduleur :

Enlevez les connecteurs de batterie de l'onduleur débranchés vers le haut du compartiment afin qu'ils ne gênent pas.

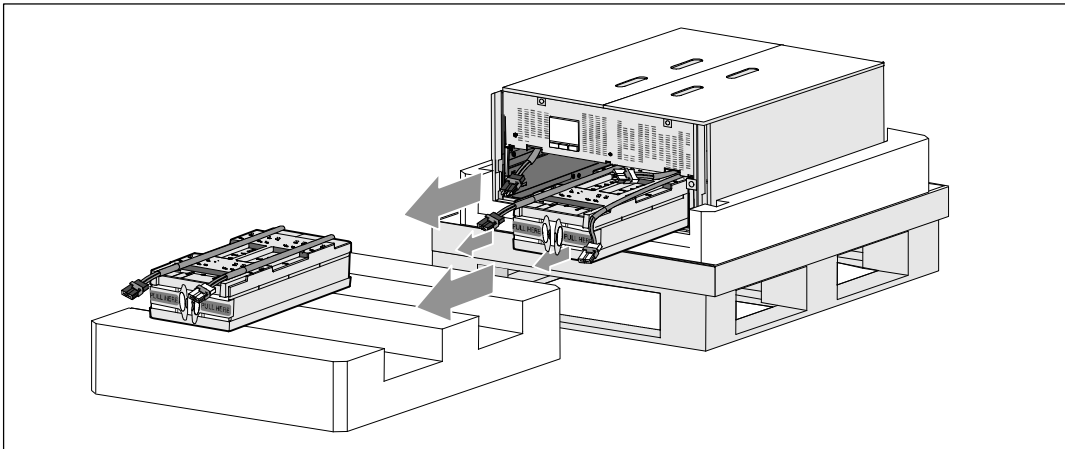
Saisissez les deux languettes en plastique sur la partie avant du plateau. Tirez le plateau vers vous pour l'extraire.



REMARQUE : Les étiquettes orange **TIRER ICI** indiquent où saisir les languettes.

Posez le plateau sur la partie en mousse de polystyrène retirée de la partie supérieure de l'onduleur.

Répétez cette opération pour le deuxième plateau.

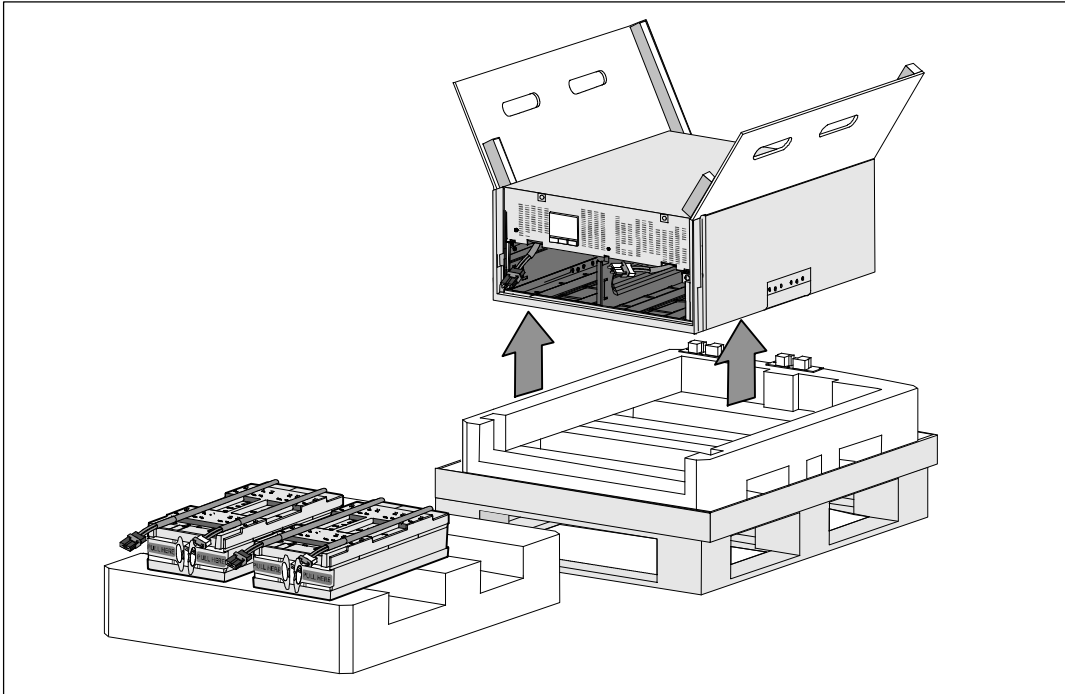




ATTENTION : le module est lourd (46 kg/101lb) lorsque les batteries sont retirées. Le retrait du module du carton d'expédition requiert au moins deux personnes.

9

Avec une personne de chaque côté, levez soigneusement le module hors de la mousse de polystyrène en utilisant les poignées du carton.



10

Posez le module sur une surface plane et stable dans une zone protégée près de la baie où vous allez l'installer.



REMARQUE : Assurez-vous que cette zone est bien aérée et exempte d'humidité, de gaz inflammable et de corrosion.

Configuration en baie



ATTENTION : Le module est lourd (99 kg/218 lb). Retirez toujours les deux plateaux de batteries de l'onduleur avant de soulever le module et d'installer l'onduleur sur les rails de la baie. Le levage des modules pour les positionner dans la baie exige deux personnes au minimum.



ATTENTION : L'installation ou le retrait des batteries doivent être réalisés ou supervisés par du personnel qualifié en matière de batteries et des précautions requises. Maintenir le personnel non autorisé loin des batteries.



ATTENTION : Les batteries sont lourdes (32 kg/71 lb). Utilisez les méthodes de levage appropriées lors du retrait des batteries.



ATTENTION : Si vous installez un EBM en option, le EBM doit être placé sous l'onduleur sans espace U entre l'onduleur et le EBM. Cette opération offre une meilleure répartition du poids dans la baie, simplifie l'accès au panneau de commande de l'onduleur et l'acheminement des connexions des câbles de batterie. Cela empêche également l'introduction d'un câble entre le cordon du EBM et la connexion de l'onduleur et les éventuelles pannes de raccordement.



AVERTISSEMENT : Pour les systèmes montés en baie : Lorsque plusieurs systèmes sont montés dans une baie, complétez toutes les procédures du système actuel avant d'essayer d'installer le système suivant.



REMARQUE : Des rails de fixation sont exigés pour chaque module individuel.



REMARQUE : Le module est fourni sans le panneau du couvercle avant fixé.



REMARQUE : Les instructions suivantes sont les mêmes pour les baies à trous carrés et les baies à trous ronds non filetés. Les rails s'adaptent aux deux types de baies.

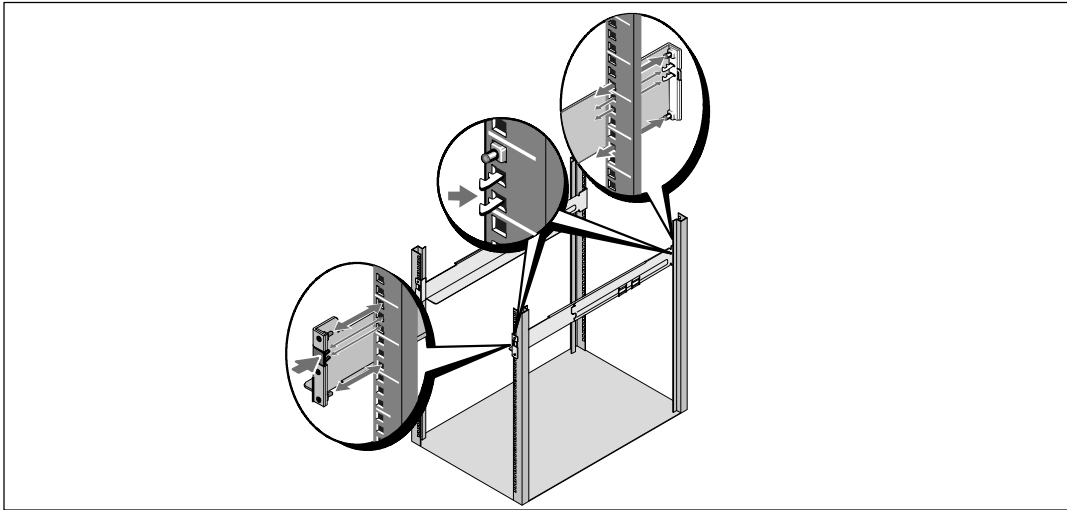
Pour installer l'onduleur dans une baie :



Veillez à poser les éléments suivants sur une surface plane et stable à proximité de la baie où vous allez installer l'onduleur :

- le module
- les deux boîtes d'accessoires de l'onduleur
- les deux plateaux de batterie (onduleur seulement)
- les deux supports de fixation de batterie (onduleur seulement)

Installation des rails



- 2 Enlevez les rails de la boîte d'accessoires du kit de rails.
- 3 Sélectionnez les trous appropriés dans le rail pour positionner le module à l'emplacement souhaité dans la baie.

Placez les rails en bas de l'espace 5U destiné à l'onduleur.



ATTENTION : Si vous installez un EBM en option, prenez les dispositions pour installer directement le EBM sous l'onduleur sans espace U entre l'onduleur et le EBM.



REMARQUE : Repérez les étiquettes correspondant au rail droit (**RIGHT FRONT**) et au rail gauche (**LEFT FRONT**). Les rails devraient être placés ainsi pour l'installation.

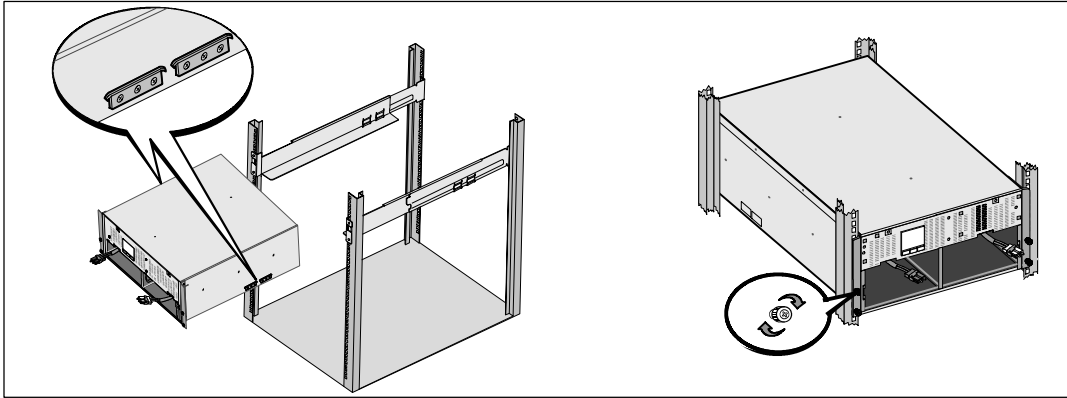
- 4 Positionnez les rails gauche et droit comme sur le schéma. Reliez les rails gauche et droit à la baie :

Emboîtez l'extrémité arrière du rail jusqu'à ce qu'il soit totalement en place sur le bord vertical de la baie et que le loquet du crochet soit en place.

Tirez le rail en position juste après l'avant de la baie.

Poussez l'extrémité avant du rail jusqu'à ce qu'il soit totalement en place sur le bord vertical de la baie et que le loquet du crochet soit enclenché.

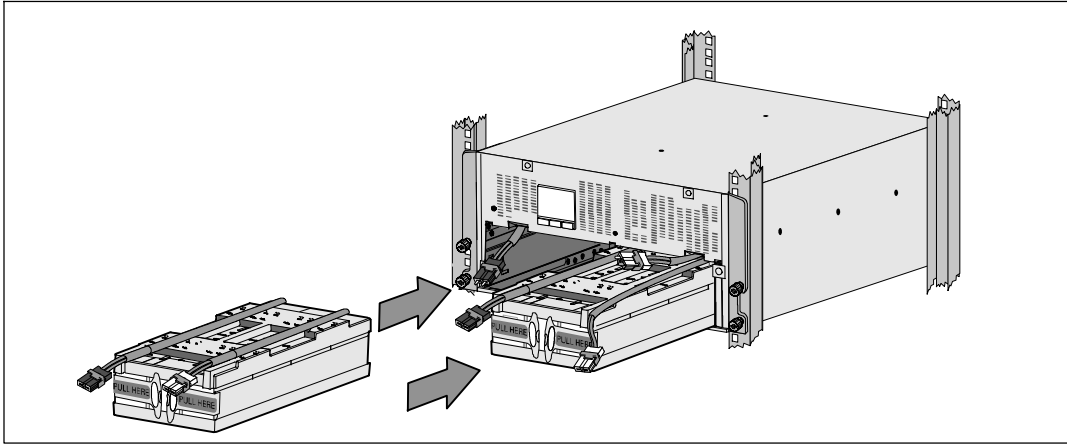
Installation et Fixation du Module



⚠ ATTENTION : le module est lourd (46 kg/101lb) lorsque les batteries sont retirées. Soulever e module dans la baie exige deux personnes au minimum.

- 5** Faites glisser le module sur les rails et dans la baie.
- 6** Fixez l'avant du module sur la baie en utilisant les quatre vis à oreilles sur les supports de montage. Serrez manuellement les vis à oreilles dans le sens des aiguilles d'une montre. N'utilisez pas d'outils mécaniques.

Installation des Plateaux de Batteries



7 Repérez les plateaux des batteries que vous avez placés à côté de la baie.



ATTENTION : Les batteries sont lourdes (32 kg/71 lb). Utilisez les méthodes de levage appropriées lors de l'installation des batteries.



REMARQUE : Les plateaux des batteries peuvent être installés dans l'un des deux compartiments correspondants.



REMARQUE : Insérez le plateau avec la flèche d'avertissement vers le haut.

8 Installez les plateaux de batteries :

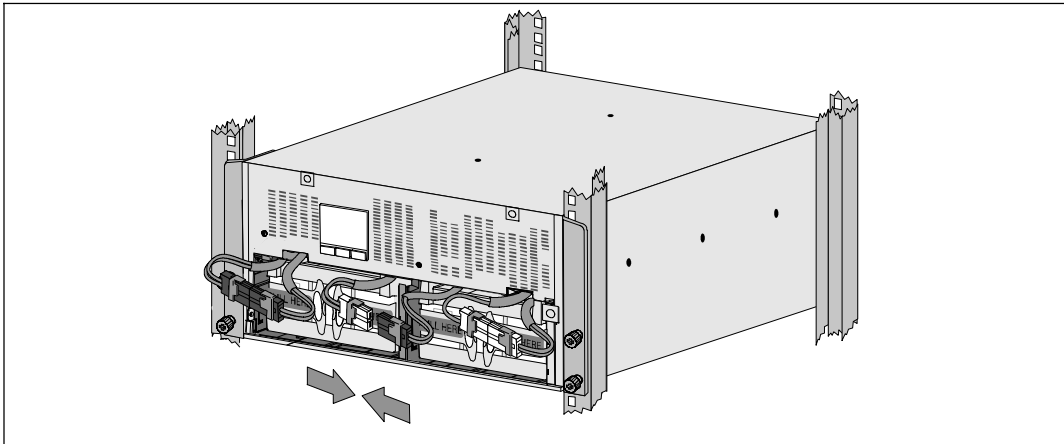
Enlevez les connecteurs de batterie de l'onduleur vers le haut du compartiment afin qu'ils ne gênent pas.

Faites complètement glisser le plateaux de batteries dans le compartiment.

Répétez cette procédure pour installer le deuxième plateau.

9 Insérez les languettes dans la gaine en plastique à l'avant de chaque plateau de manière à les dégager.

Branchements des connecteurs de batterie interne



10 Branchez les connecteurs internes des batteries :

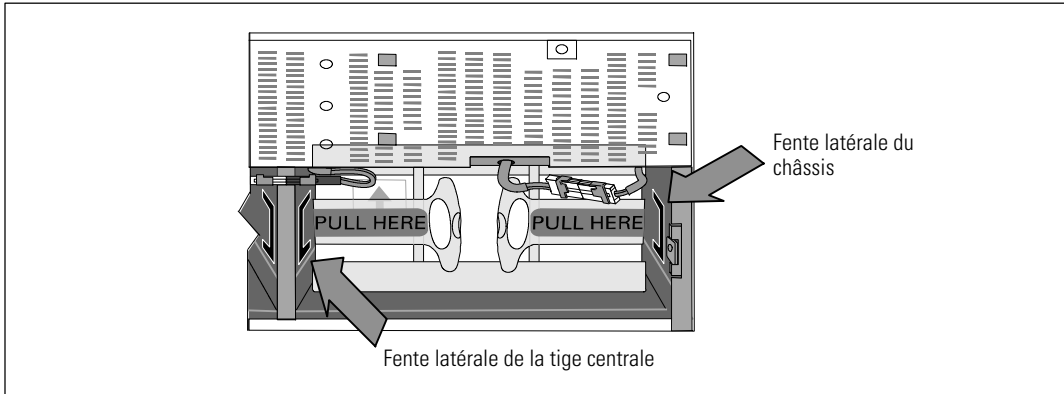
Branchez les connecteurs du plateau à l'extrémité gauche au connecteur fixe de l'onduleur. Branchez les connecteurs du plateau à l'extrémité droite au connecteur fixe de l'onduleur.

REMARQUE : Un petit arc électrique peut survenir lors du branchement des batteries. Ceci est normal, n'endommage pas l'unité et ne pose aucun problème de sécurité.

Repérez et connectez les cavaliers de batterie sur chaque côté de la tige centrale. Placez les connecteurs sur le petit support en haut de la tige centrale.

REMARQUE : La connexion des cavaliers de batterie centraux permet la connexion en série des deux plateaux.

Remplacement du support de fixation des batteries



REMARQUE : Les supports de fixation de batterie sont marqués **L** (gauche) et **R** (droit) pour désigner leurs emplacements respectifs.

11 Remettez en place les supports de fixation de batterie gauche (**L**) et droit (**R**) :

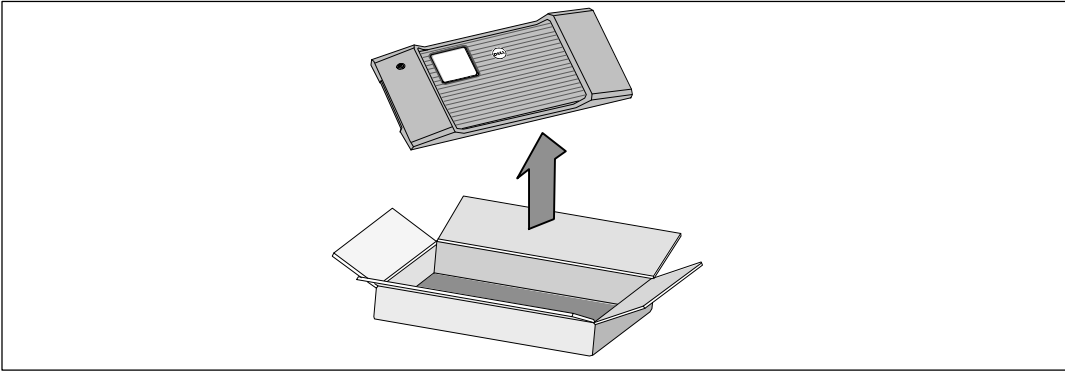
Pour le premier support de fixation des batteries, insérez la languette du support dans la fente située sur le côté de la tige centrale. Installez soigneusement les câbles de batterie connectés derrière le support de fixation.

Alignez l'extrémité du support de fixation de batterie avec la fente située sur le côté du châssis. Poussez le support jusqu'à ce qu'il s'enclenche bien dans la fente latérale.


Faites pivoter la vis à oreilles dans le sens des aiguilles d'une montre pour fixer le support.

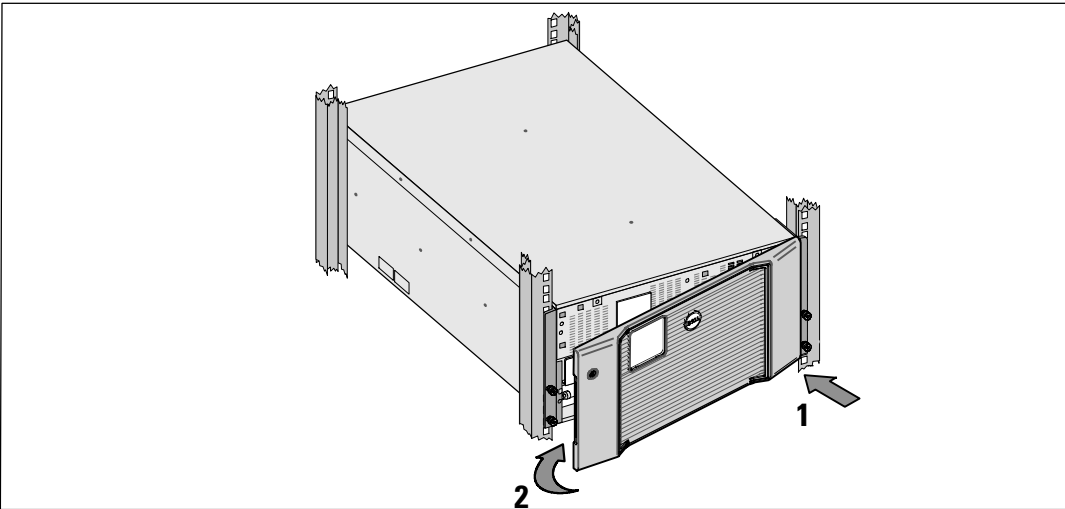
Répétez cette opération pour le deuxième support de fixation de batterie.

Installation du couvercle avant de l'onduleur



12 Retirez le couvercle avant de la boîte d'accessoires.

 **REMARQUE :** Conservez le CD du logiciel, le câble de communication et (si nécessaire) les connecteurs REPO dans la boîte d'accessoires jusqu'à l'installation de l'onduleur.



13 Installez le couvercle avant de l'onduleur :

Alignez le couvercle avant sur la partie avant du châssis.

Insérez les languettes droites du couvercle avant dans les trous des languettes situés sur le côté droit du châssis.

Poussez la partie gauche du couvercle vers l'avant, puis insérez-la dans le châssis.



REMARQUE : Veillez à aligner le panneau LCD du châssis de l'onduleur sur la fenêtre LCD du couvercle avant de le fixer.

14 Jetez ou recyclez l'emballage de manière responsable, ou conservez-le pour une utilisation ultérieure.

Connexion de l'Équipement

Pour installer l'onduleur :



1 Si vous envisagez d'utiliser le logiciel Dell MUMC and Dell ULNM, établissez la communication de l'une des manières suivantes :

- via la Dell Network Management Card (si elle est installée),
- via le câble fourni pour relier votre ordinateur au port USB.



REMARQUE : Pour de plus amples informations sur les options de communication, référez-vous au *Guide de l'utilisateur de l'onduleur en baie en ligne Dell 10 kW*.



2 Si votre châssis a des conducteurs pour la mise à la terre ou des soudures de pièces métalliques non reliées à la masse, connectez le câble de masse (non fourni) à la vis de connexion à la masse. Voir « Panneaux arrière de l'onduleur » page 51 pour l'emplacement de la vis de mise à la terre pour chacun des trois modèles.



3 Si un interrupteur d'arrêt (disjoncteur) d'urgence est requis par les réglementations locales, référez-vous à « Installation d'un arrêt d'urgence à distance » dans le *Guide de l'utilisateur de l'onduleur en baie en ligne Dell 10 kW*.



4 Si vous installez un EBM en option, référez-vous au *Guide de mise en route de l'EBM en baie en ligne Dell 10 kW* pour les instructions d'installation.



ATTENTION : If the UPS is stored or used without an EBM, the battery connector cover on the rear panel of the UPS must be installed as a safety precaution.



5 Branchez l'équipement à protéger sur les prises de sortie de l'onduleur, mais ne mettez pas l'équipement à protéger sous tension.



6 Prenez toutes les dispositions nécessaires pour le maintien et la protection du cordon.



REMARQUE : Pour éviter une alarme de surcharge, vérifiez que les valeurs nominales totales de l'équipement ne dépassent pas la capacité de l'onduleur.

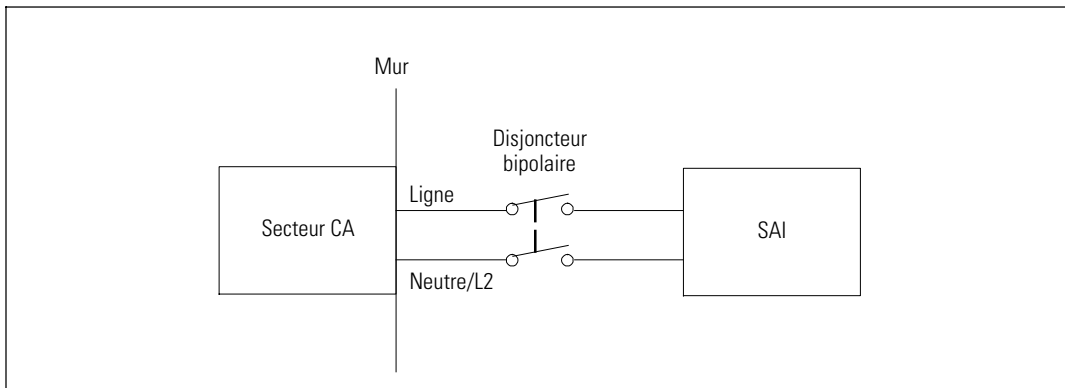
Câblage de l'entrée de l'onduleur



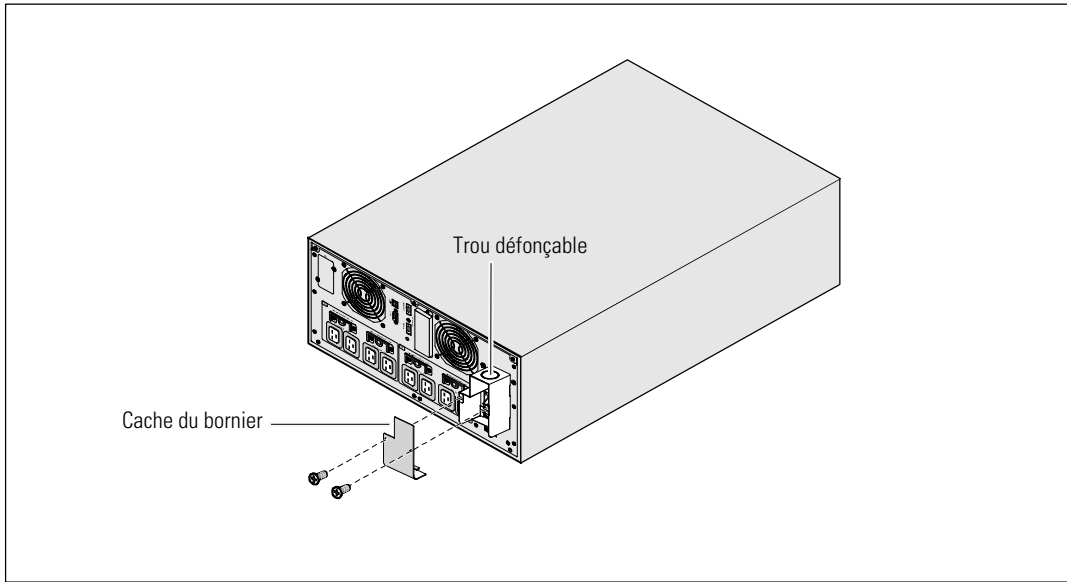
AVERTISSEMENT : Risque de choc électrique. Seul un personnel qualifié (comme un électricien agréé) peut réaliser le branchement électrique.

Les modèles Baie En Ligne Dell câblés requièrent un circuit de branchement spécifique conforme aux spécifications suivantes :

- Le système de protection demande un dispositif de déconnexion bipolaire entre la sortie de l'onduleur et la charge
- Le disjoncteur doit être fixé au mur et facilement accessible pour l'opérateur
- **Pour l'Europe.** Le disjoncteur doit répondre à la norme IEC/EN 60934 et avoir un entrefer par contact d'au moins 3 mm
- 200–240 V CA
- Monophasée
- 50/60 Hz
- Conduit métallique flexible (recommandé pour la facilité de service et d'entretien)



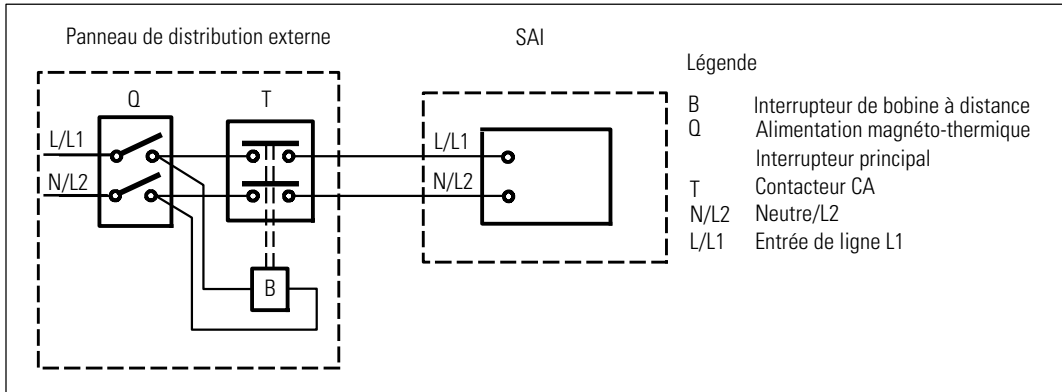
Retrait du couvercle cache-bornes



- 1 Éteignez l'alimentation au point de distribution où l'onduleur sera connecté. Soyez absolument sûr qu'il n'y a pas d'alimentation.
- 2 Retirez le couvercle cache-bornes (deux vis) et mettez-le de côté.
- 3 Percez le trou défonçable dans le cache du bornier pour faire passer le conduit d'entrée. Le trou doit convenir à un conduit métallique flexible (IMC) de 1" ou 1,5" (25,4 mm ou 38,1 mm).



ATTENTION : Si l'onduleur ne dispose pas d'un dispositif de protection contre les renvois de tension, installez un dispositif isolant externe. Après l'installation du dispositif, il vous faudra apposer sur le contacteur CA externe un message d'avertissement dans les termes suivants ou leur équivalent : RISQUE DE RETOUR DE TENSION. Isolez l'onduleur avant d'intervenir sur ce circuit, puis vérifiez l'absence de tension dangereuse entre toutes les bornes.



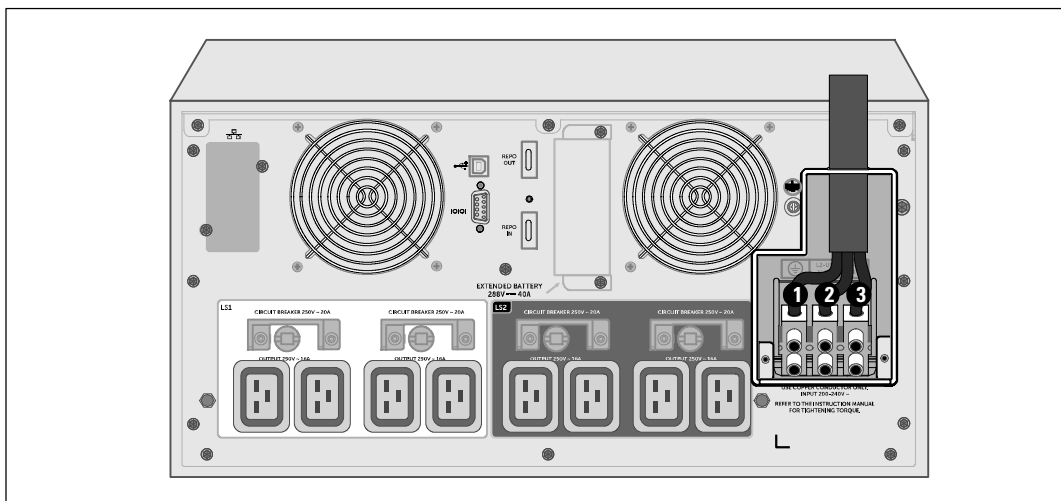
Le tableau ci-dessous énumère les dispositifs de protection contre les renvois de tension (contacteurs CA) qui peuvent être utilisés comme un dispositif isolant externe de protection contre les renvois de tension. Utilisez uniquement les contacteurs CA énumérés dans le tableau.

Fabricant	Type	Valeur nominale
ABB France (E12527)	A75-30	220–240 VCA, 105 A 25 HP à 208 V, 30 HP à 240 V
Tianshui 213 Electrical Apparatus Co., Ltd. (E203071) (alternative)	GSC1(CJX4-d)-6511	220–240 VCA, 68 A 25 HP
Tianshui 213 Electrical Apparatus Co., Ltd. (E203071) (alternative)	GSC1(CJX4-d)-8011	220–240 VCA, 80 A 30 HP



REMARQUE : Une protection contre les renvois de tension est fournie même si l'onduleur n'offre aucun relais anti-renvoi de tension. Par exemple, si certains composants s'avèrent altérés en mode batterie, la tension de sortie peut revenir vers l'entrée par rétroaction. Dans ce cas, un transformateur de courant permet de détecter la tension de rétroaction parallèle. Si une erreur de rétroaction électrique est détectée, l'onduleur désactive la sortie de l'inverseur pour éviter tout risque de blessure corporelle.

Installation des Câbles d'Entrée et de Terre



- 4 Tirez le câble d'entrée par le conduit, en laissant environ 60,96 cm (0.5m) de câble exposé. Fixez une attache métallique flexible à l'extrémité du conduit.
- 5 Insérez le tuyau dans l'entrée des fils et attachez la fixation du tuyau au panneau. Dénudez 0.5" (1,5 cm) d'isolation à l'extrémité de chaque câble d'arrivée.
- 6 Connectez les fils d'entrée et de masse au bornier d'entrée conformément aux spécifications du câblage de l'onduleur dans le tableau suivant.

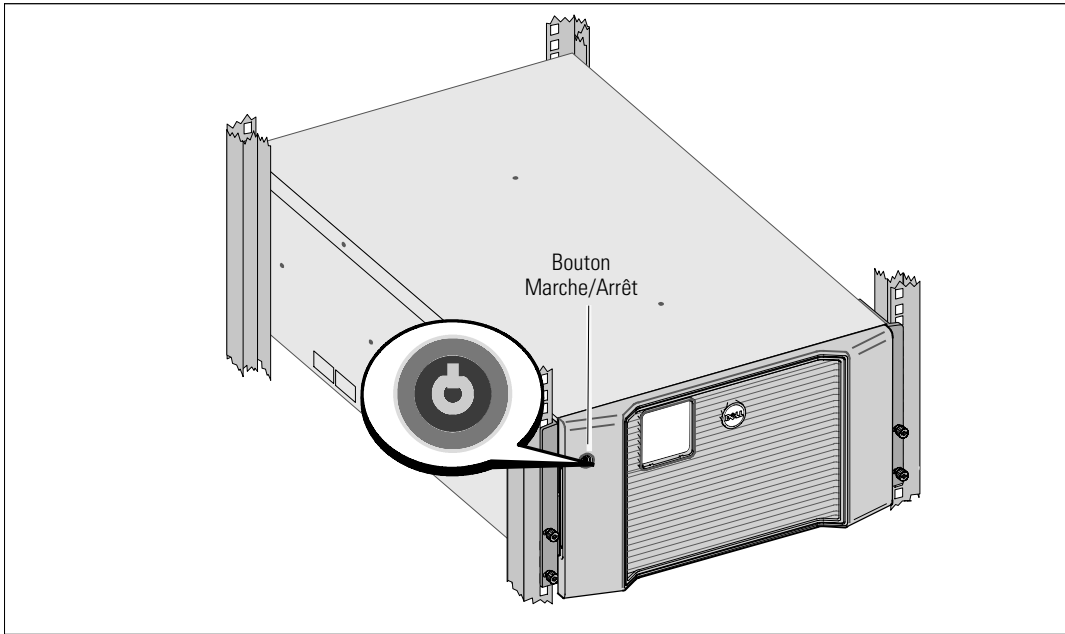
Fonction du câble	Position de la Borne	Fonction du fil de l'onduleur	Valeur nominale de la taille du fil du terminal*	Couple de serrage
Entrée	1	Terre d'entrée	16-35 mm ² (8-2 AWG)	1.7 Nm (15 lb-in)
	2	L2/Neutre In		
	3	L1 In		

* Utilisez un minimum :

- 8 AWG pour un fil de terre de l'équipement, fil de cuivre minimum 75°C
- 4 AWG pour fils neutres et de ligne d'entrée, fil de cuivre minimum 75°C


- 7 Remplacez le couvercle cache-bornes.

Démarrage de l'onduleur



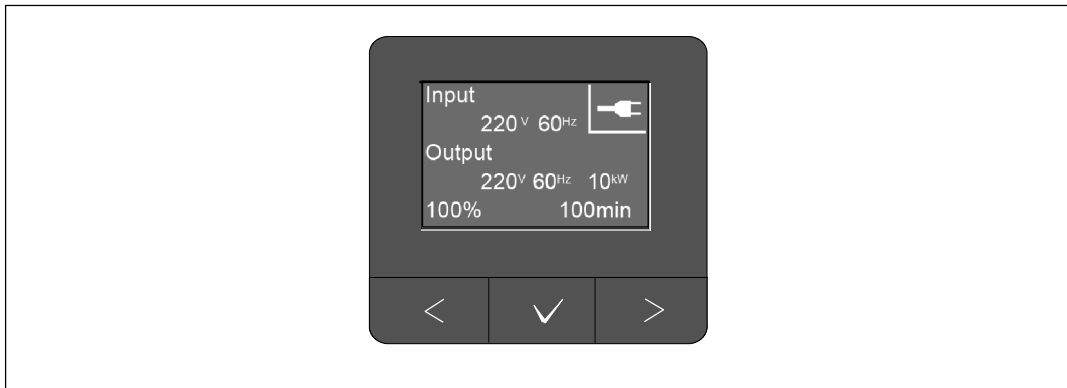
Pour démarrer l'onduleur :

- 1 Vérifiez que les batteries internes sont connectées.
- 2 Si un EBM en option est installé, vérifiez qu'il EBM est connecté à l'onduleur. Reportez-vous au *Guide de mise en route de l'EBM en baie en ligne Dell 10 kW* pour plus d'informations.
- 3 Vérifiez que tous les disjoncteurs des segments de charge sont en position ON.
- 4 Allumez le disjoncteur du secteur.

L'écran du panneau LCD de l'onduleur s'allume. L'écran de démarrage Dell passe à l'écran de résumé d'état de l'onduleur. L'écran du panneau avant de l'onduleur affiche l'icône Veille clignotante .


- 5 Appuyez sur le bouton Marche/Arrêt sur le panneau avant de l'onduleur.

Une fois le démarrage terminé, l'état change en fonction du mode opérationnel de l'onduleur.



6 Sur l'écran de résumé d'état de l'onduleur, appuyez sur le bouton **>** pour vérifier les notifications et les alarmes actives. Traitez toutes les alarmes actives avant de continuer. Voir « Dépannage » dans le *Guide de l'utilisateur de l'onduleur en baie en ligne Dell 10 kW*.

Si aucune alarme n'est activée, un message « Aucune alarme active » apparaîtra.

7 Vérifiez que l'icône Normal  apparaisse sur l'écran de résumé d'état de l'onduleur, indiquant que l'onduleur fonctionne normalement et que toutes les charges sont alimentées.

8 Reportez-vous au *Guide de l'utilisateur de l'onduleur en baie en ligne Dell 10 kW* pour ce qui suit :

- Pour les procédures de configuration si un module d'extension de batterie en option (EBM) est installé
- Pour définir la date et l'heure et changer d'autres paramètres d'usine par défaut

9 Si vous aviez installé un REPO en option, vérifiez la fonction REPO :

Activez l'interrupteur externe REPO. Vérifiez le changement d'état sur l'afficheur de l'onduleur.

Désactivez l'interrupteur externe REPO et redémarrez l'onduleur.

10 Chargez les batteries.



REMARQUE : Les batteries internes se chargent à 90% de leur capacité en moins de trois heures. Cependant, vous devez recharger les batteries pendant 48 heures après l'installation ou un stockage de longue durée.



ATTENTION : Pour éviter des conditions de surcharge de l'onduleur, connectez une seule charge à la fois et vérifiez que chaque dispositif protégé démarre complètement avant de connecter la charge suivante.



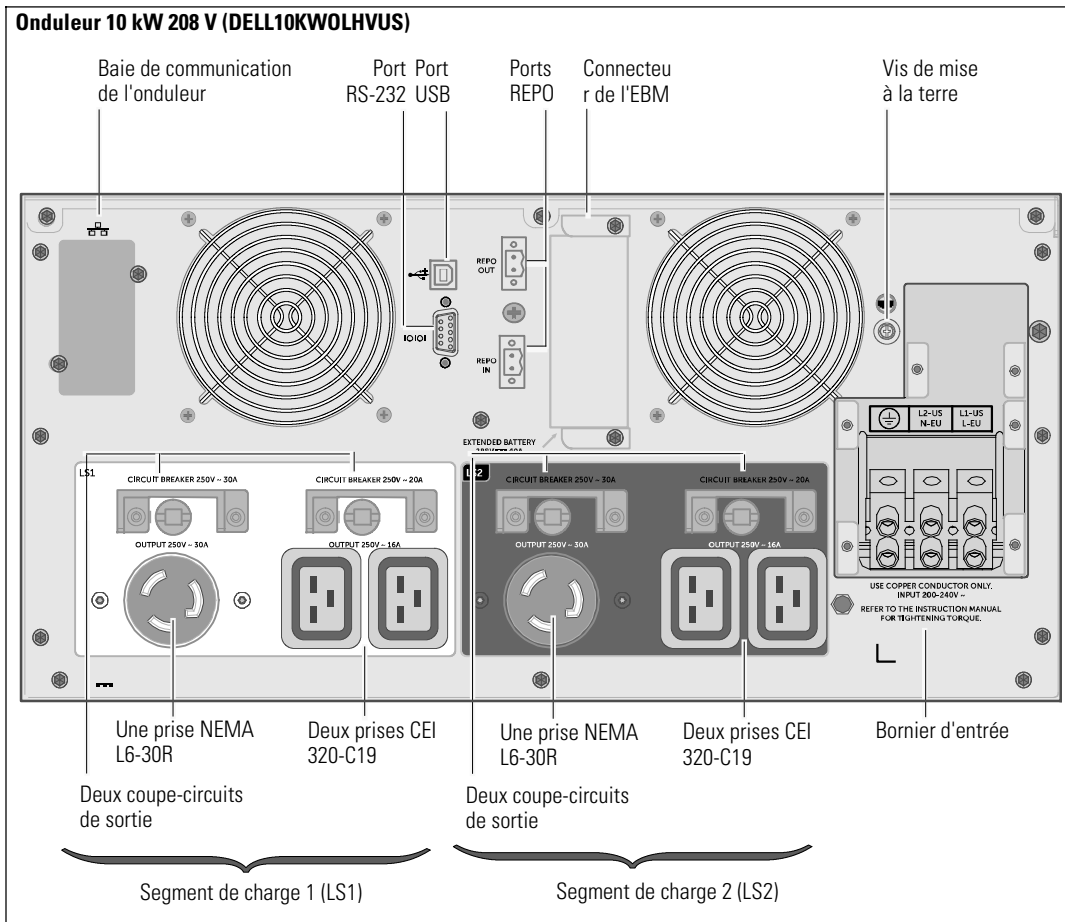
REMARQUE : Dell recommande de régler la date et l'heure à des fins de dépannage ou de garantie.

REMARQUE : Au démarrage initial, l'onduleur règle la fréquence du système selon la fréquence de la ligne d'entrée (la détection automatique de la fréquence d'entrée est activée par défaut). Après le démarrage initial, la détection automatique est désactivée jusqu'à ce qu'elle soit réactivée manuellement par paramétrage de la fréquence de sortie.

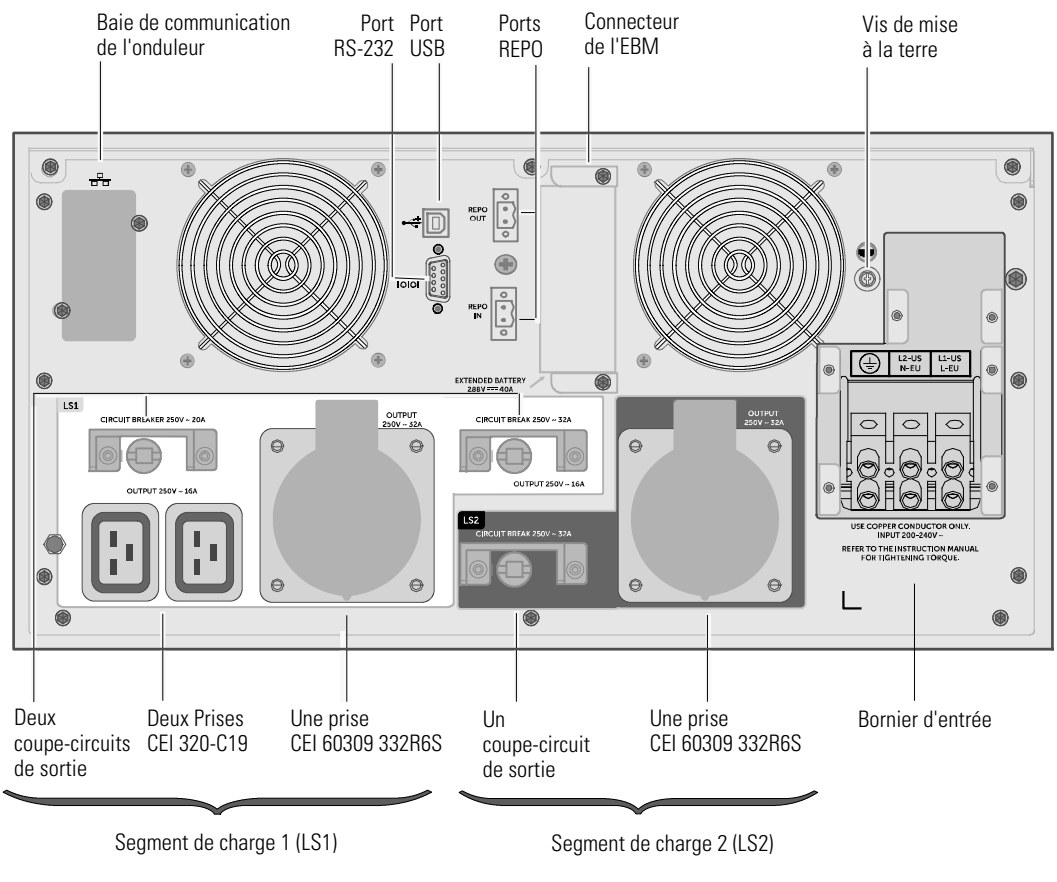
REMARQUE : Au démarrage initial, la détection automatique de la tension d'entrée est activée par défaut. Après le démarrage suivant, la détection automatique est désactivée jusqu'à ce qu'elle soit réactivée manuellement par paramétrage de la tension de sortie.

Identification des Panneaux arrières de l'onduleur

Cette section illustre les panneaux arrières des trois options de modèles d'onduleurs Baie En Ligne Dell 10 kW.



Onduleur 10 kW 230 V (DELL10KWOLHV)



Deux coupe-circuits de sortie

Deux Prises CEI 320-C19

Une prise CEI 60309 332R6S

Un coupe-circuit de sortie

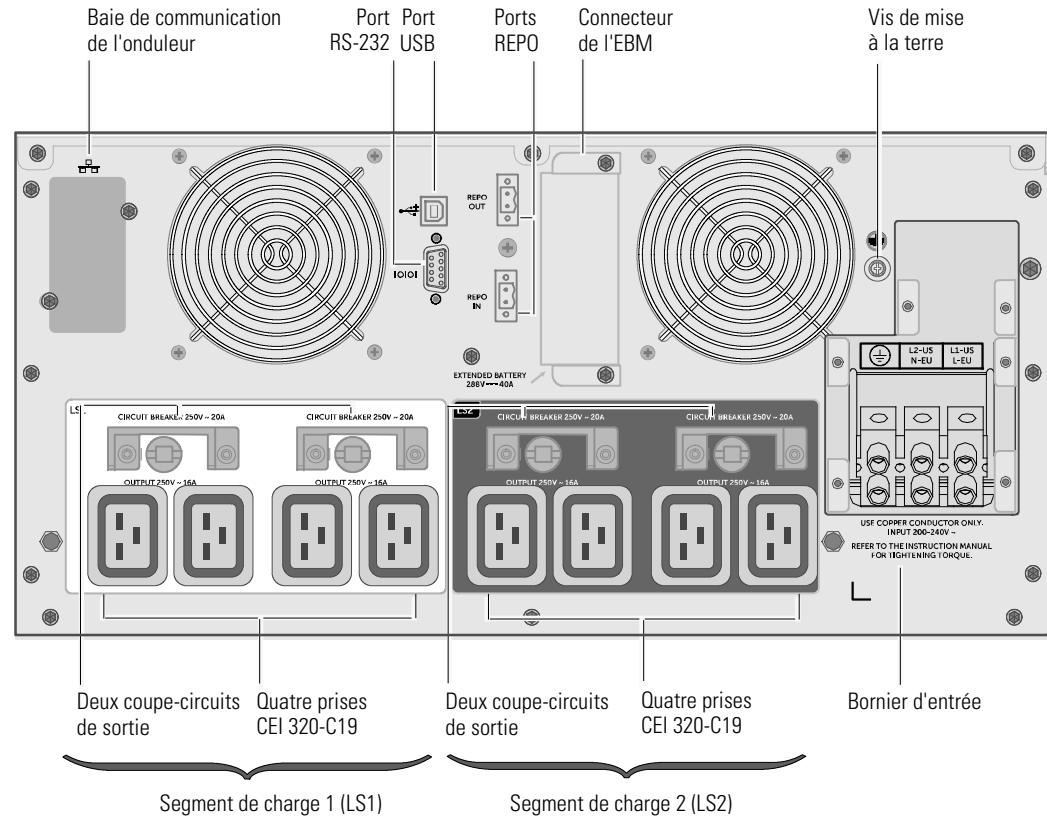
Une prise CEI 60309 332R6S

Bornier d'entrée

Segment de charge 1 (LS1)

Segment de charge 2 (LS2)

Onduleur 10 kW 230 V (DELL10KWOLHVB)




Dell™ Online-Rack-USV 10 kW

Erste Schritte mit Ihrem System


DELL10KWOLHVUS, DELL10KWOLHV, DELL10KWOLHVB
DELL10KWEBM




Hinweise und Warnungen

 **HINWEIS:** Ein HINWEIS macht auf eine wichtige Information aufmerksam, mit deren Hilfe Sie Ihre Software optimal nutzen können.

 **GEFAHR:** GEFAHR macht auf eine unmittelbar gefährliche Situation aufmerksam, die zum Tod oder schweren Verletzungen führt, wenn sie nicht vermieden wird.

 **WARNUNG:** WARNUNG macht auf eine potenziell gefährliche Situation aufmerksam, die zum Tod oder zu Verletzungen führt, wenn sie nicht vermieden wird.

 **ACHTUNG:** ACHTUNG macht auf eine potenziell gefährliche Situation aufmerksam, die zu geringen oder mäßigen Verletzungen oder Sachschäden führen kann, wenn sie nicht vermieden wird.

 **GEFAHR:** Beachten Sie den folgenden Hinweis, um eine unmittelbar gefährliche Situation zu vermeiden, die zum Tod oder zu schweren Verletzungen führen könnte:

- Diese USV enthält **LEBENSGEFÄHRLICHE SPANNUNG**. Sämtliche Reparatur- und Wartungsarbeiten dürfen **NUR VON BEFUGTEM WARTUNGSPERSONAL** durchgeführt werden. Im Inneren der USV oder des EBM sind **KEINE VOM BENUTZER ZU WARTENDEN TEILE** vorhanden.

Die Angaben in diesem Dokument unterliegen unangekündigten Änderungen.

© 2012 Dell Inc. Alle Rechte vorbehalten.

Eine Vervielfältigung gleich welcher Art ist ohne schriftliche Genehmigung von Dell Inc. strengstens untersagt.

In diesem Text verwendete Marken: *Dell* und dem *DELL* Logo handelt es sich um Marken von Dell Inc.

Die Bezeichnung ENERGY STAR ist eine eingetragene Marke der US-amerikanischen Umweltbehörde EPA (Environmental Protection Agency).

In diesem Dokument können weitere Marken und eingetragene Marken verwendet werden, die sich entweder auf die Personen beziehen, die diese Marken und Namen für sich beanspruchen, oder auf deren Produkte. Dell Inc. verzichtet auf sämtliche gewerblichen Eigentumsrechte an Marken und eingetragenen Marken, bei denen es sich nicht um eigene Marken und eingetragene Marken handelt.

Dezember 2012

Systemmerkmale

Mit ihrer herausragenden Leistung und Zuverlässigkeit bietet die USV-Anlage die folgenden einzigartigen Vorteile:


- Online USV-Design mit reinem Sinusausgang
- Echte Online-Doppelwandler-Technologie mit hoher Leistungsdichte, Unabhängigkeit der Netzfrequenz und Generatorkompatibilität
- Spannungsregulierung durch das Buck and Boost -Verfahren. Dieses gewährleistet durch die Korrektur von Unregelmäßigkeiten einen gleich bleibenden Spannungswert für Ihre Anlagen.
- Die USV filtert und regelt eingehenden Wechselstrom und sorgt für eine gleichförmige Versorgung Ihrer Anlagen mit Strom, ohne Energie vom Akku zu ziehen.
- Auswählbarer Hocheffizienzbetrieb
- Höhe der USV 5 HE
- Starten der Anlage im Batteriebetrieb zum Versorgen der USV mit Strom, selbst wenn kein Netzstrom zur Verfügung steht
- Durch die Möglichkeit, die Akkus sicher auszutauschen, ohne die USV auszuschalten, wird die Wartung des Gerätes erleichtert.
- Informationen zum Dell Service Tag können am LCD-Display der Frontplatte abgelesen werden.
- Verlängerte Laufzeit mit einem optionalen Batterieerweiterungsmodul (EBM)
- Notausschaltungssteuerung über die REPO-Schnittstelle (Remote Emergency Power-off)
- Zwei Standard-Kommunikationsschnittstellen (USV-Schnittstelle und serielle RS-232 Schnittstelle)
- Optionale Dell Network Management Card (auch unter der Bezeichnung NMK bekannt) mit zusätzlichen Kommunikationsfunktionen für ein besseres Stromversorgungs-Management
- Optionale Environmental Monitoring Probe (EMP) zum Erfassen von Messwerten zu Temperatur und Luftfeuchtigkeit in der Rahmenumgebung und ortsferne Überwachung der Umgebungsdaten. Sie können ebenso den Status von zwei vom Kunden bereitgestellten Kontaktgeräten erfassen und abrufen.
- Erweiterte Stromüberwachung mit den webbasierten Software-Anwendungen Dell™ Multi-UPS Management Console (MUMC) and Dell™ UPS Local Node Manager (ULNM) für ordnungsgemäßes Herunterfahren und Stromüberwachung
- Sequenzielle Abschaltung und Lastenmanagement durch separate Anschlussgruppen (so genannte Lastsegmente)
- Firmware, die sich einfach und ohne Wartungsdienst aktualisieren lässt
- Entspricht einschlägigen weltweit gültigen Normen.
- ENERGY STAR®-zertifizierte USV-Anlagen.



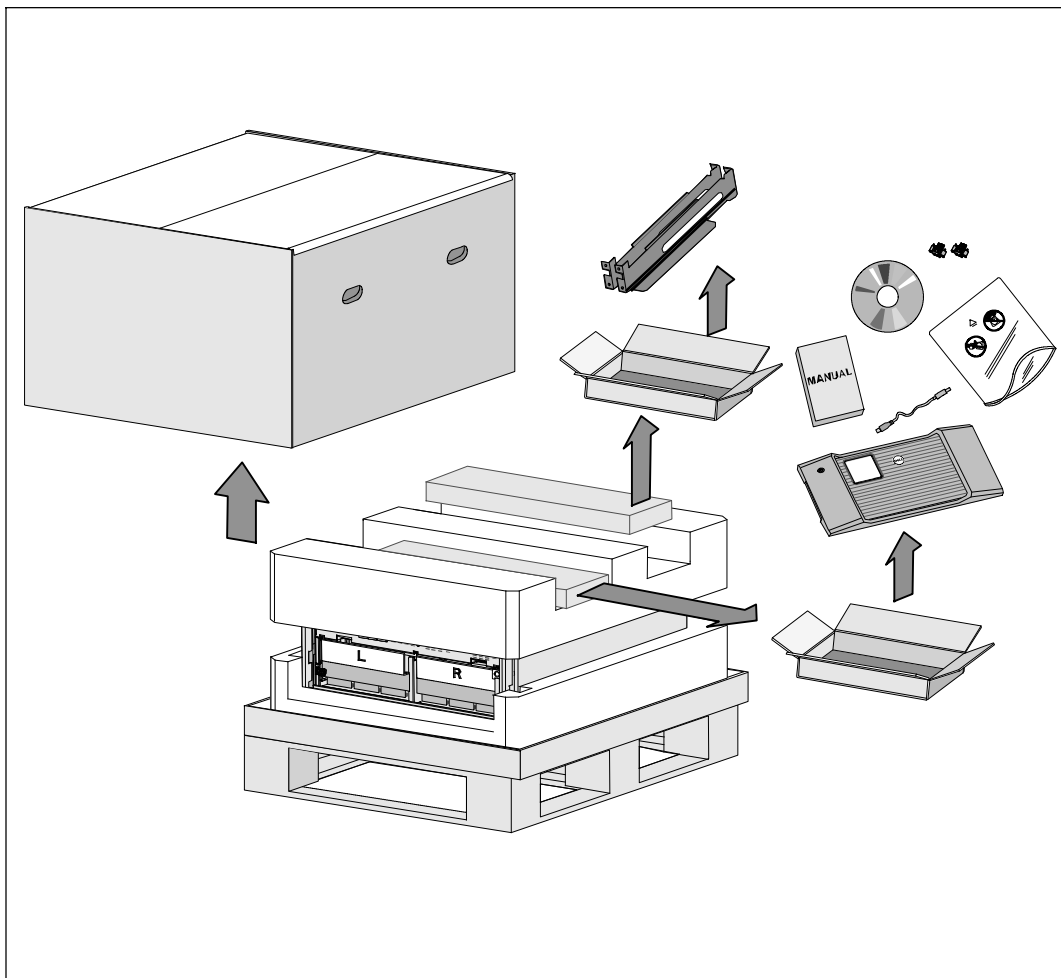
Auffinden von Informationen



ACHTUNG: Das Dokument *Informationen zu Sicherheit, Umwelt und gesetzlichen Vorschriften* enthält wichtige Informationen zu Sicherheit und Vorschriften.

Wonach suchen Sie?	Hier finden Sie es.
<ul style="list-style-type: none">• Die Benutzeranleitung für die USV• Die Benutzeranleitung für die Dell Network Management Card• Dell MUMC and Dell ULNM Benutzeranleitungen	<p>Disk der Dell USV</p> 
<ul style="list-style-type: none">• Spezifikationen• Konfigurieren der USV-Einstellungen• Fehlerbehebung und Problemlösung• Installation der REPO-Steuerung	<p>HINWEIS: Dokumentation und Softwareaktualisierungen finden Sie unter www.support.dell.com und www.dellups.com.</p> <p>Benutzeranleitung der Dell USV</p> <p>Die Benutzeranleitung finden Sie auf der Disk der Dell USV und unter www.support.dell.com.</p>
<ul style="list-style-type: none">• Sicherheitshinweise• Gesetze und Vorschriften• Recycling-Informationen	<p>Informationen zu Sicherheit, Umwelt und gesetzlichen Vorschriften</p>
<ul style="list-style-type: none">• Garantieinformation• Nutzungsbedingungen (nur USA)• Lizenzvereinbarung für Endbenutzer	<p>Dell Garantie- und Supportinformation</p>
<ul style="list-style-type: none">• Supportinformationen	<p>Dell Support Website – www.support.dell.com</p> <p>HINWEIS: Wählen Sie Ihre Region oder Ihre Sparte, um die passende Support-Site aufzurufen.</p>


Installation und Inbetriebnahme



- ⚠ ACHTUNG:** Vor der Ausführung der Verfahren in diesem Dokument lesen und befolgen Sie bitte die Sicherheitshinweise und wichtigen Informationen zu gesetzlichen Vorschriften in Ihrem Dokument *Informationen zu Sicherheit, Umwelt und gesetzlichen Vorschriften*.
- ⚠ ACHTUNG:** Beim Auspacken des Gehäuses bei niedriger Umgebungstemperatur kann sich in oder am Gehäuse Kondenswasser bilden. Das Gehäuse erst installieren, wenn die Innen- und Außenseite des Gehäuses vollkommen trocken ist (Gefahr eines elektrischen Schlages).
- ⚠ ACHTUNG:** Der Einbau bzw. das Entfernen der Akkuträger sollte von Personal mit Kenntnissen über Akkus unter Beachtung der erforderlichen Sicherheitsvorkehrungen durchgeführt oder beaufsichtigt werden. Nicht ausreichend geschultem Personal ist der Zugang zu den Akkus zu verwehren.

 **ACHTUNG:** Das Gehäuse ist schwer (99 kg): Entfernen Sie grundsätzlich beide Akkufächer aus der USV, bevor Sie das Gehäuse anheben. Zum Heben des Gehäuses in das Rack sind mindestens zwei Personen erforderlich.

 **ACHTUNG:** Die Akkus sind schwer (32 kg). Verwenden Sie beim Entfernen der Akkus angemessene Hebetechniken.

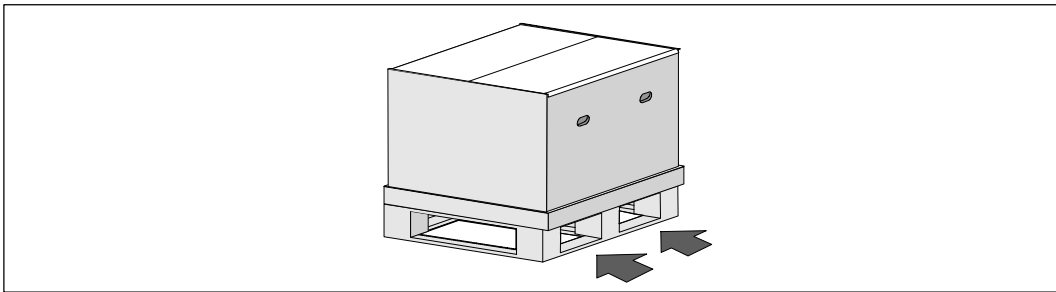
 **HINWEIS:** Transportieren und öffnen Sie den Karton mit Sorgfalt. Die Komponenten sollten in der Verpackung verbleiben, bis alles für die Installation bereit ist.

In diesem Abschnitt werden die Schritte für die Erstkonfiguration Ihres Systems beschrieben.

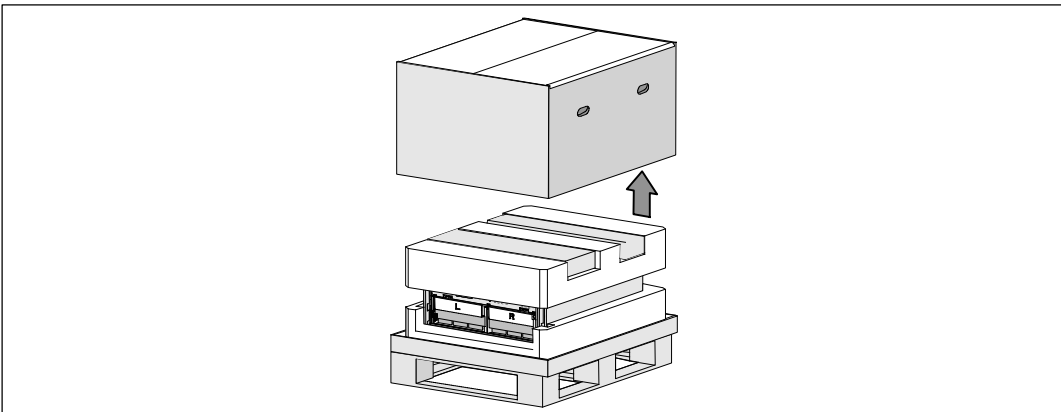
Auspacken des Gehäuses

So packen Sie das System aus:


- 1** Setzen Sie den Versandkarton auf der Palette mit einem Gabelstapler oder Hubwagen in der Nähe des Racks ab, in dem die USV eingebaut werden soll.

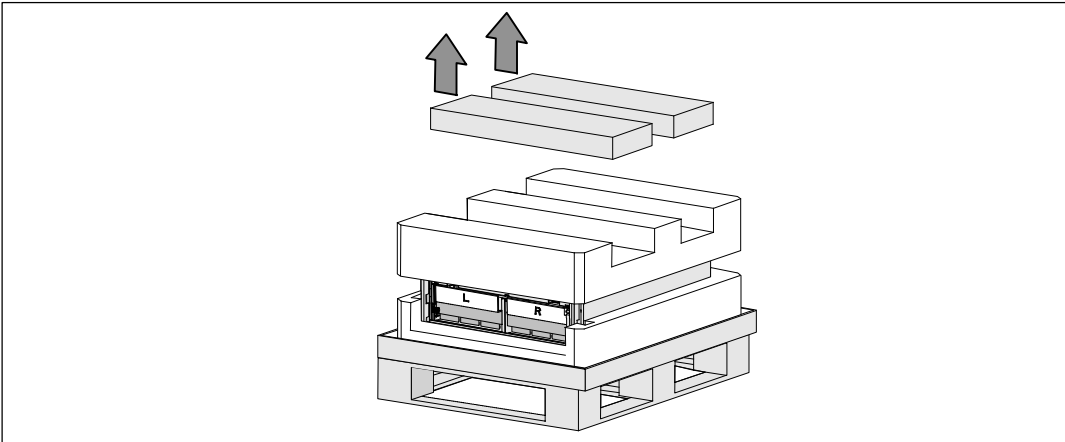


- 2** Trennen Sie den Außenkarton ab und entfernen Sie ihn.

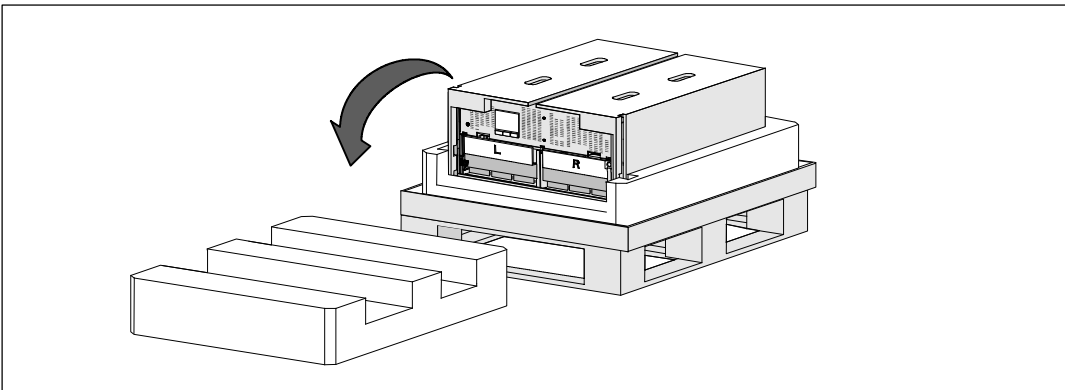


- 3 Entnehmen Sie die beiden Zubehörkartons aus den Vertiefungen im oberen Styropordeckel.
- 4 Öffnen Sie die Kisten für Zubehör und setzen Sie diese auf eine flache, stabile Unterlage in der Nähe ab.

 **HINWEIS:** Die *Benutzeranleitung für die Dell Online-Rack-USV 10 kW* beschreibt, wie beim Auspacken und bei der Installation vorzugehen ist. Nehmen Sie sie dazu aus dem Zubehörkarton, bevor Sie die Zubehörkartons beiseite legen.



- 5 Entfernen Sie den oberen Styropordeckel und setzen Sie ihn auf einer flachen, stabilen Unterlage in der Nähe ab.





HINWEIS: Die Akkuhalterungen sind mit **L** (Links) und **R** (Rechts) beschriftet, um anzugeben, wo sie installiert werden müssen.

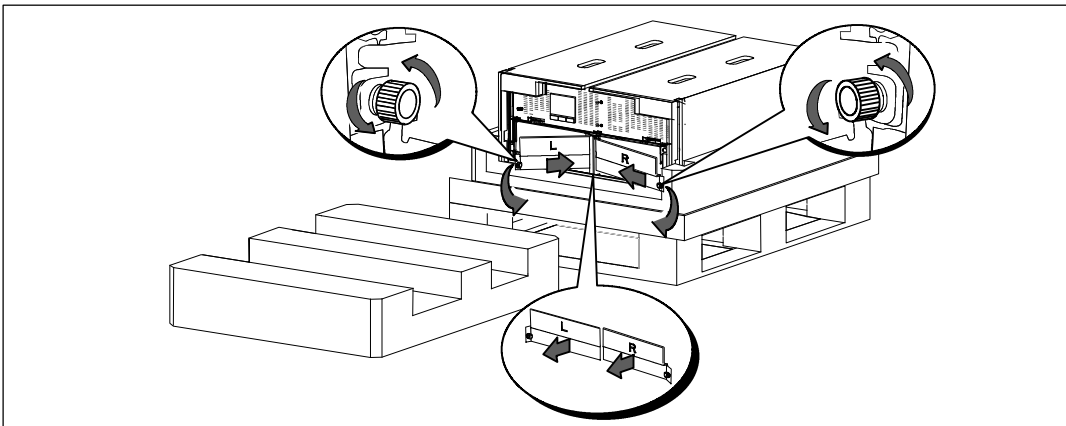
6 Entfernen Sie beide Halterungen von der USV:

Suchen Sie die linke Halterung (mit der Bezeichnung **L**). Auf der linken Gehäuseseite die Rändelschraube gegen den Uhrzeigersinn drehen, um die linke Halterung zu lösen.

Schieben Sie die Halterung zum Lösen vom Gehäuse in Richtung Mittelsteg. Klappen Sie die Halterung auf Sie zu und ziehen Sie die Halterung zum Entfernen nach links. Legen Sie die Halterung beiseite.

Suchen Sie die rechte Halterung (mit der Bezeichnung **R**). Auf der rechten Gehäuseseite die Rändelschraube gegen den Uhrzeigersinn drehen, um die rechte Halterung zu lösen.

Schieben Sie die Halterung zum Lösen vom Gehäuse in Richtung Mittelsteg. Klappen Sie die Halterung auf Sie zu und ziehen Sie die Halterung zum Entfernen nach rechts. Legen Sie die Halterung beiseite.



7 Stellen Sie sicher, dass alle Akkuanschlüsse abgezogen sind.



ACHTUNG: Die Akkus sind schwer (32 kg). Verwenden Sie beim Entfernen der Akkus angemessene Hebetechniken.



Entfernen Sie die Akkufächer aus der USV:

Schieben Sie die freien USV-Akkustecker nach oben in das Akkufach, damit diese nicht im Weg sind.

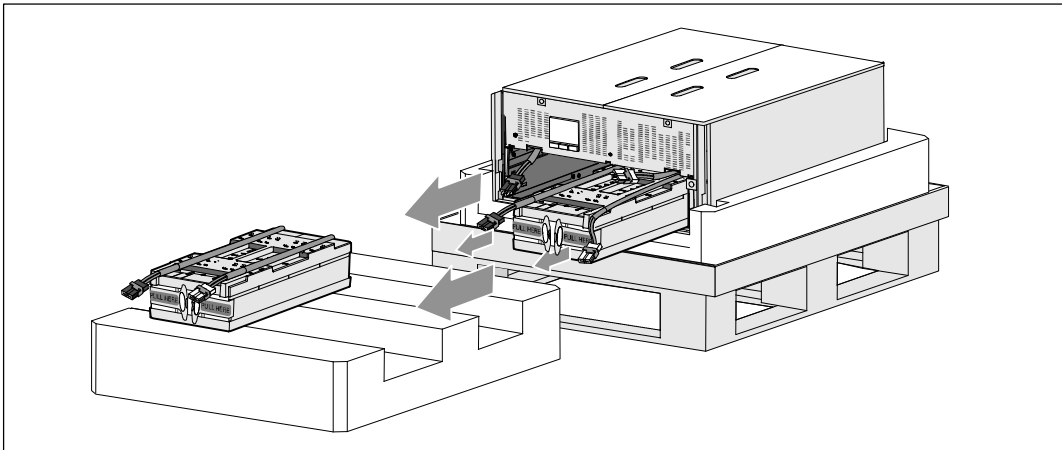
Greifen Sie in die beiden Ringlaschen aus Kunststoff an der Vorderseite des Akkuträgers. Ziehen Sie den Träger zu sich heraus.



HINWEIS: Die orange Beschriftung mit **PULL HERE (HIER ZIEHEN)** zeigt an, wo Sie die beiden Ringlaschen greifen müssen.

Setzen Sie den Akkuträger auf den Styropordeckel, den Sie von der Oberseite der USV abgehoben haben.

Wiederholen Sie den Vorgang mit dem zweiten Akkuträger.

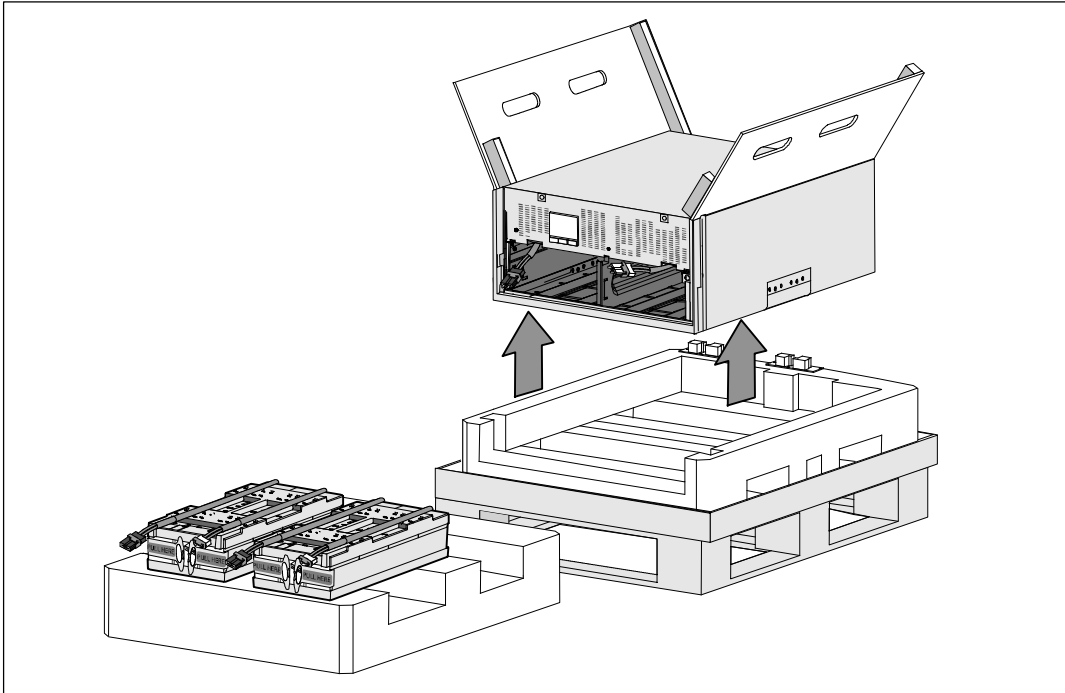




ACHTUNG: Das Gehäuse ist trotz entfernter Akkus schwer (46 kg). Zum Heben des Gehäuses aus dem Versandkarton sind mindestens zwei Personen erforderlich.

9

Heben Sie das Gehäuse mit einer Person auf jeder Seite mit den Griffen am Karton vorsichtig aus dem Styropor heraus.



10

Setzen Sie das Gehäuse auf einer flachen, stabilen Unterlage in einem geschützten Bereich in der Nähe des Racks ab, in der es eingebaut werden soll.



HINWEIS: Stellen Sie sicher, dass der Ort ausreichend belüftet und frei von Feuchtigkeit, entzündlichen Gasen und Korrosion ist.

Rackmontage



ACHTUNG: Das Gehäuse ist schwer (99 kg): Entfernen Sie immer beide Akkuträger, bevor Sie das Gehäuse anheben und die USV in die Schienen im Rack einbauen. Zum Heben des Gehäuses in das Rack sind mindestens zwei Personen erforderlich.



ACHTUNG: Der Ein- bzw. Ausbau der Akkus sollte unter Befolgung der erforderlichen Sicherheitsvorkehrungen durch fachkundiges Personal durchgeführt oder beaufsichtigt werden. Nicht ausreichend geschultem Personal ist der Zugang zu den Akkus zu verwehren.



ACHTUNG: Die Akkus sind schwer (32 kg). Verwenden Sie beim Entfernen der Akkus angemessene Hebetechniken.



ACHTUNG: Wenn Sie ein optionales EBM installieren, muss dies unterhalb der USV und ohne HE-Raum zwischen USV und EBM positioniert werden. Dadurch wird das Gewicht besser im Rack verteilt, der Zugriff auf das USV-Bedienfeld vereinfacht und die Kabelführung für die Akkukabelanschlüsse erleichtert. Dies verhindert auch einen Zug zwischen dem EBM-Kabel und dem USV-Anschluss und mögliche Verbindungsfehler.



WARNUNG: Für rackmontierte Systeme: Beim Installieren von mehreren Systemen in einem Rack, schließen Sie zunächst sämtliche Abläufe für das aktuelle System ab, bevor Sie versuchen, das nächste System zu installieren.



HINWEIS: Für jedes Gehäuse sind eigene Montageschienen erforderlich.



HINWEIS: Das Gehäuse wird ohne angebaute Frontblende geliefert.



HINWEIS: Die folgenden Anweisungen gelten sowohl für Racks mit quadratischen Öffnungen als auch für Racks mit runden Öffnungen ohne Gewinde. Die Schienen passen zu beiden Rackarten.

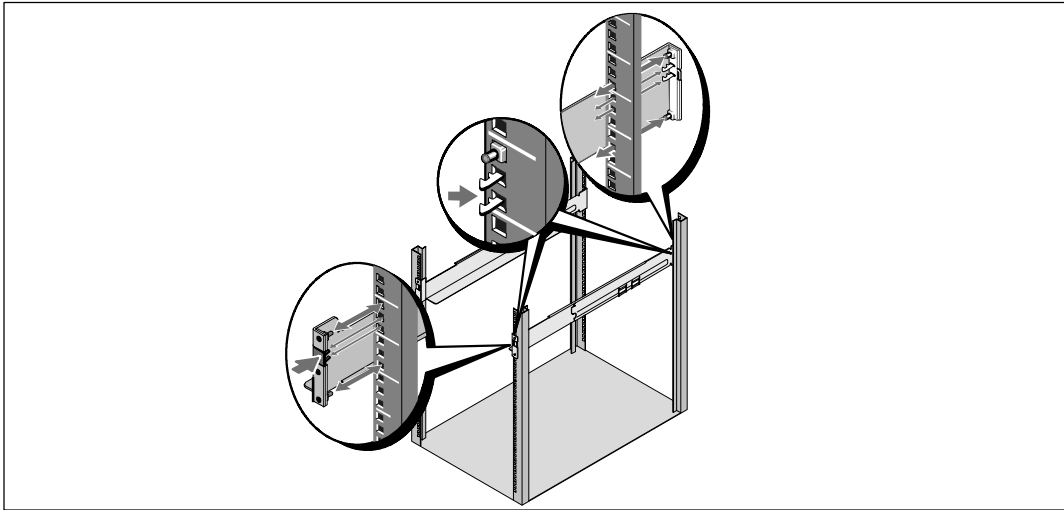
So installieren Sie die USV in einem Rack:



Stellen Sie sicher, dass folgende Elemente auf einer flachen, stabilen Unterlage in der Nähe des Racks bereit liegen, in dem die USV eingebaut werden soll:

- Gehäuse
- zwei Zubehörkartons für die USV
- zwei Akkuträger (nur USV)
- zwei Akkuhalterungen (nur USV)

Montage der Schienen



- 2 Entnehmen Sie die Schienen aus dem Zubehörkarton für den Schienensatz.
- 3 Wählen Sie die korrekten Öffnungen in der Schiene aus, um das Gehäuse wie gewünscht im Rack zu positionieren.

Suchen Sie die Schienen an der Unterseite des für die USV vorgesehenen 5 HE-Platzes.



ACHTUNG: Wenn Sie ein optionales EBM installieren, treffen Sie Vorkehrungen zum Einbau des EBMs direkt unterhalb der USV und ohne HE-Raum zwischen der USV und dem EBM.



HINWEIS: Achten Sie auf die Beschriftungen auf den Schienen für rechte Vorderseite (mit der Bezeichnung **RIGHT FRONT**) und für linke Vorderseite (mit der Bezeichnung **LEFT FRONT**). Die Schienen sind wie folgt zur Installation zu positionieren.

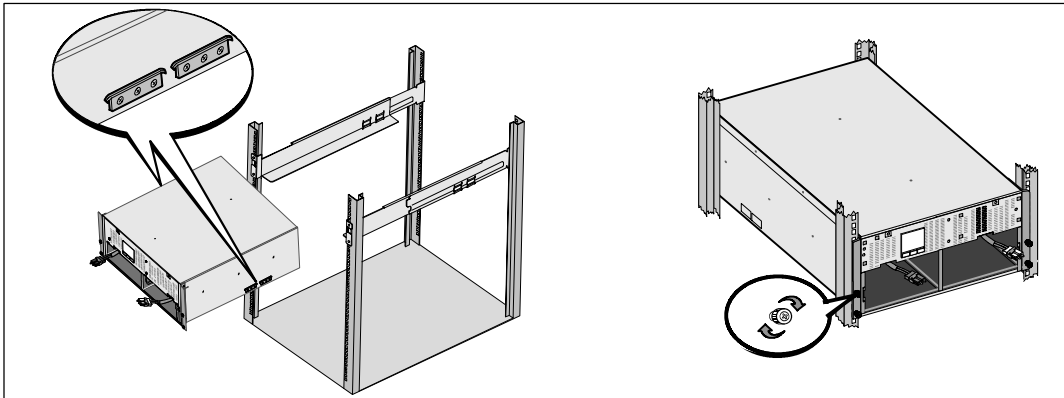
- 4 Positionieren Sie die linke und rechte Schiene wie dargestellt. Bringen Sie die linke und die rechte Schiene am Rack an:

Schieben Sie das hintere Ende der Schiene hinein, bis es vollständig auf dem vertikalen Gestellflansch sitzt und der Haken einrastet.

Ziehen Sie die Schiene ein wenig über die Vorderseite des Racks hinaus.

Schieben Sie das vordere Ende der Schiene hinein, bis es vollständig auf dem vertikalen Rackflansch sitzt und der Haken einrastet.

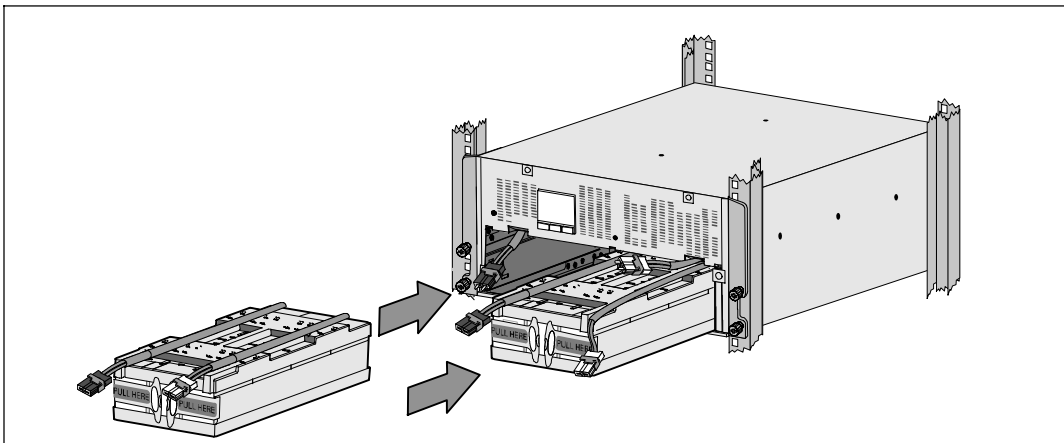
Installation und Sicherung des Gehäuses



! **ACHTUNG:** Das Gehäuse ist trotz entfernter Akkus schwer (46 kg). Zum Heben des Gehäuses in das Rack sind mindestens zwei Personen erforderlich.

- 5** Schieben Sie das Gehäuse auf die Schienen und in das Rack.
- 6** Befestigen Sie die Vorderseite des Gehäuses mit den vier Rändelschrauben auf den Halterungen am Gestell. Ziehen Sie die Rändelschrauben im Uhrzeigersinn von Hand fest. Verwenden Sie keine Elektrowerkzeuge.

Installation der Batterieträger



- 7** Suchen Sie nach den Akkuträgern, die Sie sich in der Nähe des Racks zurechtgelegt haben.



ACHTUNG: Die Akkus sind schwer (32 kg). Verwenden Sie beim Einbau der Akkus angemessene Hebetechniken.



HINWEIS: Die Akkuträger können in beide Akkuschächte eingebaut werden.



HINWEIS: Schieben Sie den Träger hinein, wobei der Pfeil des Warnschildes nach oben weisen muss.



Installation der Akkuträger:

Schieben Sie die USV-Akkustecker nach oben in das Akkufach, damit diese nicht im Weg sind.

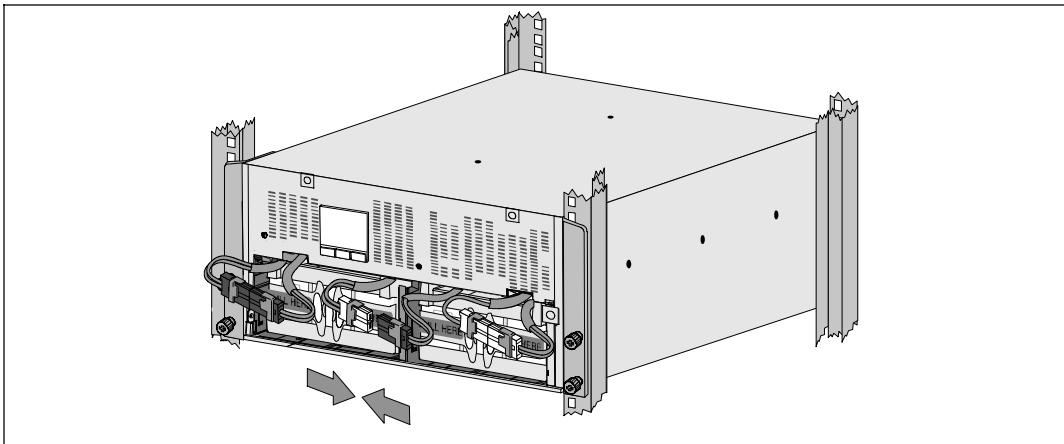
Schieben Sie den Akkuträger vollständig in das Akkufach.

Wiederholen Sie den Vorgang mit dem zweiten Akkuträger.



Klemmen Sie die Ringlaschen in die Kunststofffülle an der Vorderseite jedes Akkuträgers, damit diese nicht im Weg sind.

Anschließen der Anschlüsse des internen Akkus



Den Anschluss des internen Akkus anklemmen:

Schließen Sie den Akkuträgerstecker hinten links an den festen USV-Anschluss. Schließen Sie den Akkuträgerstecker hinten rechts an den festen USV-Anschluss.



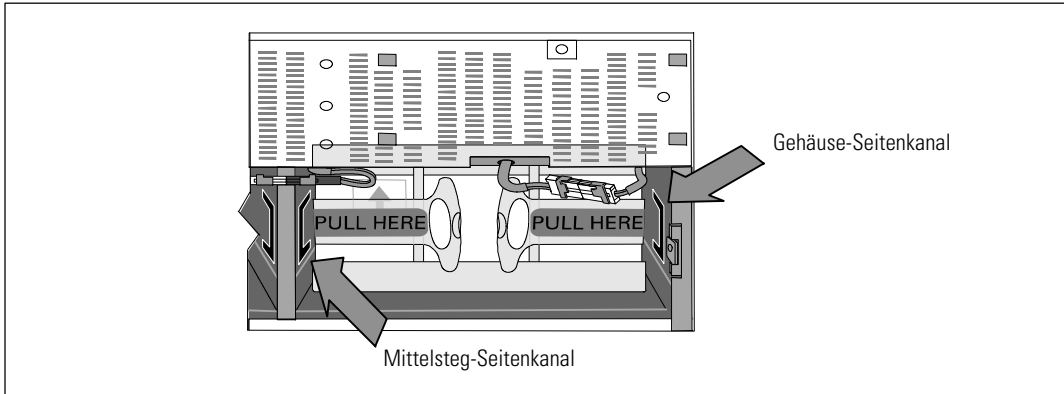
HINWEIS: Beim Verbinden der Akkus kann es zu einem kleinen Lichtbogen kommen. Das ist normal und schadet weder der Anlage noch stellt es ein Sicherheitsrisiko dar.

Suchen und verbinden Sie die Akkubrücken auf jeder Seite des Mittelstegs. Setzen Sie die Anschlüsse auf die kleine Ablage oben auf dem Mittelsteg.



HINWEIS: Durch das Verbinden der Brücken in der Mitte der Akkus werden die beiden Akkuträger seriell verbunden.

Auswechseln der Akkuhalterungen



HINWEIS: Die Akkuhalterungen sind mit **L** (Links) und **R** (Rechts) beschriftet, um anzugeben, wo sie installiert werden müssen.

11 Setzen Sie die linke (**L**) und rechte (**R**) Akkuhalterung wieder ein:

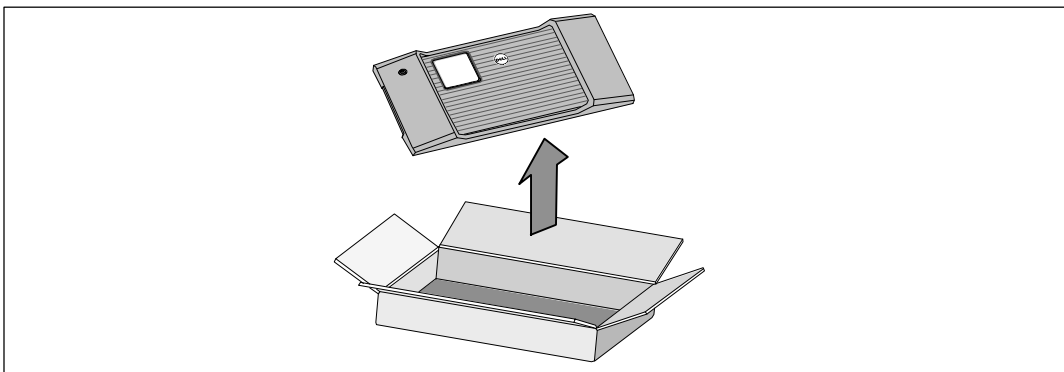
Schieben Sie für die erste Akkuhalterung die Halterungslasche in den Kanal auf der Seite des Mittelstegs ein. Verbergen Sie die verbundenen Akkukabel ordentlich hinter der Halterung.

Richten Sie das Ende der Akkuhalterung am Kanal auf der Gehäuseseite aus. Drücken Sie die Halterung, bis diese fest in dem Seitenkanal sitzt.

Drehen Sie die Rändelschraube im Uhrzeigersinn ein, um die Halterung zu sichern.

Wiederholen Sie den Vorgang mit der Halterung für den zweiten Akku.

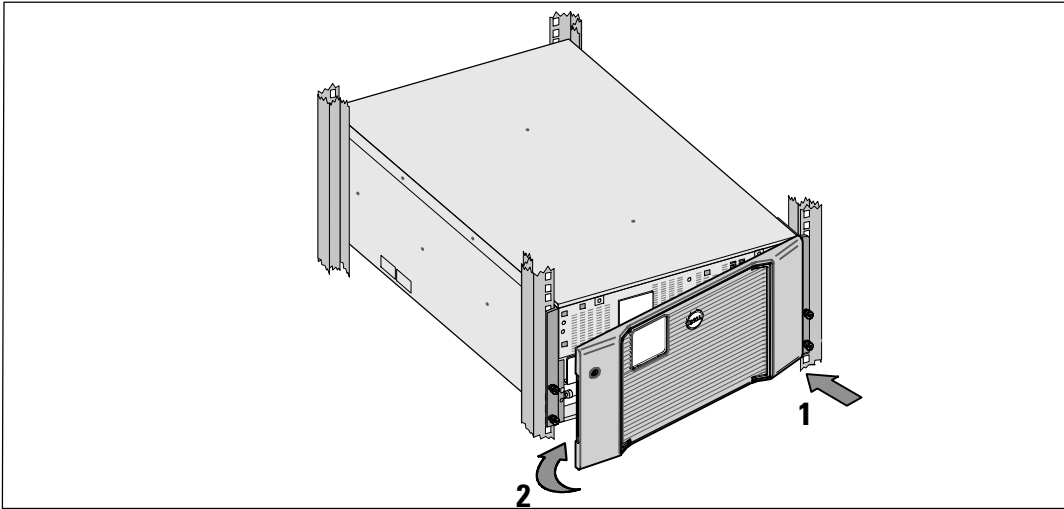
Installation der vorderen USV-Abdeckung



12 Nehmen Sie die Frontplatte aus dem Zubehörkarton.



HINWEIS: Lassen Sie die Software-CD, Kommunikationskabel und (gegebenenfalls) die REPO-Anschlüsse im Zubehörkarton, bis Sie die USV installieren.



13 Installieren Sie die vordere USV-Abdeckung:

Richten Sie die Frontblende an der Vorderseite des Gehäuses aus.

Schieben Sie die rechten Laschen auf der Frontplatte in die Laschenöffnungen auf der rechten Gehäuseseite.

Drücken Sie die linke Seite der Blende nach vorne und rasten Sie sie am Gehäuse ein.



HINWEIS: Stellen Sie sicher, dass die LCD-Anzeige am USV-Gehäuse mit dem LCD-Fenster an der Frontblende übereinstimmt, bevor Sie die Blende am Gehäuse fixieren.



14 Entsorgen oder recyceln Sie die Verpackung auf umweltbewusste Weise oder bewahren Sie sie für späteren Gebrauch auf.

Anschließen der Anlage

So installieren Sie die USV:

1 Falls Sie planen, Dell MUMC and Dell ULNM-Software zu verwenden, stellen Sie auf eine der folgenden Arten und Weisen eine Kommunikationsverbindung her:

- über die Dell Network Management Card (falls installiert)
- über das mitgelieferte Kabel zum Anschluss Ihres Rechners an die USB-Schnittstelle



HINWEIS: Weitere Informationen zu Optionen für die Datenkommunikation erhalten Sie in der *Benutzeranleitung für die Dell Online-Rack-USV 10 kW*.

2 Falls Ihr Rack über Erdungsleitungen oder Leitungen zum Erden nicht geerdeter Metallteile verfügt, schließen Sie das Erdungskabel (nicht enthalten) an die Erdungsschraube an. Zur Position der Erdungsschraube für die einzelnen Gerätetypen siehe Rückseitige Anschlussleisten der USV auf Seite 78.

3 Falls die örtliche Gesetzgebung einen Not-Aus-Schalter (Sicherung) vorschreibt, schlagen Sie unter „Installieren der Notausschaltsteuerung“ in der *Benutzeranleitung für die Dell Online-Rack-USV 10 kW* nach.

4 Wenn Sie ein optionales EBM einbauen, finden in der *Erste Schritte mit dem Dell Online Rack EBM 10 kW* Installationsanweisungen.



ACHTUNG: Sollte die USV ohne ein EBM gelagert oder verwendet werden, muss die **Akkuanschlussabdeckung auf der Geräterückseite der USV aus Sicherheitsgründen installiert sein.**

5 Stecken „Sie Stecker der zu schützenden“ Geräte in die Anschlussbuchsen der USV ein, aber schalten Sie die geschützten Geräte noch nicht ein.

6 Treffen Sie alle nötigen Vorkehrungen zum Verlegen und Entlasten der Kabel.



HINWEIS: Vergewissern Sie sich, dass die Gesamtnennleistungen aller angeschlossenen Geräte die Kapazität der USV nicht überschreiten, um einen Überlastalarm zu vermeiden.

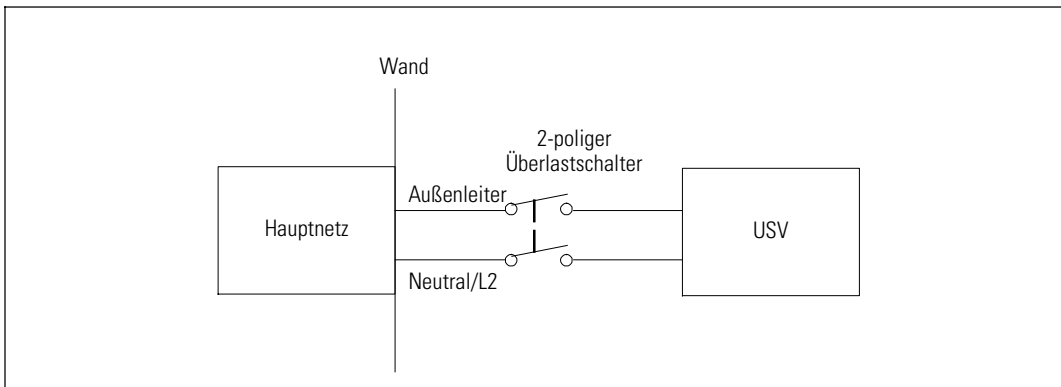
Feste Verdrahtung des USV-Eingangs



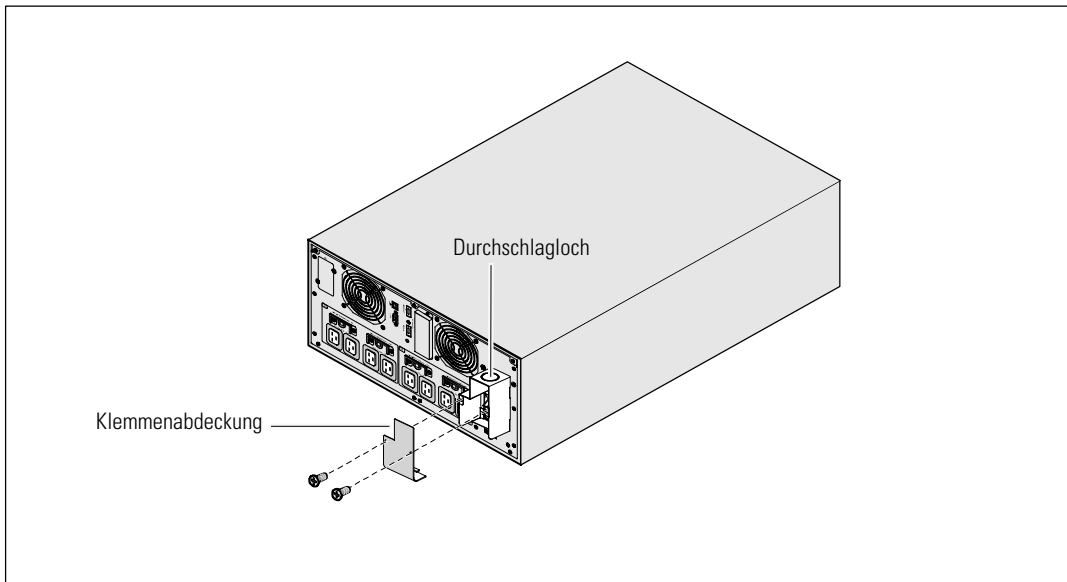
WARNUNG: Gefahr eines Stromschlages. Arbeiten im Zusammenhang mit Elektroinstallation dürfen nur von qualifiziertem technischen Personal (Elektrofachbetrieb / Elektromeister) vorgenommen werden.

Für die festverdrahteten Dell Online-Rack-Gerätetypen ist eine geeignete Abzweigleitung erforderlich. Diese muss die folgenden Anforderungen erfüllen:

- Für das Schutzgerät muss ein zweipoliges Ausschaltgerät zwischen dem USV-Eingang und dem Netzstrom geschaltet werden.
- Die Sicherung muss in die Wand eingebaut und für den Betreiber leicht zugänglich sein.
- **Für Europa:** Die Sicherung muss die Norm IEC/EN 60934 erfüllen und einen Kontakt-Luftspalt von mindestens 3 mm aufweisen.
- 200–240 V AC
- Einphasig
- 50/60 Hz
- Flexibles Metallkabelrohr (empfohlen für einfache Reparatur und Wartung)



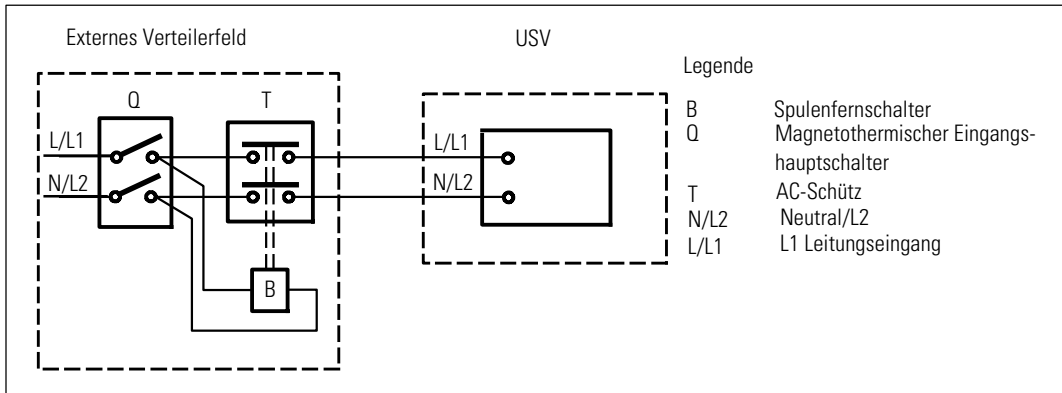
Entfernen der Klemmenabdeckung



- 1** Schalten Sie den Netzstrom an dem Verteilerpunkt ab, an dem die USV angeschlossen wird. Überzeugen Sie sich davon, dass der Strom völlig abgeschaltet ist.
- 2** Entfernen Sie die Klemmenabdeckung (zwei Schrauben) und legen Sie sie zur Seite.
- 3** Entfernen Sie das Durchschlagloch aus der Klemmenabdeckung für das Eingangskabelrohr. Das Loch muss ein mittleres Leitungsrohr der Größe 1" bzw. 1.5" (25,4 mm bzw. 38,1 mm) aufnehmen können.



ACHTUNG: Falls die USV keine automatische Schutzvorrichtung gegen Stromrückkopplung aufweist, installieren Sie eine externe Isolationsvorrichtung. Nach Installation einer solchen Vorrichtung müssen Sie auf dem externen AC-Schütz ein Warnetikett mit dem folgenden Wortlaut oder einem entsprechenden Wortlaut anbringen: **RISIKO DER SPANNUNGRÜCKKOPPLUNG**. Isolieren Sie die USV, bevor Sie diesen Schaltkreis ansteuern, und prüfen Sie, ob keine gefährliche Spannung zwischen den Klemmen vorliegt.



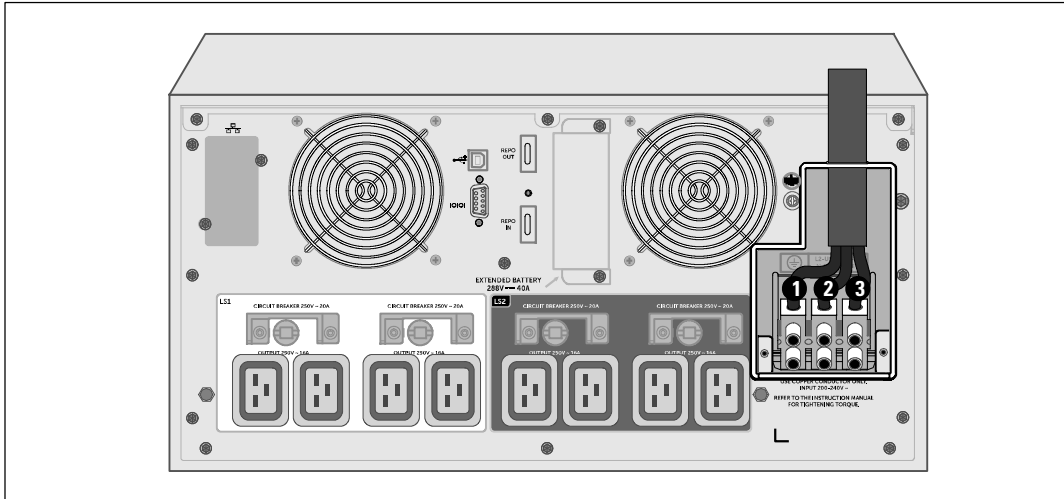
Die folgende Tabelle listet die Rückkopplungsschutzgeräte (AC-Schütze) auf, die als externe Isolationsgeräte zum Rückkopplungsschutz verwendet werden können. Verwenden Sie nur die in der Tabelle aufgeführten AC-Schütze.

Hersteller	Typ	Nennstrom
ABB France (E12527)	A75-30	220–240 VAC, 105 A 25 PS bei 208 V, 30 PS bei 240 V
Tianshui 213 Electrical Apparatus Co., Ltd. (E203071) (alternativ)	GSC1(CJX4-d)-6511	220–240 VAC, 68A 25 PS
Tianshui 213 Electrical Apparatus Co., Ltd. (E203071) (alternativ)	GSC1(CJX4-d)-8011	220–240 VAC, 80A 30 PS



HINWEIS: Auch wenn die USV über keine Anti-Rückkopplungs-Relais (ABF-Relais) verfügt, ist ein gewisser Rückkopplungsschutz implementiert. Wenn beispielsweise Komponenten im Akkumodus beschädigt werden, kann die Ausgangsspannung in den Eingang zurückgeführt werden. In diesem Fall wird ein Stromwandler verwendet, um die Rückkopplungsspannung des Bypass-Stroms zu erkennen. Falls ein Fehlerzustand bei der Stromrückkopplung festgestellt wird, unterbricht die USV den Umrichter Ausgang, um Personenschaden zu vermeiden.

Installieren der Eingangs- und Erdungsdrähte



- 4 Ziehen Sie das Eingangskabel durch die Leitung und lassen Sie dabei etwa 0,5 m Kabel heraushängen. Befestigen Sie einen Metall-Anschlussstutzen am Kabelrohrende.
- 5 Führen Sie das Kabelrohr durch den Verdrahtungszugang ein und befestigen Sie den Kabelrohr-Anschlussstutzen an der Platte. Isolieren jeden Eingangsdraht 1,5 cm ab.
- 6 Schließen Sie die Eingangs- und Erdungskabel gemäß den USV-Verdrahtungsspezifikationen der folgenden Tabelle an die Klemmenabdeckung an.

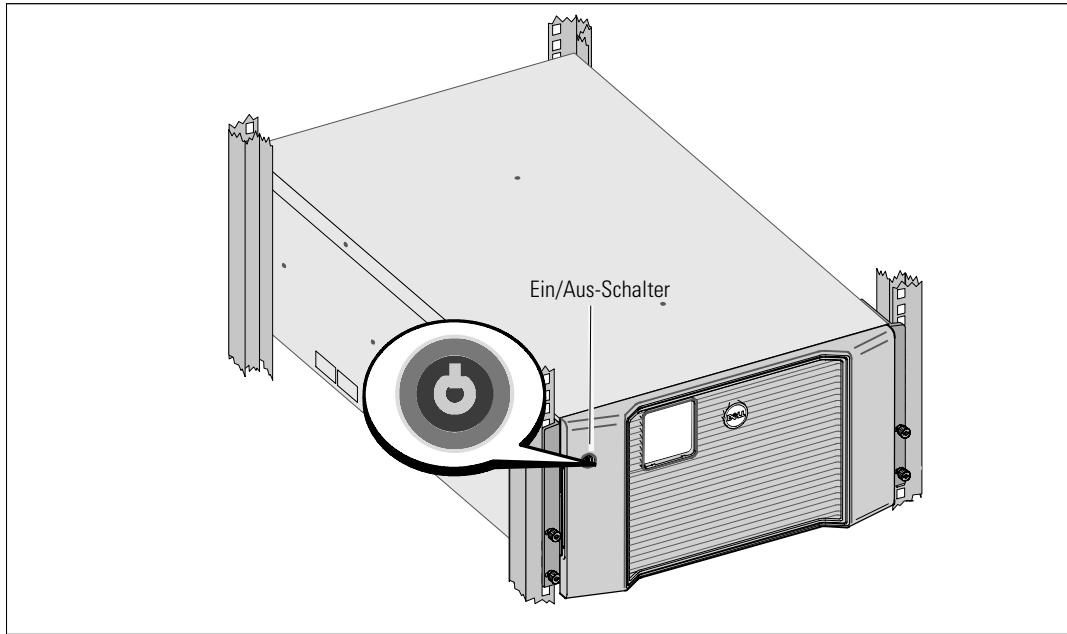
Leiterfunktion	Position der Klemmen	USV-Kabelfunktion	Nenngröße des Anschlussleiters*	Anzugsmoment
Eingang	1	Eingangserde	16–35 mm ² (8–2 American Wire Gauge)	1,7 Nm (15 lb-in)
	2	L2/Neutral Ein		
	3	L1 Ein		

* Mindestanforderung:

- 8 AWG als Geräte-Erdungsdraht, Kupferdraht min. 75°C verwenden
- 4 AWG als Netz- und Nullleiterdraht, Kupferdraht min. 75°C verwenden


- 7 Bringen Sie die Klemmenabdeckung wieder an.

Starten der USV



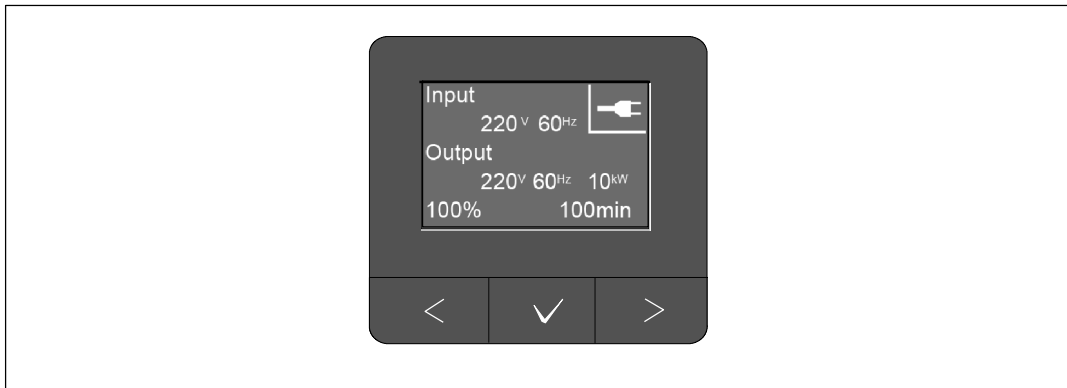
Inbetriebnahme der USV:

- 1 Stellen Sie sicher, dass die internen Akkus angeschlossen sind.
- 2 Sollte ein optionales EBM installiert sein, stellen Sie sicher, dass es an die USV angeschlossen ist. Weitere Informationen finden Sie in der *Erste Schritte mit dem Dell Online Rack EBM 10 kW*.
- 3 Prüfen Sie nach, ob alle Lastsegment-Überlastschalter eingeschaltet sind (ON).
- 4 Schalten Sie den Netzstromschalter ein.

Das LCD-Display der USV leuchtet auf. Der Dell-Startbildschirm wechselt zum Statusübersichtsbildschirm der USV. Die Display-Anzeige auf der Vorderseite der USV zeigt das blinkende Standby-Symbol  an.


- 5 Drücken Sie den Ein-/Aus-Schalter auf der Frontplatte.

Nach Abschluss des Hochfahrens wechselt der Status je nach Betriebsmodus der USV.



6 Wählen Sie auf dem Bildschirm mit der USV-Statusübersicht die Schaltfläche **>**, um zu prüfen, ob eine aktive Warnmeldung oder ein aktiver Hinweis vorliegt. Beheben Sie alle aktiven Warnmeldungen, bevor Sie den Vorgang fortsetzen. Siehe „Fehlerbehebung“ in der *Benutzeranleitung für die Dell Online-Rack-USV 10 kW*.

Falls keine Warnmeldungen aktiv sind, wird die Meldung „Keine aktiven Warnmeldungen“ angezeigt.

7 Vergewissern Sie sich, dass das Symbol  für „Normal“ auf dem Bildschirm mit der USV-Statusübersicht angezeigt wird. Hierdurch wird angezeigt, dass die USV ordnungsgemäß funktioniert und alle angeschlossenen Lasten mit Strom versorgt werden.

8 In der *Benutzeranleitung für die Dell Online-Rack-USV 10 kW* stehen Informationen zu Folgendem:

- Konfigurationsabläufe, wenn ein optionales erweitertes Akkumodul (EBM) installiert wurde
- Einstellen von Datum und Uhrzeit und Ändern anderer werkseitig eingestellter Standardwerte

9 Im Falle der Installation eines optionalen REPO muss der REPO-Betrieb getestet werden:

Externen REPO-Schalter aktivieren. Den Statuswechsel auf dem Display der USV überprüfen.

Den externen REPO-Schalter deaktivieren und die USV neu starten.

10 Laden Sie die Akkus.



HINWEIS: Die internen Akkus laden sich in weniger als drei Stunden auf bis zu 90 % Kapazität auf. Allerdings müssen Sie die Akkus nach der Installation oder nachdem das Gerät längere Zeit nicht in Gebrauch war, 48 Stunden lang aufladen.



ACHTUNG: Schließen Sie als Überladungsschutz für die USV jeweils eine Last an und vergewissern Sie sich, dass jedes geschützte Gerät vollständig hochgefahren wurde, bevor Sie die nächste Last anschließen.



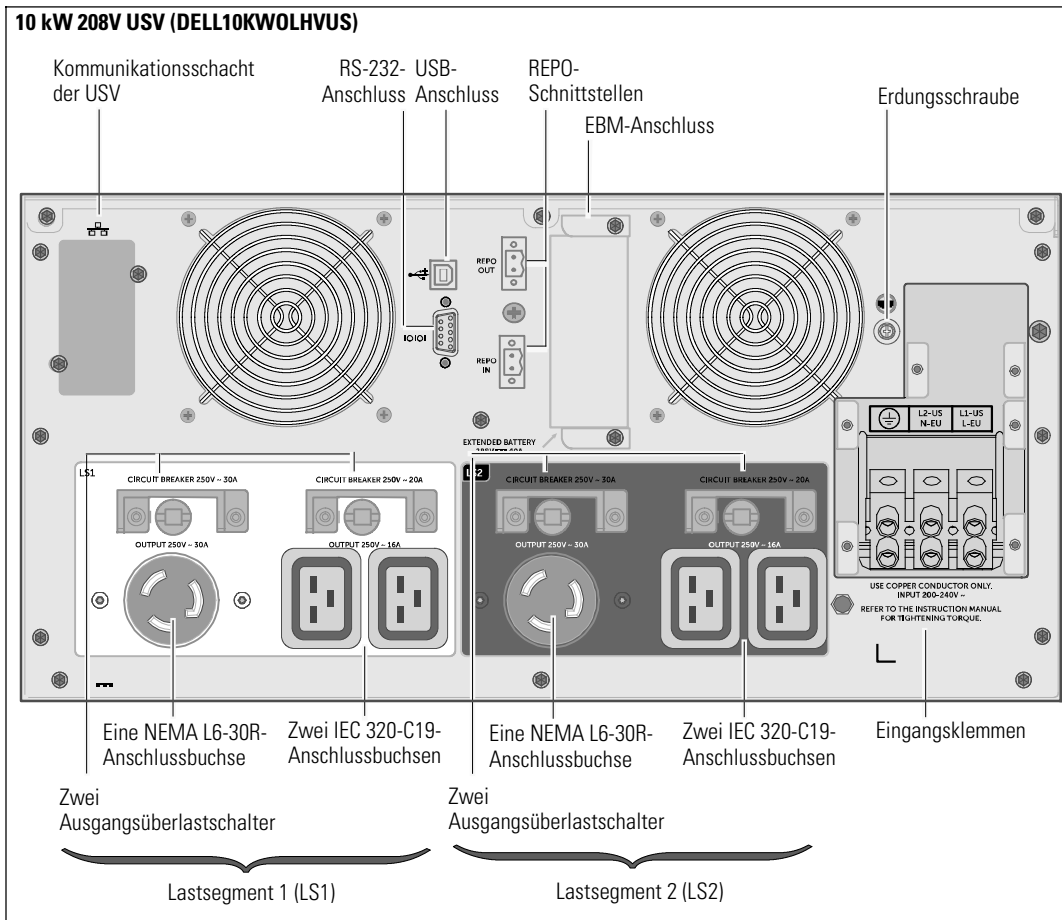
HINWEIS: Dell empfiehlt das Einstellen von Datum und Uhrzeit zur Fehlerbehebung oder aus Garantiegründen.

HINWEIS: Beim ersten Starten stellt die USV die Systemfrequenz in Übereinstimmung mit der Eingangsleitungsfrequenz ein (die automatische Messung der Eingangsfrequenz ist standardmäßig aktiviert). Nach dem ersten Starten wird die automatische Messung deaktiviert, bis Sie diese manuell aktivieren, indem Sie die Ausgangsfrequenzeinstellung verwenden.

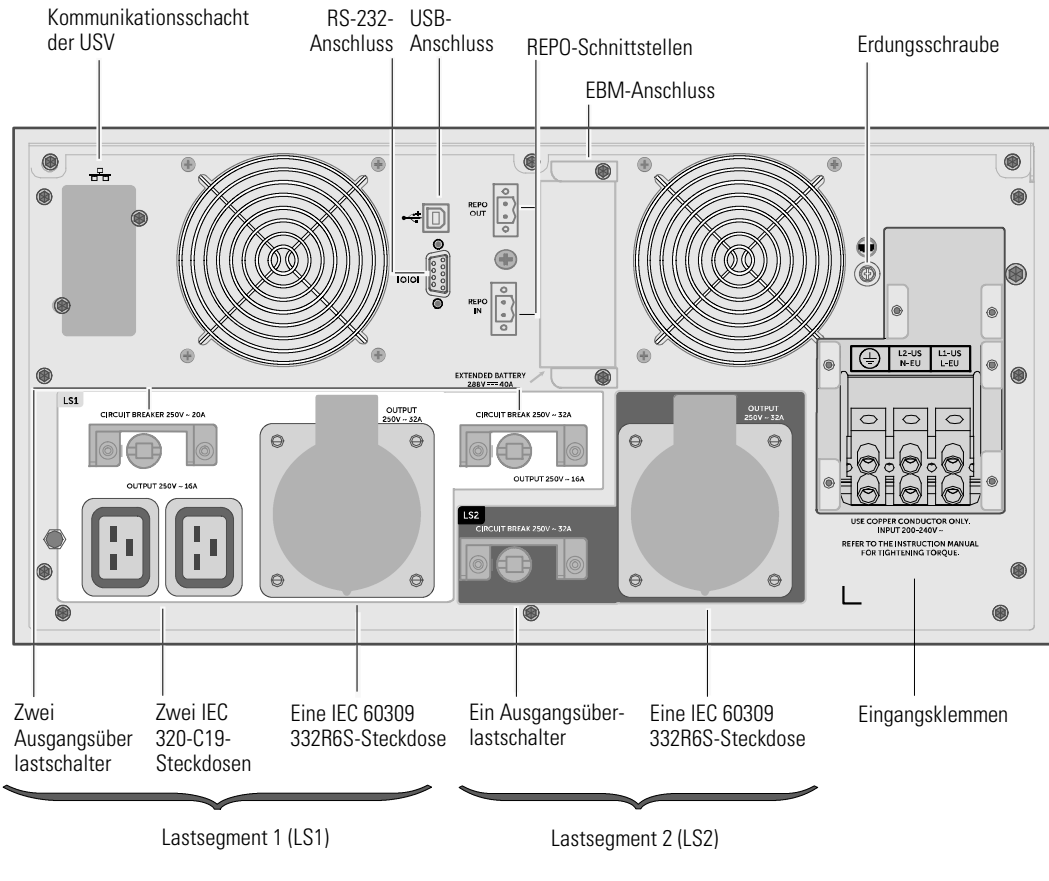
HINWEIS: Beim ersten Starten ist die automatische Messung der Eingangsspannung standardmäßig aktiviert. Danach wird nach dem Hochfahren die automatische Messung deaktiviert, bis Sie diese manuell aktivieren, indem Sie die Ausgangsspannungseinstellung verwenden.

Identifizieren der rückwärtigen Anschlussleisten der USV

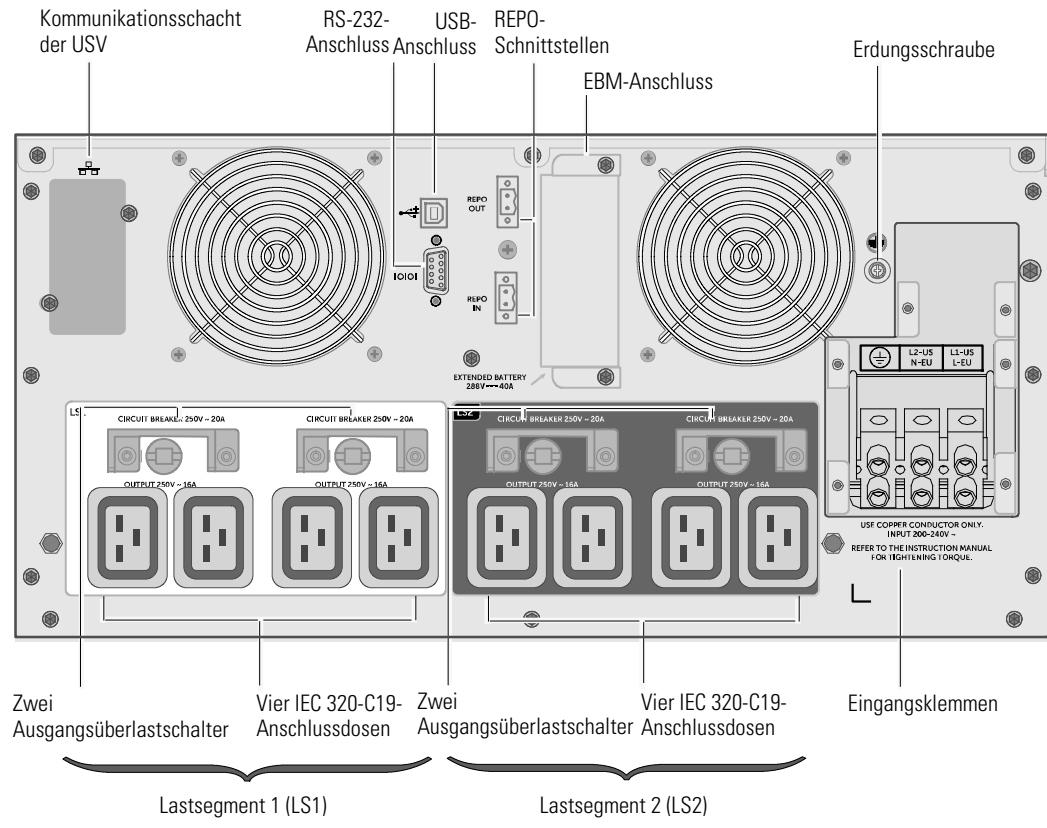
In diesem Abschnitt sind die rückseitigen Anschlussleisten der drei Dell Online-Rack 10 kW USV-Modelloptionen dargestellt.



10 kW 230V USV (DELL10KWOLHV)



10 kW 230V USV (DELL10KWOLHVB)



Онлайновый ИБП Dell™
устанавливаемый в стойке 10 kW

Начало работы
с системой

DELL10KWOLHVUS, DELL10KWOLHV, DELL10KWOLHVB
DELL10KWEBM



Примечания и предупреждения



ПРИМЕЧАНИЕ: Пометка «ПРИМЕЧАНИЕ» указывает на важную информацию, которая поможет пользователю более эффективно использовать программное обеспечение.



ОПАСНО: Пометка «ОПАСНОСТЬ» указывает на ситуации, чреватые непосредственной угрозой, которая, не будучи нейтрализованной, может привести к серьезной травме, в т.ч. с летальным исходом.



ПРЕДУПРЕЖДЕНИЕ: Пометка «ПРЕДУПРЕЖДЕНИЕ» указывает на потенциально опасную ситуацию, которая, не будучи нейтрализованной, может привести к травме, в т.ч. с летальным исходом.



ВНИМАНИЕ: Пометка «ВНИМАНИЕ» указывает на потенциально опасную ситуацию, которая, не будучи нейтрализованной, может привести к травмам легкой и средней степени тяжести или к повреждению имущества.



ОПАСНО: Следуйте приведенным ниже инструкциям, позволяющим предупредить непосредственную угрозу, которая, не будучи нейтрализованной, может привести к серьезной травме, в т.ч. с летальным исходом:

- В устройстве ИБП некоторые узлы находятся под **СМЕРТЕЛЬНО ОПАСНЫМ НАПРЯЖЕНИЕМ**. Все работы по ремонту и обслуживанию должны выполняться **ТОЛЬКО УПОЛНОМОЧЕННЫМ ОБСЛУЖИВАЮЩИМ ПЕРСОНАЛОМ**. В ИБП или ВБМ **НЕТ УЗЛОВ, ОБСЛУЖИВАЕМЫХ ПОЛЬЗОВАТЕЛЕМ**.

Информация в настоящем документе может быть изменена без предварительного уведомления.

© 2012 г., Dell Inc. Все права защищены.

Воспроизведение данного документа любым способом без письменного разрешения компании Dell Inc. категорически запрещено.

Товарные знаки, используемые в данном тексте: *Dell* и логотип *DELL* являются товарными знаками компании Dell Inc.

Наименование ENERGY STAR является зарегистрированным товарным знаком Агентства защиты окружающей среды США.

Остальные товарные знаки и торговые марки могут использоваться в этом руководстве для обозначения фирм, заявляющих свои права на товарные знаки и названия, или продуктов этих фирм. Компания Dell Inc. отказывается от любого права собственности на какие-либо товарные знаки или коммерческие названия, кроме своих собственных.

Декабрь 2012

Функции системы

Уникальные преимущества, обеспечивающие исключительную эффективность и надежность ИБП:


- Онлайн ИБП с чистой синусоидой на выходе.
- Технология двойного преобразования с высокой удельной мощностью, независимой от сети частотой питания и возможностью совместной работы с генератором.
- Понижающая и повышающая регулировка напряжения обеспечивает подачу стабильного напряжения на нагрузку путем коррекции колебаний напряжения.
- ИБП фильтрует входной переменный ток, контролирует его параметры и обеспечивает стабильное питание оборудования, не разряжая батарею.
- Выбираемый пользователем режим высокой эффективности.
- Высота СБП 5U.
- Функция запуска от батареи используется для питания ИБП даже при отсутствии питания от электросети.
- Возможность безопасной замены аккумуляторов без отключения ИБП от сети упрощает процедуру технического обслуживания.
- Сервисная информация Dell выводится на ЖК-дисплей передней панели.
- Длительное время работы с дополнительным модулем External Battery Module (EBM).
- Управление аварийным выключением через порты дистанционного аварийного выключения питания (REPO).
- Два стандартных коммуникационных портов (USB и последовательный порт RS-232).
- Дополнительная карта Dell Network Management Card (также известная как NMC) с усовершенствованными коммуникационными возможностями улучшает защиту по питанию и его мониторинг.
- Опциональный Powerware Environmental Monitoring Probe (EMP) для сбора информации о температуре и влажности в рамках удаленного мониторинга окружающей среды и экологии. Вы можете также получать информацию о статусе двух, предоставленных пользователем, контактных устройств.
- Усовершенствованное управление питанием при помощи PODell™ Multi-UPS Management Console (MUMC) and Dell™ UPS Local Node Manager (ULNM) обеспечивает надлежащее выключение нагрузки и мониторинг электропитания.
- Последовательное выключение и управление нагрузкой при помощи отдельных групп разъемов, называемых сегментами нагрузки.
- Легко обновляемое встроенное ПО: для его обновления нет необходимости обращаться в службу технической поддержки.
- Имеется аттестация международных организаций.
- ИБП сертифицированные ENERGY STAR®.



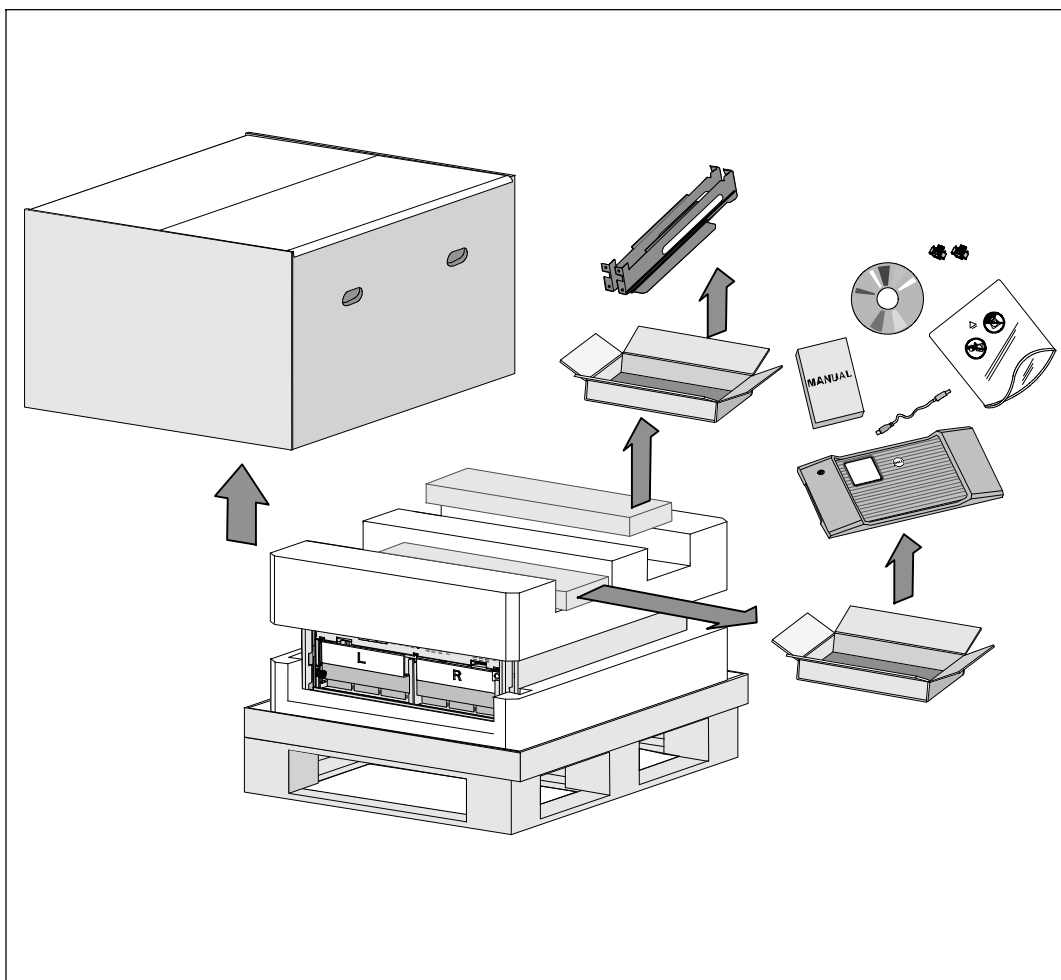
Получение информации



ВНИМАНИЕ! Документ *Информация о технике безопасности, охране окружающей среды и нормативная информация* содержит важные данные по безопасности.

Что вы ищете?	Найдите здесь
<ul style="list-style-type: none">Руководство пользователя для моего ИБПРуководство пользователя для Dell Network Management CardDell MUMC and Dell ULNM Руководство пользователя	<p>Диск ИБП Dell</p>  <p>ПРИМЕЧАНИЕ: Документацию и обновления программного обеспечения можно найти по адресу www.support.dell.com и www.dellups.com.</p>
<ul style="list-style-type: none">УточненияКак задавать настройки ИБППоиск и устранение неисправностей и разрешение проблемКак установить управление посредством REPO	<p>Руководство пользователя ИБП Dell</p> <p>Руководство пользователя доступно на диске ИБП Dell и на www.support.dell.com.</p>
<ul style="list-style-type: none">Инструкции по технике безопасностиНормативные документыИнформация об утилизации	<p>Информация по технике безопасности, соблюдению требований охраны окружающей среды и нормативные сведения</p>
<ul style="list-style-type: none">Информация о гарантииПостановления и условия (только для США)лицензионное соглашение для конечного пользователя	<p>Информация о гарантии и поддержке Dell</p>
<ul style="list-style-type: none">Информация о поддержке	<p>Сайт поддержки Dell www.support.dell.com</p> <p>ПРИМЕЧАНИЕ: Выберите свой регион или сегмент бизнеса для отображения соответствующего сайта поддержки.</p>

Установка и запуск



⚠ ВНИМАНИЕ! Перед выполнением процедуры, описанной в данной документации, прочтите и выполните инструкции по технике безопасности и ознакомьтесь с важным нормативным документом *Информация о технике безопасности, охране окружающей среды и нормативная информация*.

⚠ ВНИМАНИЕ! Распаковка корпуса при низкой температуре может привести к конденсации влаги на внутренних и наружных поверхностях корпуса. Не устанавливайте корпус до полного высыхания его внутренних и наружных поверхностей (во избежание поражения электрическим током).

⚠ ВНИМАНИЕ! Установка и извлечение батарей должно осуществляться или контролироваться персоналом, хорошо знающим батареи и требования техники безопасности. Не допускайте к аккумуляторным батареям посторонних.

⚠ ВНИМАНИЕ! Корпус тяжелый (99 кг/218 фунт): Перед подъемом корпуса всегда извлекайте лотки батарей из ИБП. Для подъема корпуса в стойку требуется не менее двух человек.

⚠ ВНИМАНИЕ! Батареи тяжелые (32 кг/71 фунт). Правильно извлекайте батареи.

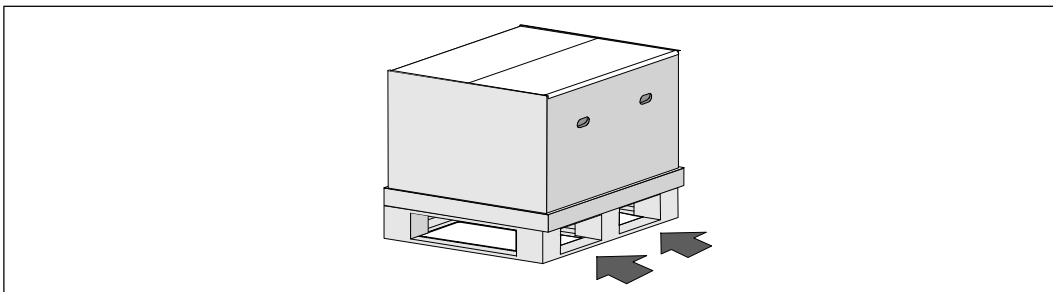
✍ ПРИМЕЧАНИЕ. Проявляйте осторожность при перемещении и открытии упаковочной тары. Оставляйте детали в упаковке вплоть до момента установки.

В данном разделе описываются этапы настройки системы, если настройка выполняется впервые.

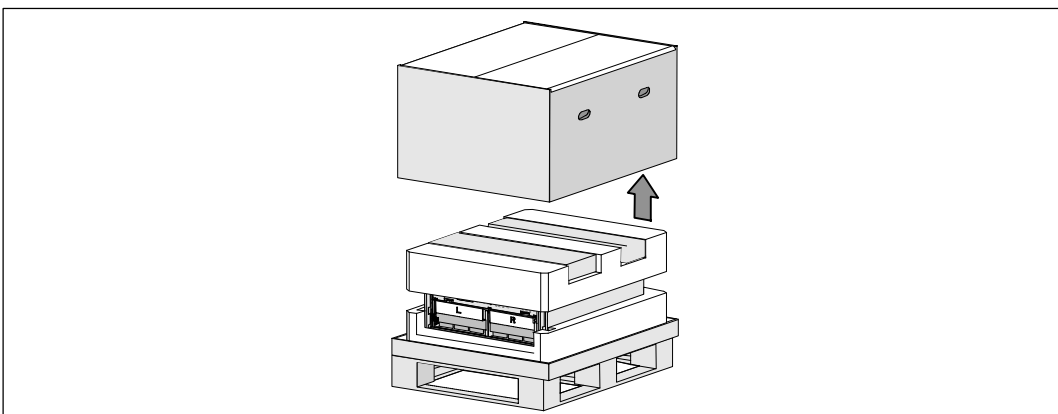
Распаковка корпуса

Для распаковки системы:

1 Используйте вилочный погрузчик или рохлю, переместите коробку и поддон к стойке, на которую вы будете устанавливать ИБП.




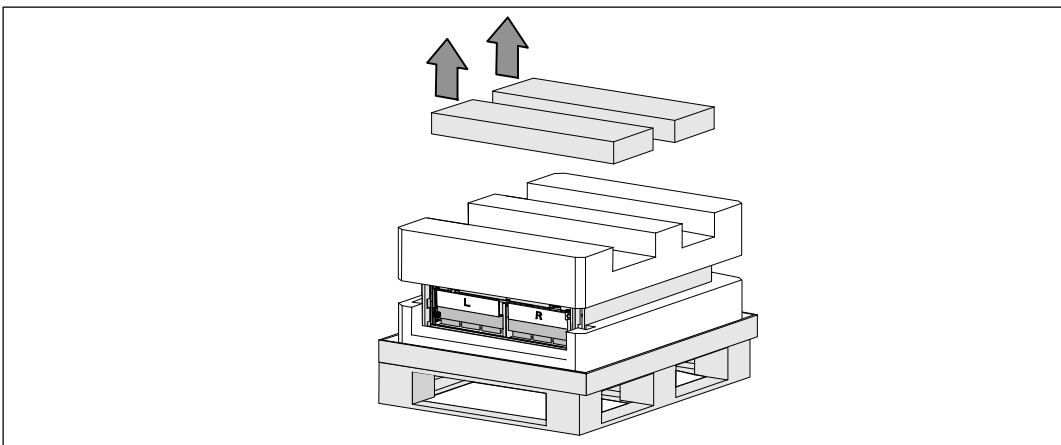
2 Снимите и удалите внешнюю упаковку.



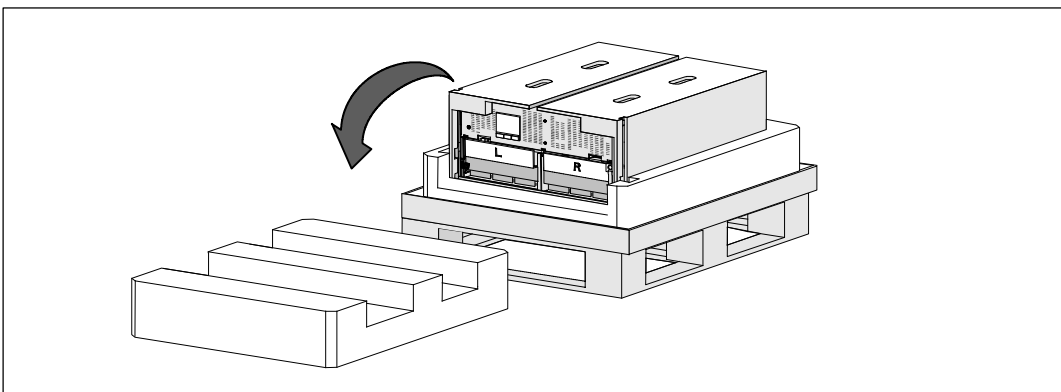
3 Выньте два ящика с принадлежностями, находящиеся в рельефных каналах в верхней части пенопласта.

4 Откройте ящики с принадлежностями и установите их на ровную устойчивую поверхность неподалеку.

 **ПРИМЕЧАНИЕ.** Руководство пользователя онлайнного 10 кВт ИБП Dell при установке в стойке предоставляет информацию по распаковке и установке. Достаньте его из ящика с принадлежностями.



5 Снимите верхнюю часть пенопласта и установите его на ровную устойчивую поверхность неподалеку.





ПРИМЕЧАНИЕ. Обозначения **L** (Левое) и **R** (Правое) на крепежных контейнерах указывают на то, где они должны быть установлены.

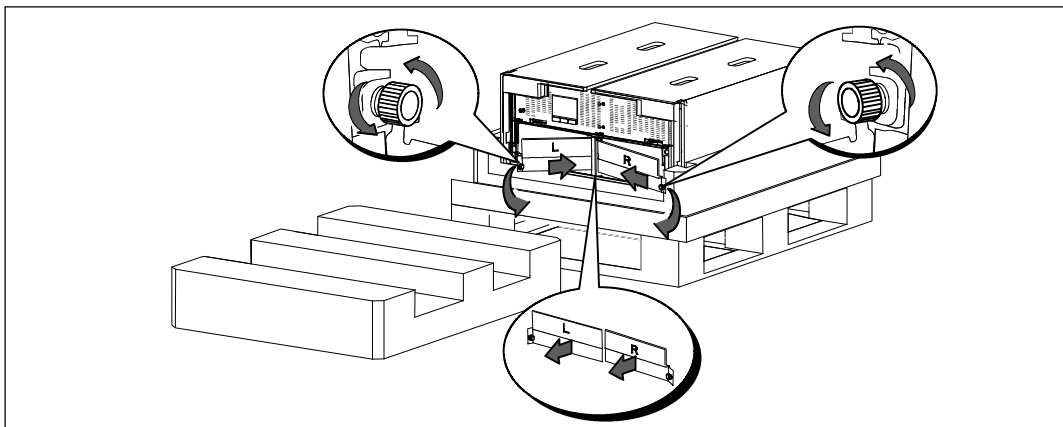
6 Снимите кронштейны крепления батареи с ИБП:

Найдите левый (помечен буквой **L**) кронштейн крепления. На левой стороне корпуса поверните винт-барашек против часовой стрелки, чтобы освободить левый кронштейн крепления.

Отодвиньте кронштейн к центральной стойке, чтобы освободить его из корпуса. Поверните кронштейн крепления к себе и потяните его влево, чтобы убрать его. Уберите кронштейн крепления в сторону.

Найдите правый (обозначенный буквой **R**) кронштейн крепления. На правой стороне корпуса поверните винт-барашек против часовой стрелки, чтобы освободить правый кронштейн крепления.

Отодвиньте кронштейн к центральной стойке, чтобы освободить его из корпуса. Поверните кронштейн крепления к себе и потяните его вправо, чтобы убрать его. Уберите кронштейн крепления в сторону.



7 Убедитесь, что все разъемы батареи отключены.



ВНИМАНИЕ! Батареи тяжелые (32 кг/71 фунт). Правильно извлекайте батареи.

8

Извлеките коробку с батареями из ИБП:

Отсоедините разъемы батареи ИБП и поместите их на батарейный отсек, чтобы они не мешали.

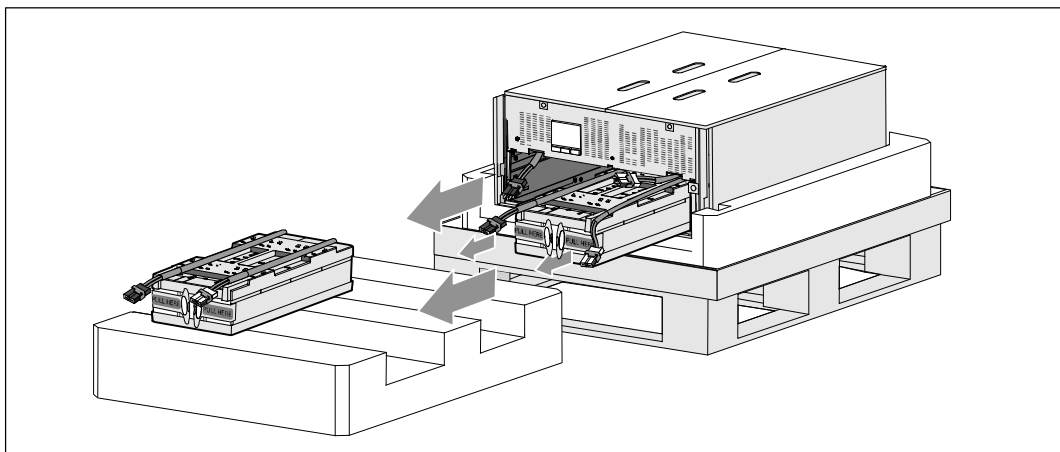
Возьмитесь за два пластиковых петлевых ушка на передней панели батареи. Потяните лоток на себя, чтобы освободить его.



ПРИМЕЧАНИЕ. Оранжевая метка **ПОТЯНУТЬ ЗДЕСЬ** указывает, где нужно взяться за петлевые ушки.

Установите батарейный отсек на участке пенопласта, который вы сняли с верхней части ИБП.

Повторите процедуру для второго лотка батареи.

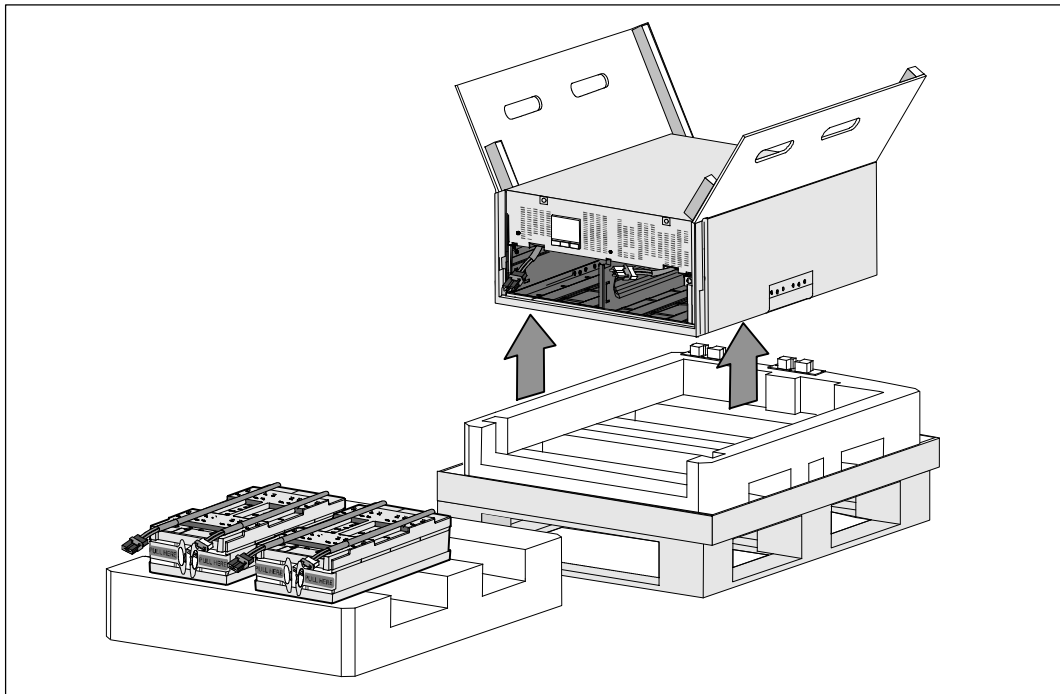




ВНИМАНИЕ! Корпус тяжелый (46 кг/101 фунт), даже если батареи сняты. Для извлечения корпуса из картонного поддона для транспортировки требуется не менее двух человек.

9

Два человека (по одному человеку с каждой стороны) должны осторожно вынуть корпус из пенопласта за ручки на картоне.











10

Установите корпус на ровную устойчивую поверхность на защищенной территории возле стойки, в которую вы собираетесь его установить.



ПРИМЕЧАНИЕ. Поместите в хорошо проветриваемое защищенное место, где отсутствует влага, воспламеняющиеся газы и коррозия.

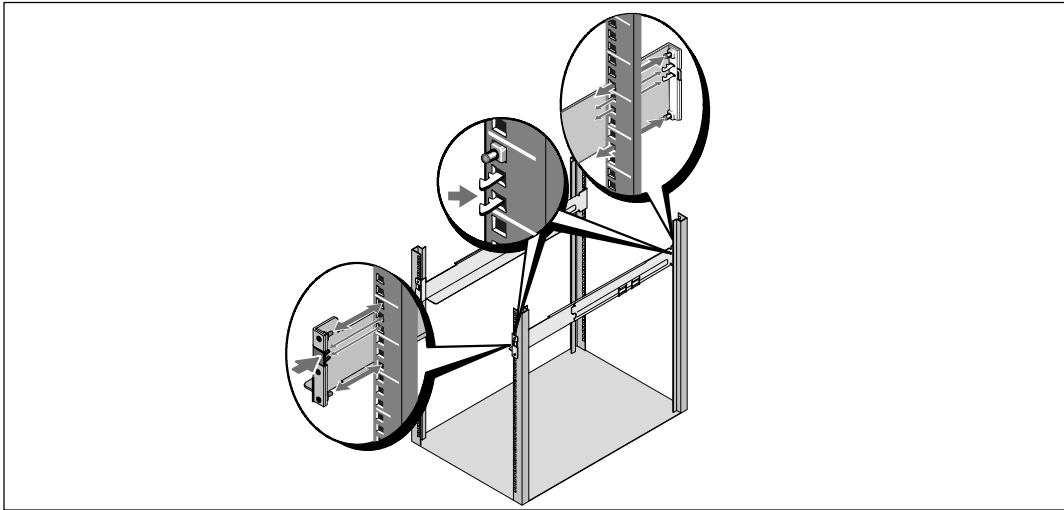
Вариант установки в стойке

-  **ВНИМАНИЕ!** Корпус тяжелый (99 кг/218 фунт). Всегда вынимайте из ИБП оба лотка перед подъемом корпуса и установкой ИБП на салазках в стойку. Для подъема корпусов на стойку требуется не менее двух человек.
-  **ВНИМАНИЕ!** Установка или извлечение батарей должно осуществляться или контролироваться персоналом, хорошо знающим батареи и требования техники безопасности. Не допускайте к аккумуляторным батареям посторонних.
-  **ВНИМАНИЕ!** Батареи тяжелые (32 кг/71 фунт). Правильно извлекайте батареи.
-  **ВНИМАНИЕ!** При установке дополнительного ЕВМ, ЕВМ должен быть расположен под ИБП без пространства между ИБП и ЕВМ. Это обеспечивает лучшее распределение веса в стойке, более легкий доступ к панели управления ИБП, и более легкое размещение кабельных соединений батареи. Это также позволяет избежать натяжения между кабелем ЕВМ и соединением ИБП, а также возможного нарушения соединения.
-  **ПРЕДУПРЕЖДЕНИЕ.** В отношении систем, монтируемых на стойке: При установке нескольких систем на стойке завершите все действия с одной системой, перед тем как приступить к установке следующей.
-  **ПРИМЕЧАНИЕ.** Направляющие необходимы для установки каждого корпуса.
-  **ПРИМЕЧАНИЕ.** Корпус поставляется со снятым гнездом передней крышки.
-  **ПРИМЕЧАНИЕ.** Следующие инструкции являются одинаковыми как для стоек с квадратными отверстиями, так и для стоек с круглыми отверстиями без резьбы. Направляющие подходят для обоих видов стоек.

Для установки ИБП на направляющие:

- 1** Убедитесь, что следующее размещено на ровную устойчивую поверхность у стойки, где вы будете устанавливать ИБП:
 - корпус
 - два ящика с принадлежностями ИБП
 - два лотка (только ИБП)
 - два кронштейна крепления (только ИБП)

Установка направляющих



- 2 Достаньте салазки из отсека для салазков, что в ящике с принадлежностями.
- 3 Выберите надлежащие отверстия в направляющих для размещения корпуса в желаемом месте стойки.

Найдите направляющие в нижней части зоны 5U, выделенной для ИБП.



ВНИМАНИЕ! При установке дополнительного ЕВМ, убедитесь, что ЕВМ расположен сразу под ИБП без пространства между ИБП и ЕВМ.



ПРИМЕЧАНИЕ. Обратите внимание на надписи на направляющих для правой передней (**надпись RIGHT FRONT**) и для левой передней (**надпись LEFT FRONT**). Направляющие должны быть установлены именно таким образом.

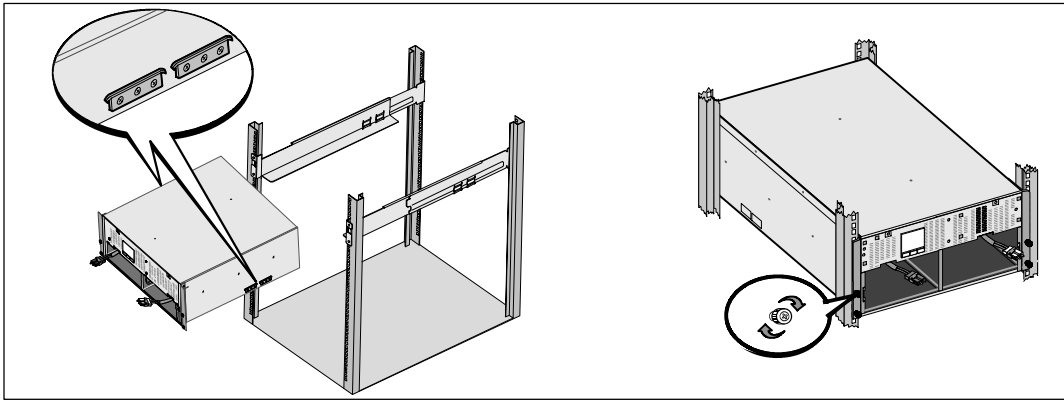
- 4 Установите левую и правую салазки как показано на рисунке. Прикрепите левую и правую направляющие к стойке:

Зацепите задний конец направляющей таким образом, чтобы он полностью сел на фланец вертикальной стойки, а замок закрылся со щелчком.

Потяните за направляющие так, чтобы они слегка выступали за переднюю панель стойки.

Надавите на передний конец направляющей таким образом, чтобы он полностью сел на фланец вертикальной стойки, а замок закрылся со щелчком.

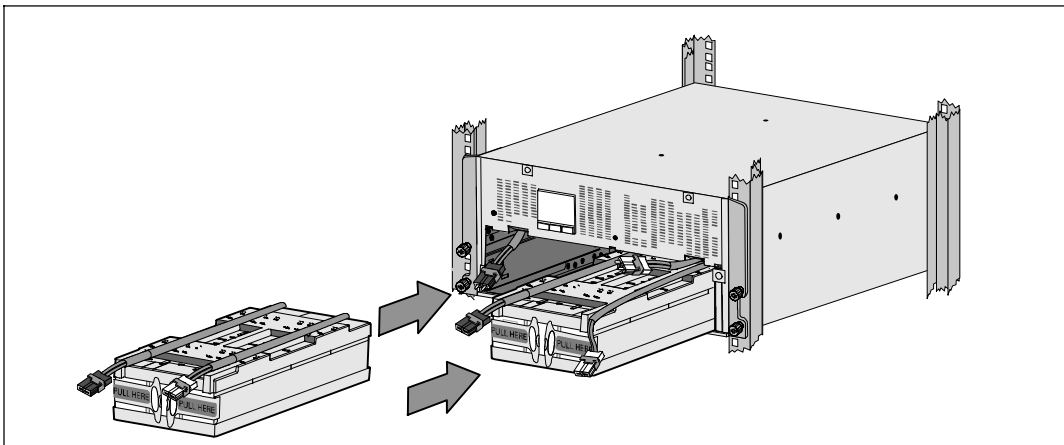
Установка и фиксация корпуса



! **ВНИМАНИЕ!** Корпус тяжелый (46 кг/101 фунт), даже если батареи сняты. Для подъема корпуса в стойку требуется не менее двух человек.

- 5** Установите корпус на направляющие и задвиньте в стойку.
- 6** Закрепите переднюю часть корпуса на стойке при помощи четырех винтов с накатанной головкой на монтажных кронштейнах. Затяните винты по часовой стрелке вручную, без использования силового инструмента.

Установка полок для батарей



- 7** Найдите лотки батарей, которые вы положили возле стойки.



ВНИМАНИЕ! Батареи тяжелые (32 кг/71 фунт). Правильно поднимайте батареи при установке.



ПРИМЕЧАНИЕ. Лотки батареи могут быть установлены в любой из батарейных отсеков.



ПРИМЕЧАНИЕ. Вставьте лоток так, чтобы предупреждающая стрелка указывала вверх.

8

Установка полок для батарей:

Поместите разъемы батареи ИБП на батарейный отсек, чтобы они не мешали.

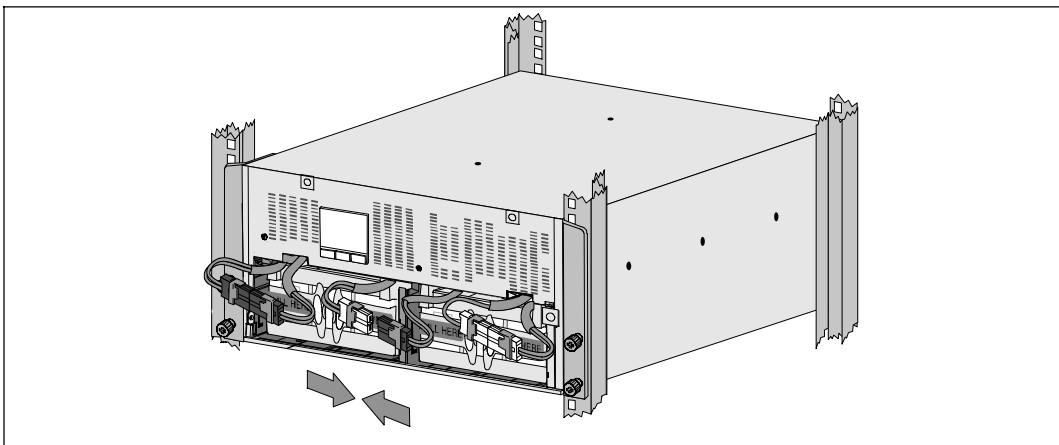
Полностью вдвиньте блок батареи в батарейный отсек.

Повторите процедуру для второго лотка батареи.

9

Заправьте петлевые ушки в пластиковый рукав на передней панели каждого батарейный отсека, чтобы они вам не мешали.

Подключение разъемов внутренних батарей



10

Подключите разъемы внутренней батареи:

Подсоедините дальний левый разъем лотка батареи к фиксируемому разъему ИБП.

Подсоедините дальний правый разъем лотка батареи к фиксируемому разъему ИБП.



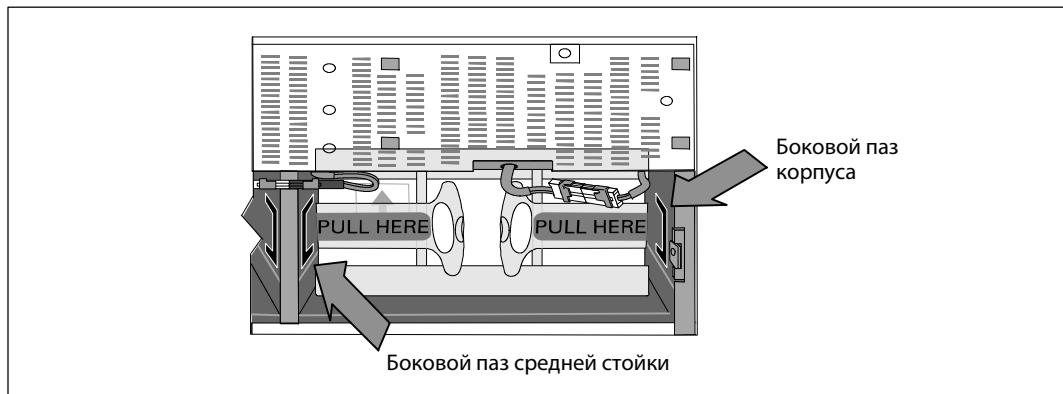
ПРИМЕЧАНИЕ. При подключении батарей возможно незначительное искрение. Это нормальное явление; оно не повреждает ИБП и не опасно.

Найдите и подключите перемычки батареи, расположенные на обеих кромках средней стойки. Поместите разъемы на небольшой полке в верхней части средней стойки.



ПРИМЕЧАНИЕ. Подключая перемычки центральной батареи, вы последовательно соединяете два лотка батарей.

Замена кронштейна крепления батареи



ПРИМЕЧАНИЕ. Обозначения **L** (Лево) и **R** (Право) на крепежных контейнерах указывают на то, где они должны быть установлены.

11 Снимите левый (**L**) и правый (**R**) крепежные кронштейны батарей:

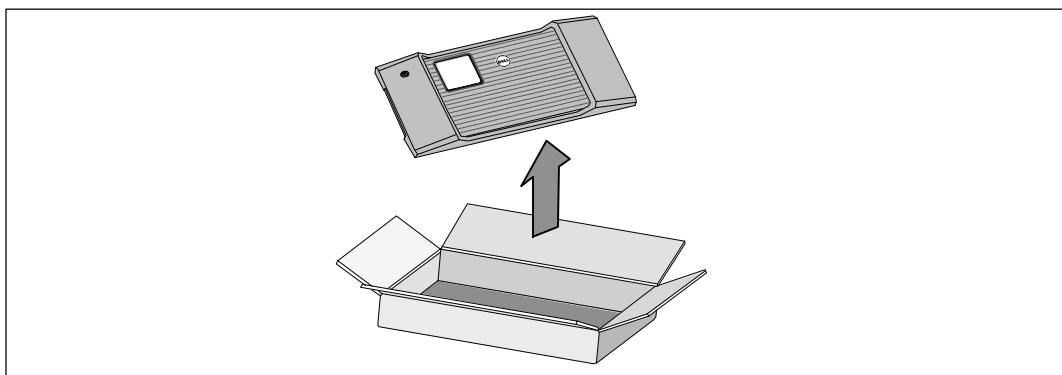
Для первой скобы батареи, вставьте кронштейн в паз на стенке средней стойки. Плотно закрепите соединительные кабели батареи за кронштейном.

Выровняйте край скобы батареи с помощью канала на корпусе. Сдвиньте кронштейн, пока он прочно не зафиксируется в боковом пазу.

Поверните винт-барашек по часовой стрелке, чтобы закрепить кронштейн.

Повторите процедуру для крепежного кронштейна второй батареи.

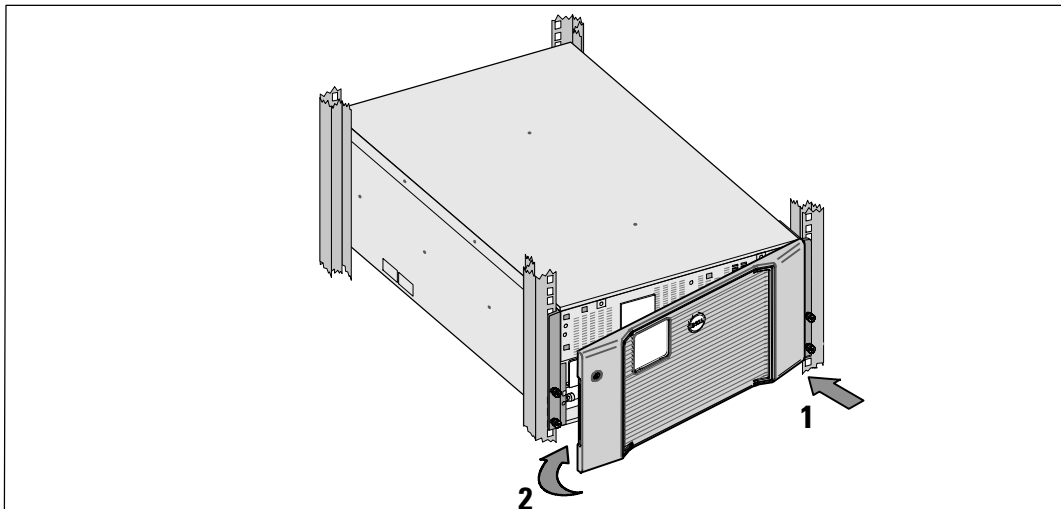
Установка передней крышки ИБП



12 Снимите переднюю крышку ящика с принадлежностями.



ПРИМЕЧАНИЕ. Держите диск с программным обеспечением, кабель связи, а также (при необходимости) разъемы переключателя удаленного аварийного отключения (REPO) в ящике с принадлежностями, пока не установите ИБП.



13 Установите переднюю крышку ИБП:

Выровняйте переднюю панель с передней частью корпуса.

Вставьте правые выступы на передней крышке в отверстия на правой стороне корпуса.

Нажимайте на левую сторону крышки, пока она не защелкнется в корпус.



ПРИМЕЧАНИЕ. Перед закреплением крышки корпуса ИБП, убедитесь, что ЖК-панель на корпусе совпадает ЖК экраном на передней панели.




14 Удалите в отходы или утилизируйте упаковку согласно установленным правилам или сохраните ее для будущего использования.

Подключение оборудования

Порядок установки ИБП

1 Если вы планируете использовать Dell MUMC and Dell ULNM программное обеспечение, установить связь одним из следующих способов:


- используя Dell Network Management Card (если она установлена)
- с помощью прилагаемого кабеля для подключения компьютера к USB порту

 **ПРИМЕЧАНИЕ.** Для получения дополнительной информации о вариантах коммуникационных подключений смотрите *Руководство пользователя онлайнного 10 кВт ИБП Dell при установке в стойке*.

2 Если стойка оснащена проводниками для заземления незаземленных металлических деталей, подсоедините кабель заземления (не входит в комплект поставки) к винту заземления. Информацию о расположении заземляющего винта для каждой из трех моделей см. в разделе «Задние панели ИБП» на странице 104.


3 Если местные нормативы требуют наличия аварийного (отключающего) выключателя питания, смотрите раздел «Установка дистанционного аварийного выключателя питания» в *Руководство пользователя онлайнного 10 кВт ИБП Dell при установке в стойке*.

4 Инструкции по установке дополнительного ЕВМ смотрите в разделе ЕВМ Dell на стойке 10 кВт Начало работы с системой.

 **ВНИМАНИЕ!** Если ИБП хранится или используется без ЕВМ, крышка разъема батарей на задней панели ИБП должна быть установлена в качестве меры предосторожности.

5 Подключите оборудование, которое необходимо предохранить от скачков напряжения, к выходным гнездам ИБП, но не включайте его.

6 Проверьте надежность подключения и отсутствие натяжения кабелей.

 **ПРИМЕЧАНИЕ.** Во избежание перегрузки убедитесь в том, что общая паспортная мощность оборудования не превышает мощность ИБП.

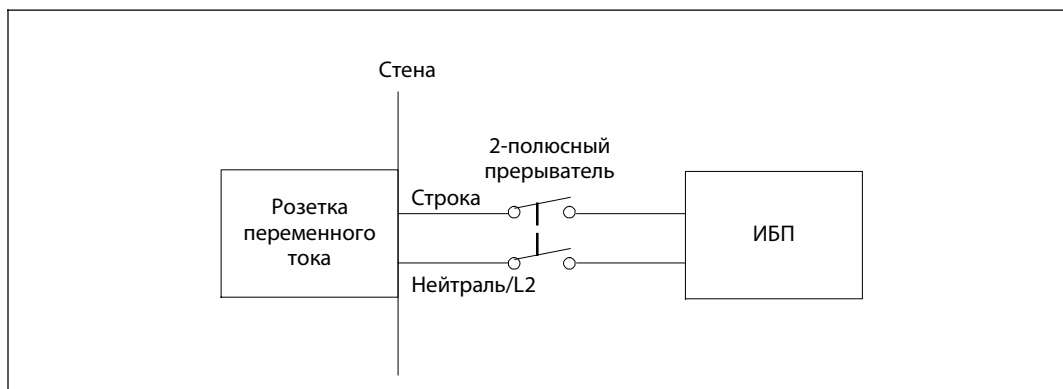
Фиксированный монтаж на входе ИБП



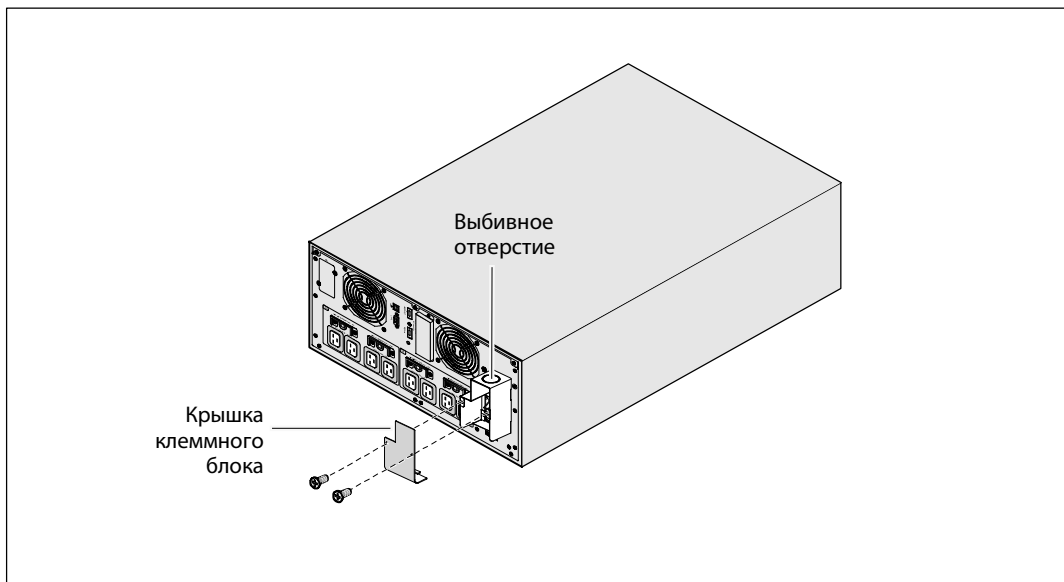
ПРЕДУПРЕЖДЕНИЕ. Существует опасность поражения электрическим током. Установка электрооборудования может выполняться только квалифицированным обслуживающим персоналом (например, сертифицированным электриком).

Модели Dell Rack требуют выделенной ответвленной цепи, отвечающей следующим требованиям:

- Предохранительное устройство требует наличия двухполюсного устройства рассоединения между входом ИБП и сетью
- Выключатель должен быть установлен на стене и быть легко доступным для оператора
- **Для Европы.** Размыкатель должен отвечать стандарту IEC/EN 60934 и иметь контактный воздушный просвет не менее 3 мм.
- 200С240 В переменного тока
- Однофазная
- 50/60 Гц
- Гибкий металлический кабелепровод (рекомендуется для облегчения обслуживания и ремонта)



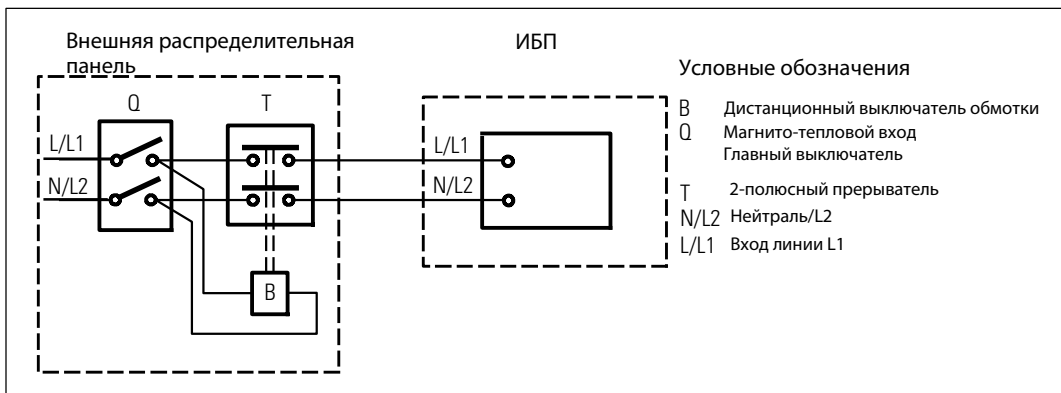
Снятие крышки клеммной колодки



- 1** Выключите подачу тока на точке распределения, где будет подключен ИБП. Убедитесь наверняка в отсутствии электропитания.
- 2** Удалите крышку клеммной колодки (два винта) и сохраните ее.
- 3** Сделайте выбивное отверстие в крышке клеммного блока для входного кабелепровода. В отверстие должен входить 1" или 1.5" (25.4 мм или 38.1 мм) промежуточный металлический кабелепровод (IMC).



ВНИМАНИЕ! Если на ИБП нет автоматического устройства защиты от обратного тока, установите внешнее изолирующее устройство. После установки устройства необходимо прикрепить на внешний замыкатель переменного тока предупреждающую наклейку следующего (или эквивалентного) содержания: **РИСК НАПРЯЖЕНИЯ ОБРАТНОГО ТОКА. Изолируйте ИБП перед работой на этой цепи, затем проверьте отсутствие опасного напряжения на всех клеммах.**



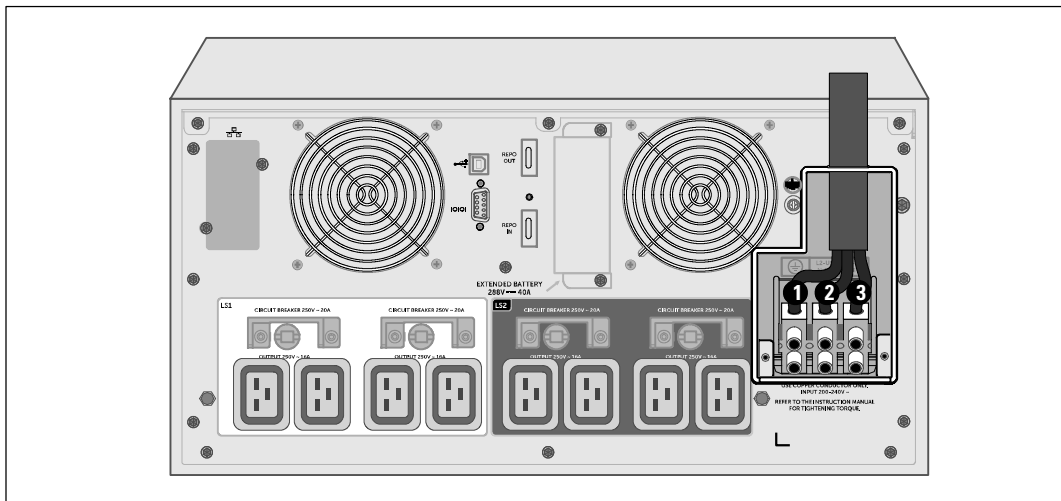
В следующей таблице перечислены замыкатели переменного тока, которые могут использоваться как защитные устройства от обратного тока. Используйте только указанные в таблице замыкатели переменного тока.

Производитель	Тип	Номинал
ABB Франция (E12527)	A75-30	220÷240 В пер. тока, 105А 25 НР при 208В, 30НР при 240В
Tianshui 213 Electrical Apparatus Co., Ltd. (E203071) (дополнительный)	GSC1(CJX4-d)-6511	220÷240 В пер. тока, 68А 25 НР
Tianshui 213 Electrical Apparatus Co., Ltd. (E203071) (дополнительный)	GSC1(CJX4-d)-8011	220÷240 В пер. тока, 80А 30 НР



ПРИМЕЧАНИЕ. Несмотря на то, что ИБП не снабжен защитными реле от обратного тока (ABF), некоторая защита от обратного тока предусмотрена. Например, если некоторые компоненты повреждены в режиме работы от батареи, выходное напряжение может подаваться на вход. В этом случае трансформатор тока (ТТ) используется для обнаружения байпаса напряжения обратного тока. Если обнаруживается напряжение обратного тока, ИБП прекращает выход на инверторе, чтобы избежать травм.

Установка входных и заземляющих проводов



- 4 Протяните входной провод через кабелепровод, оставив около 0,5 м открытого провода. Присоедините гибкий металлический патрубок к концу кабелепровода.
- 5 Вставьте кабелепровод через отверстие для ввода проводов и присоедините патрубок кабелепровода к панели. Зачистите" конец каждого входящего провода на 1,5 см (0,5).
- 6 Подключите входной и заземляющий провода к клеммной колодке в соответствии с Характеристиками электропроводки ИБП, указанными в следующей таблице.

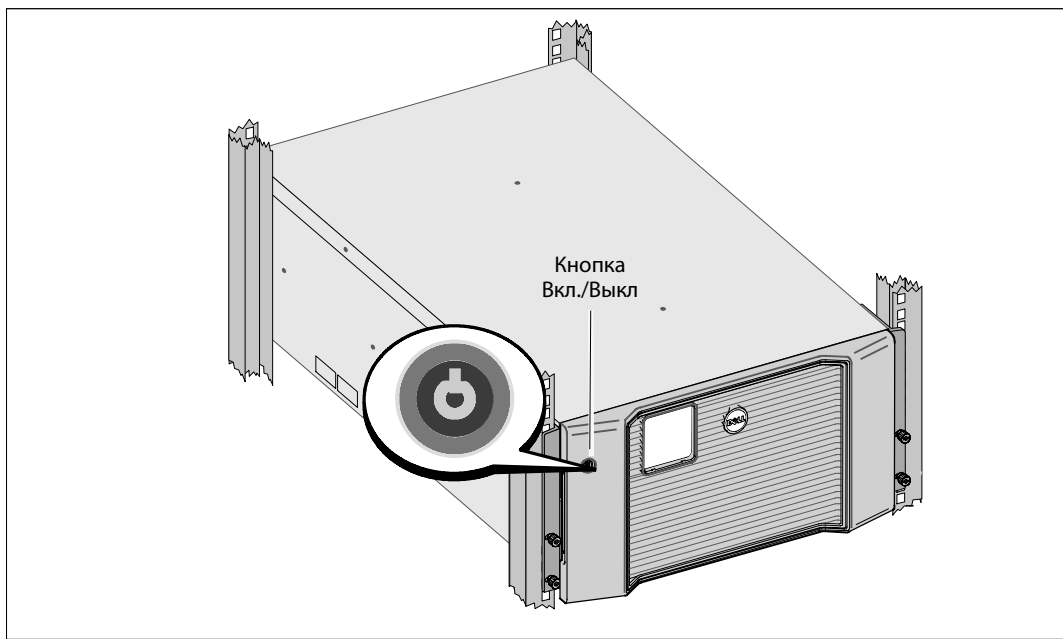
Функция провода	Положение клеммы	Функция провода ИБП	Номинальное сечение клеммного провода*	Момент затяжки
Уровень входа	1	Ввод, заземление	16с35 мм ² (8с2 AWG)	1.7 Нм (15 фунт-дюйм)
	2	L2/Вход, нуль		
	3	Вход L1		

* Обеспечить минимально допустимое значение:

- 8 Характеристика проводов заземления оборудования по AWG, 75 °С, медный провод, минимальное требование
- 4 Характеристика проводов входной линии и нейтрали по AWG, 75°С, медный провод, минимальное требование


- 7 Снимите крышку клеммной колодки.

Запуск ИБП



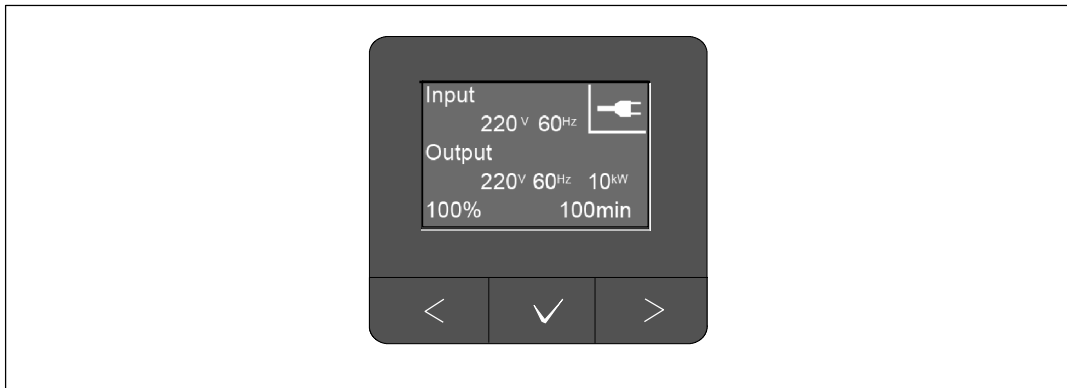
Порядок запуска ИБП

- 1 Убедитесь в том, что внутренние батареи подключены.
- 2 При опциональной установке ЕВМ проверьте, чтобы ЕВМ было подключено к ИБП. Для получения более подробной информации обратитесь к ЕВМ Dell на стойке 10 kW Начало работы с системой.
- 3 Проверьте, чтобы все сегменты загрузки прерывателя цепи были в положении «ВКЛ».
- 4 Включите главный автомат защиты.

Загорается дисплей ЖК панели ИБП. Экран запуска Dell меняется на итоговый экран состояния ИБП. Дисплей передней панели ИБП отображает мигающую пиктограмму режима ожидания .


- 5 Нажмите на кнопку Вкл./Выкл на передней панели ИБП.

После завершения запуска состояние изменится в соответствии с режимом работы ИБП.



- 6** На итоговом экране состояния ИБП нажмите кнопку **>**, чтобы проверить наличие активных аварийных сигналов или извещений. Примите соответствующие меры в отношении всех активных предупреждений, прежде чем продолжить работу. Смотрите раздел «Поиск и устранение неисправностей» в *Руководство пользователя онлайнного 10 кВт ИБП Dell при установке в стойке*.

В случае отсутствия активных аварийных сигналов появится сообщение «Активные аварийные сигналы отсутствуют».

- 7** Убедитесь в том, что на итоговом экране состояния ИБП появилась пиктограмма обычного режима , обозначающая, что ИБП работает нормально и подает электропитание на имеющиеся нагрузки.
- 8** В разделе *Руководство пользователя онлайнного 10 кВт ИБП Dell при установке в стойке* представлена следующая информация:
- Процедура настройки установленного дополнительного внешнего батарейного модуля (ЕВМ)
 - Для установки даты и времени, а также изменения других заводских настроек по умолчанию
- 9** При установке дополнительного дистанционного аварийного выключателя питания проверьте функцию дистанционного аварийного выключения питания:
- Включите внешний дистанционный аварийный выключатель питания. Проверьте изменение состояния на экране ИБП.
- Отключите внешний дистанционный аварийный выключатель питания и перезапустите ИБП.
- 10** Зарядите батареи.



ПРИМЕЧАНИЕ. Внутренние батареи ИБП заряжаются до 90 % емкости менее чем за три часа. Однако, после установки или длительного хранения необходимо заряжать аккумуляторы в течение 48 часов.



ВНИМАНИЕ! Для предотвращения условий перегрузки ИБП, одновременно подключайте одну нагрузку и прежде чем подключать следующие нагрузки, убедитесь в том, что каждое защищенное устройство запустилось полностью.



ПРИМЕЧАНИЕ. Dell рекомендует настроить дату и время в целях устранения неисправностей или определения гарантии.



ПРИМЕЧАНИЕ. При первом запуске ИБП настраивает частоту системы в соответствии с частотой питающей линии (функция автоматического определения входной частоты включена по умолчанию). После первоначального запуска функция автоматического определения отключается до тех пор, пока вы не включите ее повторно вручную при настройке выходной частоты.

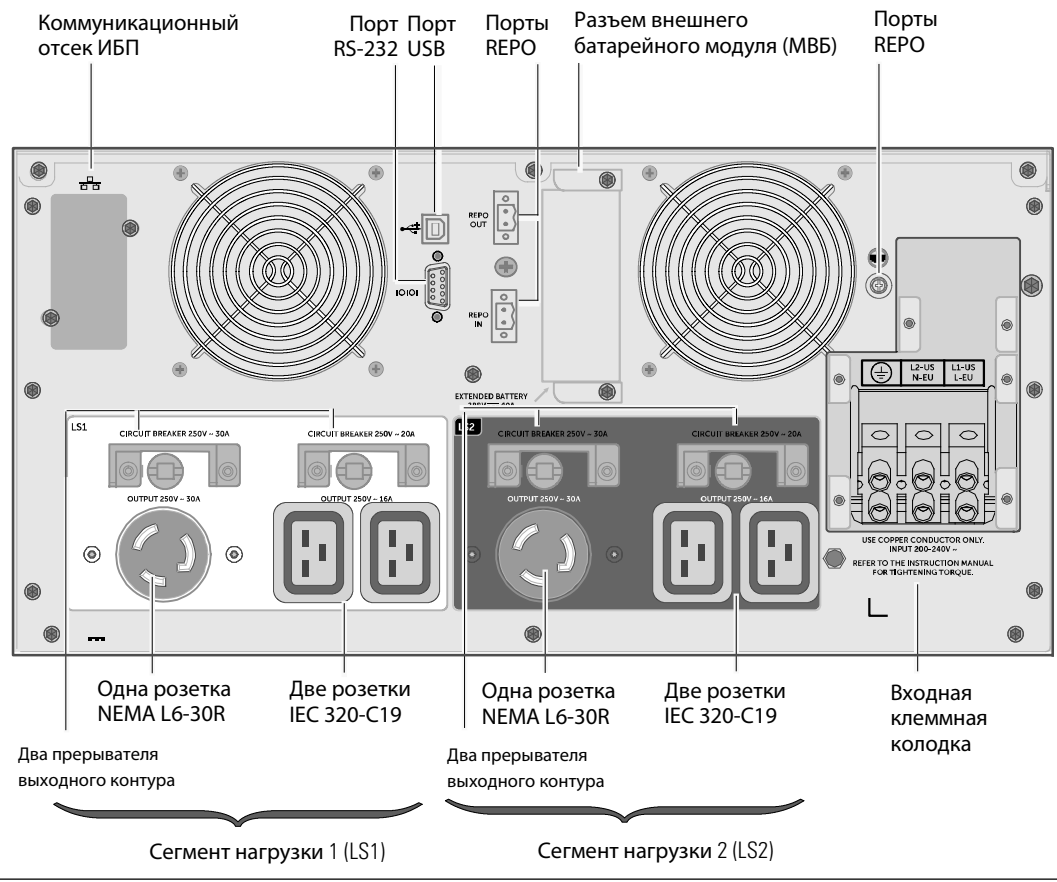


ПРИМЕЧАНИЕ. Начальный запуск, входное напряжение включены по умолчанию. После последующих запусков функция автоматического определения отключается до тех пор, пока вы не включите ее повторно вручную при настройке выходного напряжения.

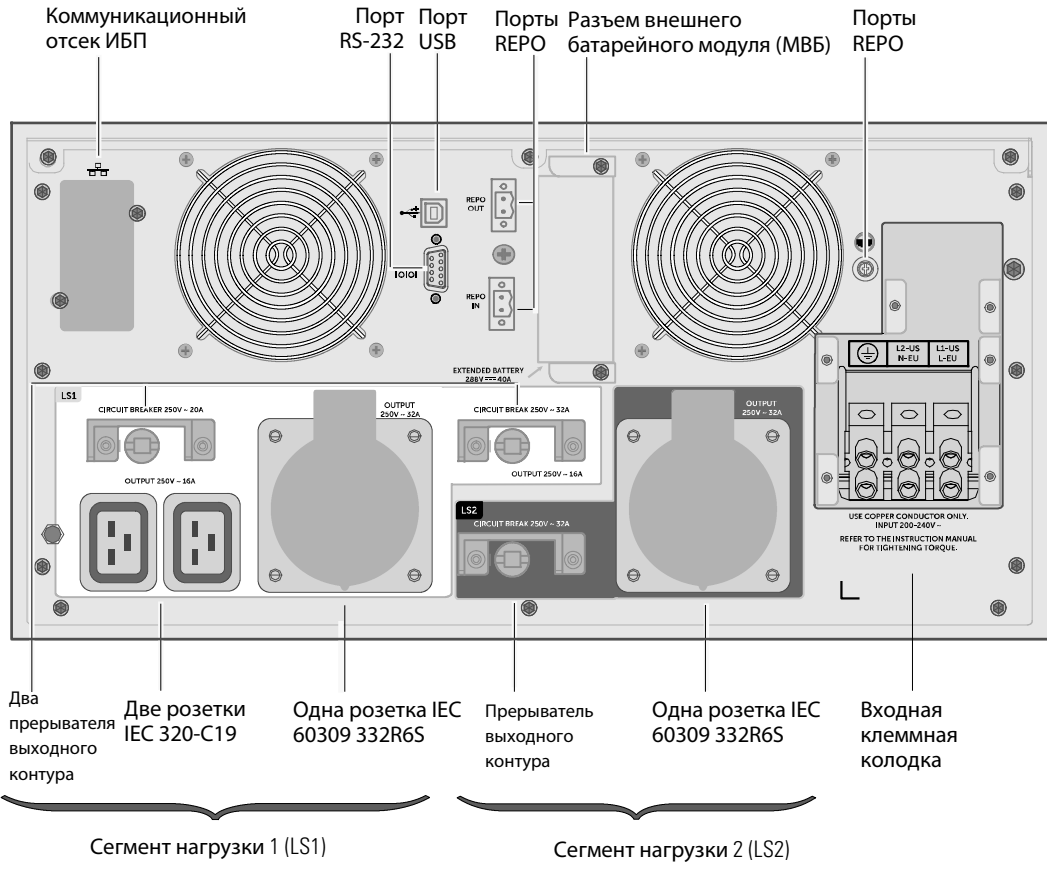
Идентификация задней панели ИБП

В этом разделе показаны задние панели трех возможных моделей ИБП Dell Rack 10 kW.

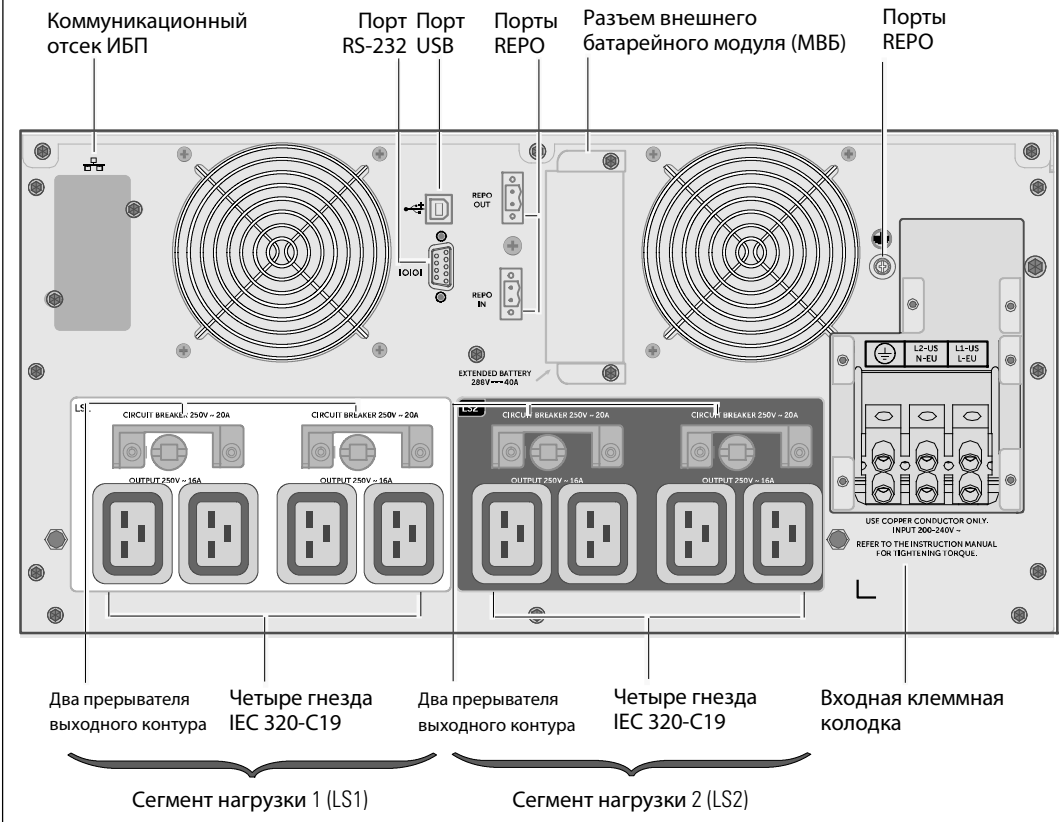
10 кВт 208В ИБП (DELL10KWOLHVUS)



10 кВт 230В ИБП (DELL10KW0LHV)



10 кВт 230В ИБП (DELL10KW0LHVБ)








Dell™ UPS de rack en línea 10 kW

Cómo empezar con su sistema

DELL10KWOLHVUS, DELL10KWOLHV, DELL10KWOLHVB
DELL10KWEBM



Notas y Advertencias

-  **NOTA:** NOTA indica información importante que lo ayudará a utilizar mejor el software.
-  **PELIGRO:** Un PELIGRO indica una situación inminentemente peligrosa que, si no se evita, dará como resultado la muerte o una lesión grave.
-  **ADVERTENCIA:** ADVERTENCIA indica una situación posiblemente peligrosa que, si no se evita, puede tener como consecuencia la muerte o una lesión grave.
-  **PRECAUCIÓN:** PRECAUCIÓN indica una situación potencialmente riesgosa que, si no se evita, puede provocar una lesión moderada o leve, o incidentes de daño a la propiedad.
-  **PELIGRO:** Siga las siguientes instrucciones para prevenir situaciones inminentemente peligrosas que, si no se evitan, pueden producir la muerte o lesiones graves:
- El UPS puede generar **VOLTAJES LETALES**. Toda reparación y servicio deberá ser realizado **EXCLUSIVAMENTE POR PERSONAL DE SERVICIO AUTORIZADO. NO HAY PIEZAS REPARABLES POR EL USUARIO** dentro del UPS o del EBM.

La información contenida en este documento está sujeta a cambiar sin previo aviso.

© 2012 Dell Inc. Todos los derechos reservados.

Queda estrictamente prohibida la reproducción, en cualquier tipo de soporte, sin el consentimiento previo por escrito de Dell Inc.

Marcas comerciales utilizadas en este texto: *Dell* y el logotipo de *DELL* son marcas comerciales de Dell Inc.

El nombre ENERGY STAR es una marca comercial registrada propiedad de la Agencia de Protección Ambiental de los Estados Unidos.

Es posible que en este documento se utilicen otras marcas y nombres comerciales para hacer referencia a las entidades que reivindican dichas marcas y nombres o a sus productos. Dell Inc. niega cualquier interés en el derecho de propiedad de las marcas y nombres comerciales, a excepción del propio.

Diciembre de 2012

Características del sistema

Dado que brindan rendimiento y confiabilidad sobresalientes, los beneficios exclusivos del UPS incluyen:

- Diseño de UPS en línea con salida de onda senoidal pura.
- Tecnología de doble conversión real en línea con densidad de alta energía, independencia de frecuencia de servicio y compatibilidad del generador.
- Regulación del aumento y la reducción de voltaje que garantiza un voltaje constante para la carga, al corregir fluctuaciones.
- El UPS filtra y regula el voltaje de CA entrante y suministra energía uniforme al equipo sin agotar la batería.
- Modo de operación de Alta Eficiencia seleccionable.
- Altura del UPS 5U.
- Función de encendido en batería para alimentar el UPS aun cuando no haya suministro eléctrico disponible.
- El mantenimiento se simplifica al permitir un reemplazo seguro de las baterías sin apagar el UPS.
- La información de etiqueta de servicio de Dell puede leerse desde la pantalla LCD del panel delantero.
- Tiempo de ejecución extendido con un Extended Battery Module (EBM) opcional.
- Control de apagado de emergencia a través de los puertos de apagado remoto de emergencia (REPO).
- Dos puertos de comunicación estándar (USB y puerto serie RS-232).
- Dell Network Management Card opcional (también conocida como NMC) con capacidades de comunicación mejoradas para aumentar la protección y el control de la energía.
- Environmental Monitoring Probe (EMP) opcional para recabar lecturas de temperatura y humedad en el ambiente del bastidor y monitoreo de información ambiental a distancia. Además, puede recabar y recuperar el estado de dos dispositivos con contacto provistos por el usuario.
- Administración de energía avanzada con las aplicaciones de software Dell™ Multi-UPS Management Console (MUMC) and Dell™ UPS Local Node Manager (ULNM) basadas en la red para apagados apropiados y monitoreo de energía.
- Apagado secuencial y gestión de carga mediante grupos de receptáculos separados denominados segmentos de carga.
- Firmware que se actualiza fácilmente sin necesidad de llamar al servicio técnico.
- Respaldado por las aprobaciones de agencias de todo el mundo.
- UPS certificados ENERGY STAR®.



Búsqueda de información

 **PRECAUCIÓN:** El documento *Información ambiental, normativa y de seguridad* brinda información de seguridad y regulatoria importante.

¿Qué está buscando?

- La guía del usuario para mi UPS
- La guía del usuario para la Dell Network Management Card
- Dell MUMC and Dell ULNM Guías del usuario

Encuéntrelo aquí

Disco del UPS de Dell



NOTA: Puede encontrar documentación y actualizaciones de software en www.support.dell.com y en www.dellups.com.

-
- Especificaciones
 - Cómo configurar los valores del UPS
 - Cómo localizar averías y resolver los problemas
 - Cómo instalar el control REPO

Guía del usuario del UPS de Dell

La guía del usuario está disponible en el disco Dell UPS y en www.support.dell.com.

-
- Instrucciones de seguridad
 - Información reglamentaria
 - Información sobre reciclaje

Información ambiental, normativa y de seguridad

-
- Información sobre garantía
 - Términos y condiciones (solo EE.UU.)
 - Acuerdo de licencia del usuario final

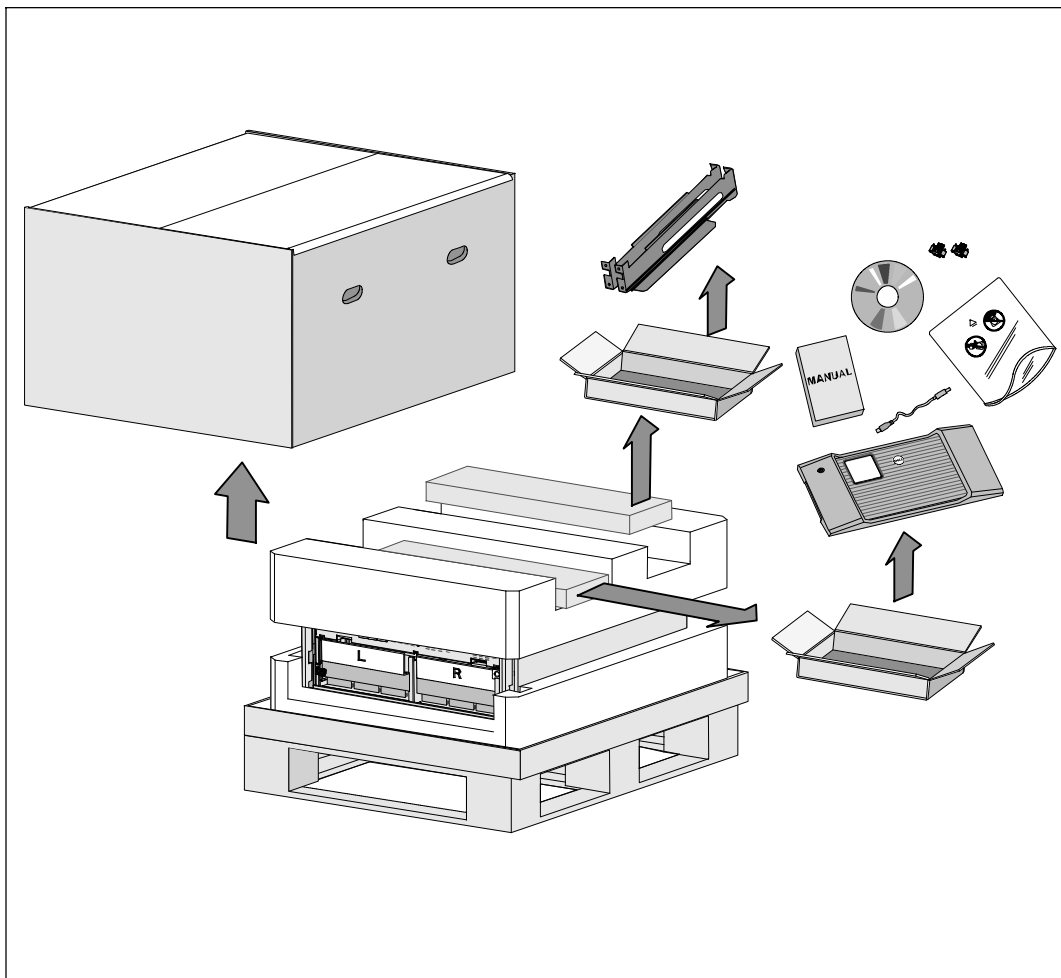
Información sobre soporte y garantía de Dell




-
- Información sobre soporte

Sitio web de soporte de Dell – www.support.dell.com

NOTA: Seleccione su región y ramo de la industria para consultar el sitio de soporte apropiado.

Instalación y arranque



-  **PRECAUCIÓN:** Antes de realizar los procedimientos en este documento, lea y observe las instrucciones de seguridad e información regulatoria importante en su documento *Información ambiental, normativa y de seguridad*.
-  **PRECAUCIÓN:** Desempacar el gabinete en un ambiente con baja temperatura puede ocasionar la condensación dentro del gabinete o sobre éste. No instale el gabinete hasta que el interior y el exterior del mismo estén completamente secos (existe riesgo de descarga eléctrica).
-  **PRECAUCIÓN:** La instalación o remoción de las bandejas de baterías deberá ser realizada o supervisada por personal capacitado en el manejo de baterías y las precauciones requeridas para lo mismo. Mantenga las baterías fuera del alcance del personal no autorizado.

⚠ PRECAUCIÓN: El gabinete es pesado (99 kg/218 lb). Retire siempre ambas bandejas de baterías del UPS antes de elevar el gabinete. Levantar la cabina al bastidor requiere de un mínimo de dos personas.

⚠ PRECAUCIÓN: Las baterías son pesadas (32 kg/71 lb). Utilice las técnicas de levantamiento apropiadas cuando retire las baterías.

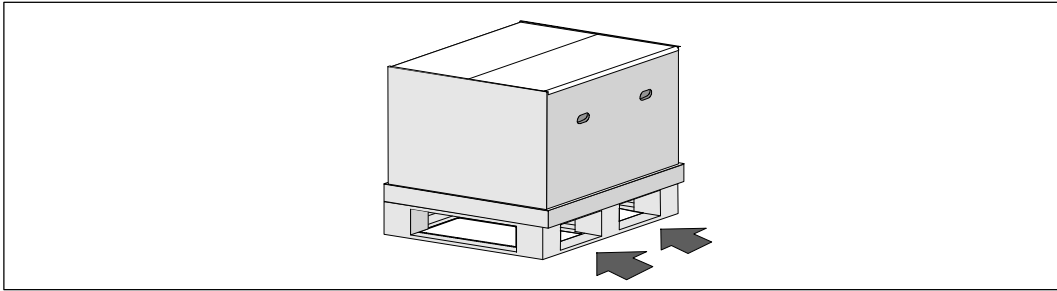
✍ NOTA: Tenga mucho cuidado al trasladar y abrir la caja de cartón. Deje los componentes embalados hasta que esté listo para instalarlos.

En la presente sección, se describen los pasos para configurar el sistema por primera vez.

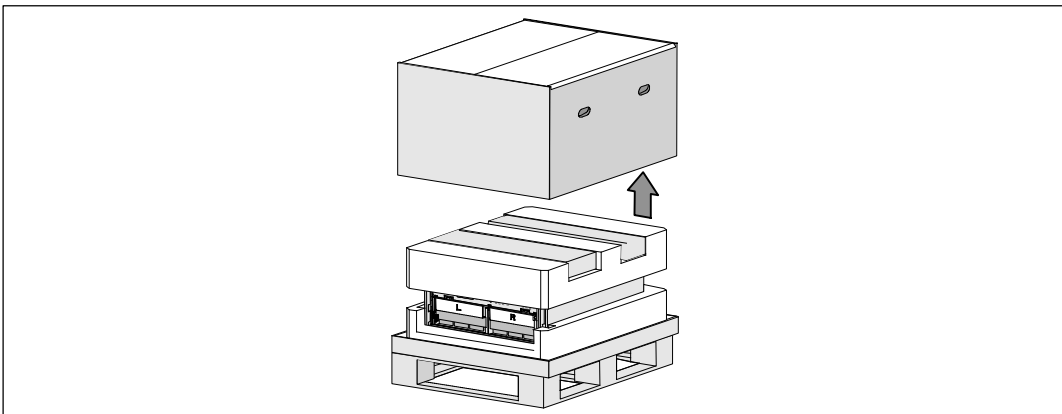
Cómo desempacar el gabinete

Para desempacar el sistema:

- 1** Con un montacargas o un gato para tarimas, mueva la caja de envío y la tarima cerca del bastidor donde instalará el UPS.




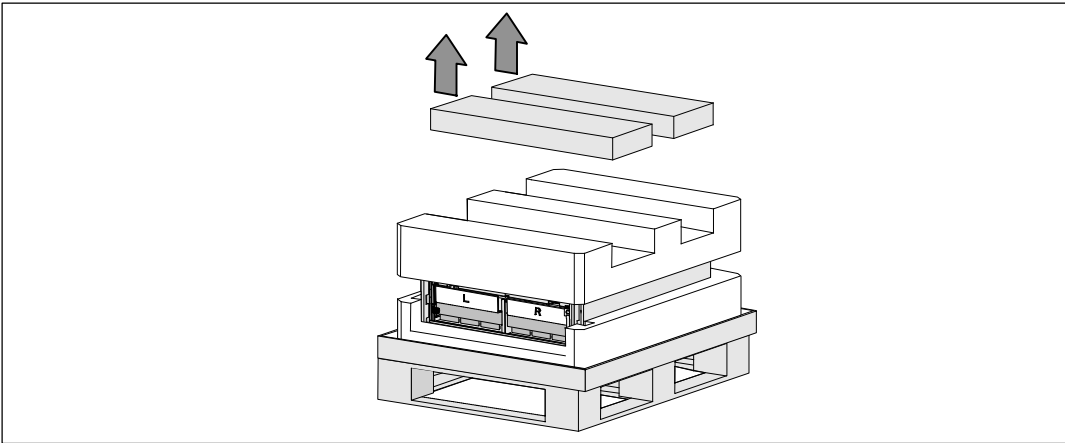
- 2** Desprenda y quite la caja exterior.



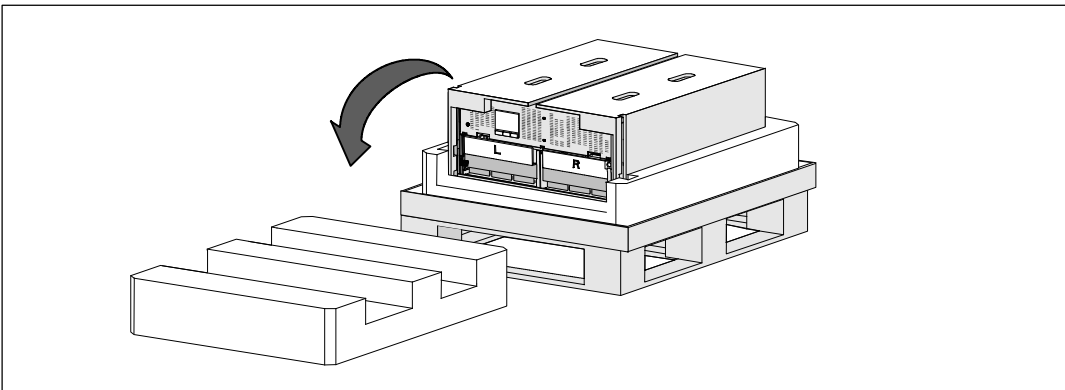
3 Retire las dos cajas con accesorios que se encuentran dentro de los canales en la sección superior de Styrofoam.

4 Abra las cajas de accesorios y colóquelas cerca en una superficie plana y estable.

 **NOTA:** La *Guía del usuario de UPS 10 kW de rack en línea Dell* proporciona procedimientos de desembalaje e instalación. Para consultarla, retírela de la caja de accesorios antes de desechar las cajas.



5 Retire la sección superior de Styrofoam y colóquela cerca en una superficie plana y estable.





NOTA: Las escuadras de soporte de la batería están etiquetadas con **L** (izquierda) y **R** (derecha) para indicar dónde deben instalarse.

6

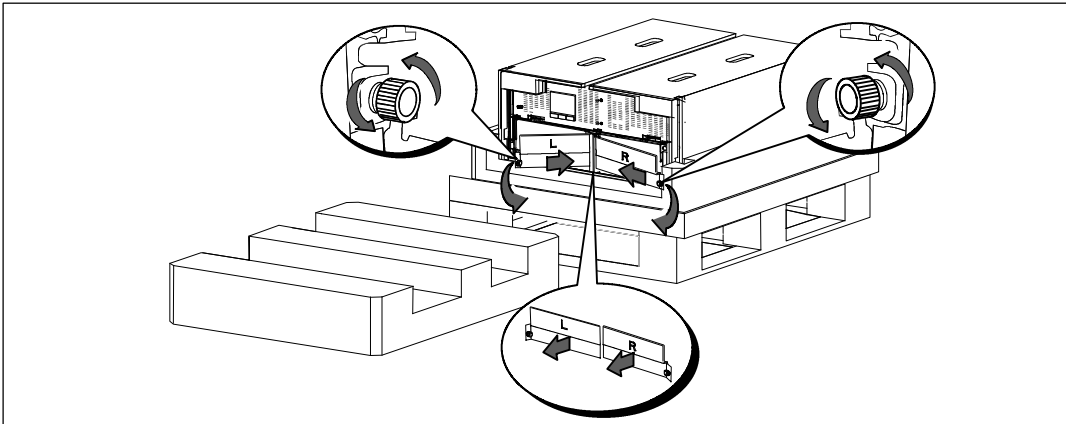
Retire ambas escuadras de soporte del UPS:

Localice las escuadras de soporte del lado izquierdo (marcado con una **L**). Del lado izquierdo del chasis, gire el tornillo de mariposa hacia la izquierda para liberar la escuadra de soporte izquierda.

Empuje la escuadra hacia el poste central para desengancharla del chasis. Debe balancear la escuadra hacia usted y jalar la escuadra hacia la izquierda para retirarla. Ponga la escuadra a un lado.

Localice la escuadra de soporte del lado derecho (marcada con una **R**). Del lado derecho del chasis, gire el tornillo de mariposa hacia la izquierda para liberar la escuadra de soporte derecha.

Empuje la escuadra hacia el poste central para desengancharla del chasis. Debe balancear la escuadra hacia usted y jale la escuadra hacia la derecha para retirarla. Ponga la escuadra a un lado.



7

Asegúrese que todos los conectores de la batería estén desconectados.



PRECAUCIÓN: Las baterías son pesadas (32 kg/71 lb). Utilice las técnicas de levantamiento apropiadas cuando retire las baterías.



Retire las bandejas de baterías del UPS:

Retire los conectores desconectados de la batería UPS que se encuentran en la parte superior del compartimiento de la batería.

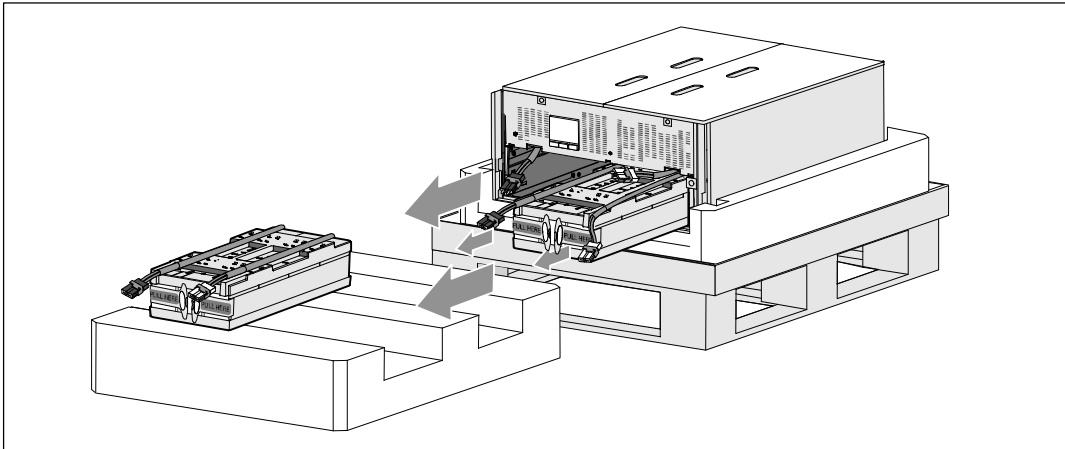
Sujete las dos lengüetas de aro de plástico al frente de la bandeja para baterías. Jale la bandeja hacia usted para retirarla.



NOTA: Las etiquetas naranjas de **JALE AQUÍ** indican dónde agarrar las lengüetas del aro.

Coloque la bandeja para baterías sobre la sección de Styrofoam que retiró de la parte superior del UPS.

Repita el proceso con la segunda bandeja para baterías.

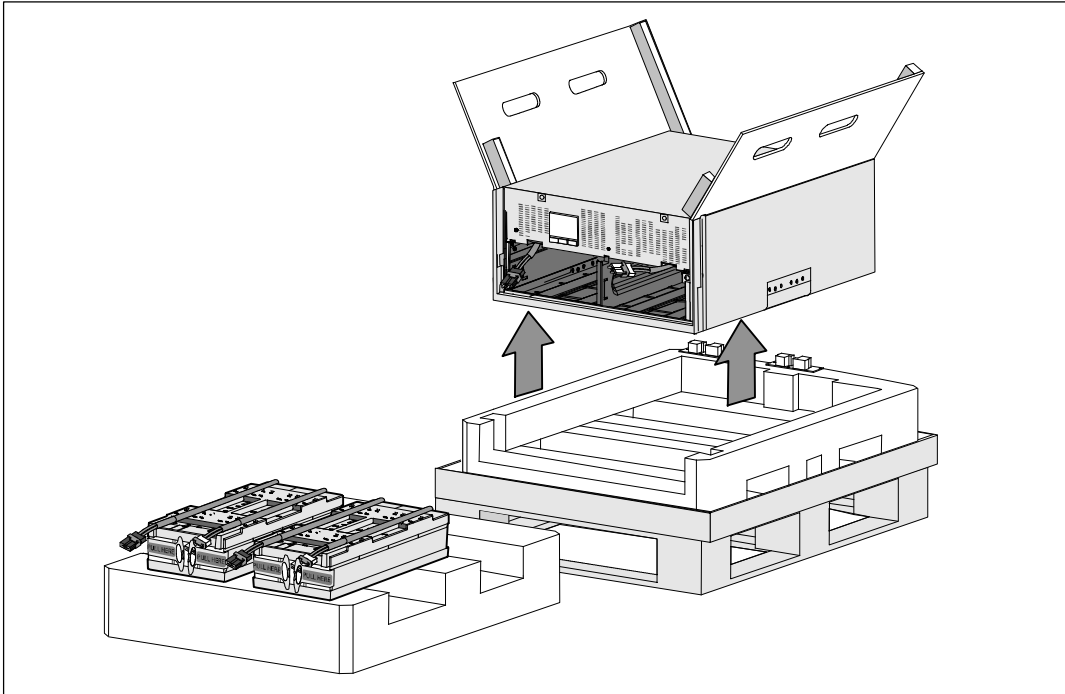




PRECAUCIÓN: El gabinete es pesado (46 kg/ 101 lb) sin baterías. Para levantar el gabinete desde la caja de embarque se requiere un mínimo de dos personas.

9

Con una persona de cada lado, levante con cuidado el gabinete fuera del Styrofoam utilizando las agarraderas en el cartón.



10

Coloque el gabinete sobre una superficie plana y estable en un área protegida cerca del bastidor donde lo instalará.



NOTA: Asegúrese que el área tiene flujo de aire adecuado y que esté libre de humedad, gases inflamables y corrosión.

Configuración del montaje en bastidor



PRECAUCIÓN: El gabinete es pesado (99 kg/218 lb). Retire siempre ambas bandejas de baterías del UPS antes de elevar el gabinete e instalar el UPS en los rieles del bastidor. Para levantar los gabinetes y colocarlos en el bastidor se necesitan al menos dos personas.



PRECAUCIÓN: La instalación o remoción de las baterías deberá ser realizada o supervisada por personal capacitado en el manejo de baterías y en las precauciones requeridas para lo mismo. Mantenga las baterías fuera del alcance del personal no autorizado.



PRECAUCIÓN: Las baterías son pesadas (32 kg/71 lb). Utilice las técnicas de levantamiento apropiadas cuando retire las baterías.



PRECAUCIÓN: Si instala un EBM opcional, el EBM se debe colocar debajo del UPS sin espacio en U entre el UPS y el EBM. Esto ofrece una mejor distribución de peso en el bastidor, un acceso más fácil al panel de control del UPS y a dirigir más fácilmente las conexiones de cables de las baterías. Esto también evita tensión entre el cable del EBM y la conexión del UPS y una posible falla de conexión.



ADVERTENCIA: Para sistemas montados en bastidor: Cuando instale múltiples sistemas en un bastidor, realice todos los procedimientos para el sistema actual antes de intentar instalar el siguiente sistema.



NOTA: Cada gabinete requiere rieles de montaje.



NOTA: El gabinete se envía sin el bisel de la cubierta delantera incorporado.



NOTA: Las siguientes instrucciones son las mismas que para los bastidores de orificios cuadrados y los bastidores de orificios redondos y sin rosca. Los rieles sirven para ambos estilos de bastidores.

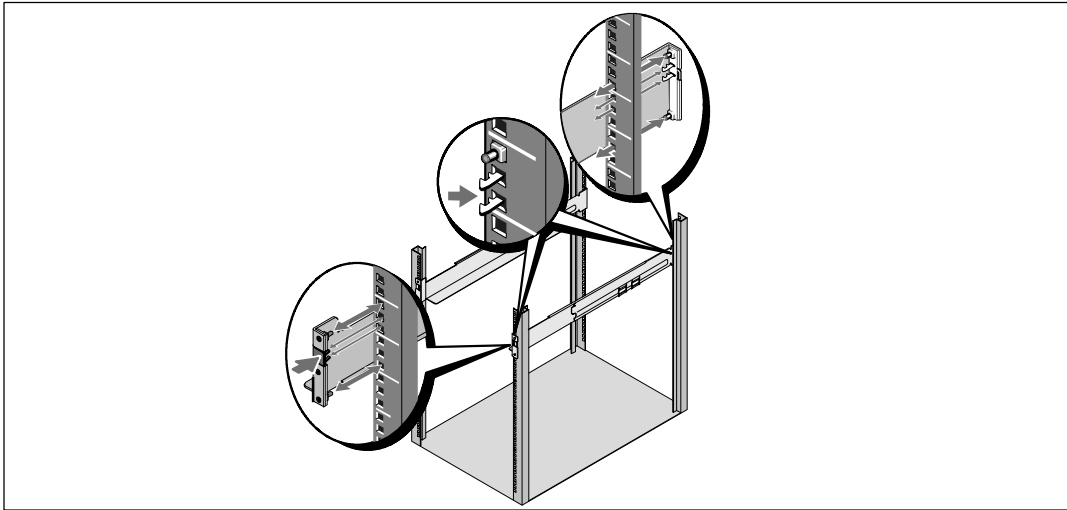
Para instalar el UPS en un bastidor:



Asegúrese que los siguientes elementos sean colocados sobre una superficie plana y estable cerca del bastidor donde instalará el UPS:

- gabinete
- dos cajas de accesorios del UPS
- dos bandejas de baterías (solo de UPS)
- dos escuadras de soporte de baterías (solo de UPS)

Instalación de los rieles



- 2 Retire los rieles de la caja de accesorios de juego de rieles.
- 3 Seleccione los orificios adecuados en el riel para colocar el gabinete en la ubicación deseada en el bastidor.

Localice los rieles en la parte inferior del espacio 5U asignado para el UPS.



PRECAUCIÓN: Si instala un EBM opcional, asegúrese de instalar el EBM directamente debajo del UPS sin espacio en U entre el UPS y el EBM.



NOTA: Observe las etiquetas en los rieles para frente derecho (etiquetado con **RIGHT FRONT**) y frente izquierdo (etiquetado con **LEFT FRONT**). Esta es la forma en que se deben colocar los rieles para la instalación.

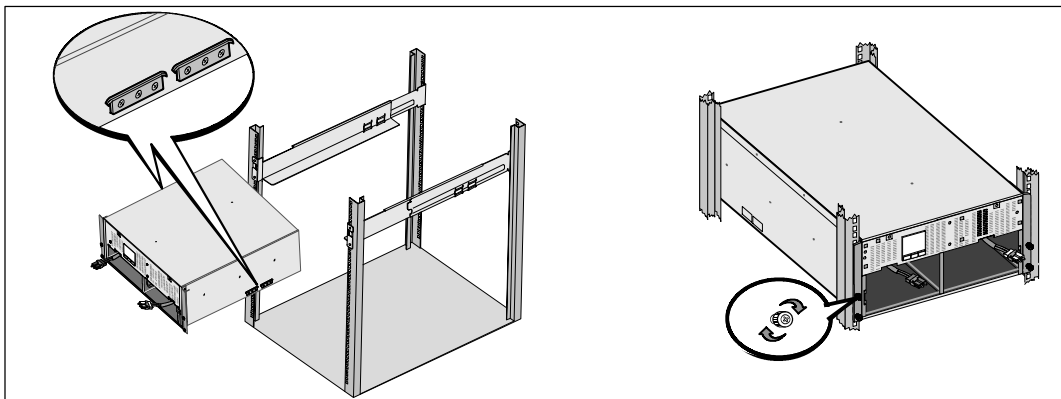
- 4 Coloque los rieles izquierdo y derecho como se muestra. Fije los rieles izquierdo y derecho al bastidor:

Acople el extremo posterior del riel hasta que se asiente completamente sobre la brida del bastidor vertical y el pestillo del gancho se cierre en el lugar.

Tire del riel pasando el frente del bastidor.

Empuje el extremo delantero del riel hasta que se asiente completamente sobre la brida del bastidor vertical y el pestillo del gancho se cierre en el lugar.

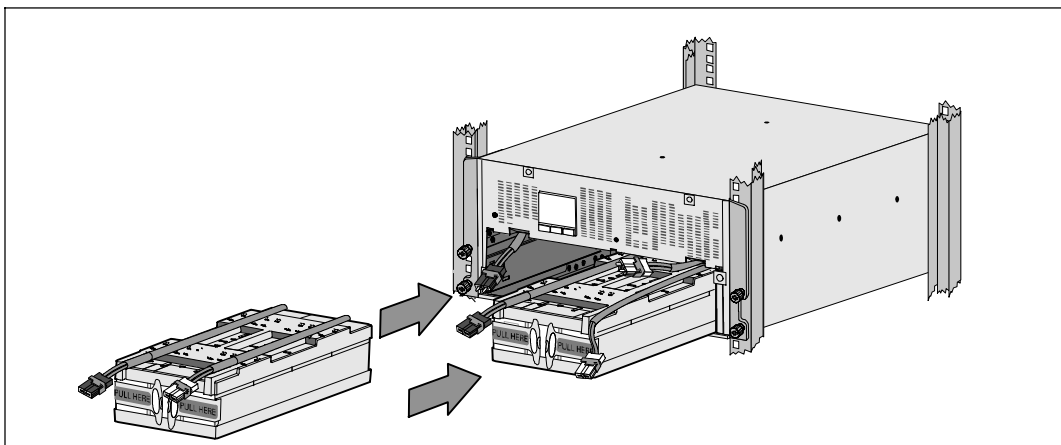
Cómo instalar y asegurar el gabinete



! **PRECAUCIÓN:** El gabinete es pesado (46 kg/ 101 lb) sin baterías. Levantar la cabina al bastidor requiere de un mínimo de dos personas.

- 5** Deslice el gabinete sobre los rieles y en el bastidor.
- 6** Asegure el frente del gabinete al bastidor con los cuatro tornillos de mariposa de las escuadras de montaje. Apriete los tornillos en el sentido de las manecillas del reloj; no utilice herramientas eléctricas.

Instalación de las bandejas de las baterías



7 Localice las bandejas de baterías que colocó cerca del bastidor.

⚠ PRECAUCIÓN: Las baterías son pesadas (32 kg/71 lb). Utilice las técnicas de levantamiento apropiadas cuando instale las baterías.

✍ NOTA: Las bandejas para baterías pueden ser instaladas en cualquiera de los compartimientos para baterías.

✍ NOTA: Inserte la bandeja con la flecha de etiqueta de precaución apuntando hacia arriba.

8 Instale las bandejas de baterías:

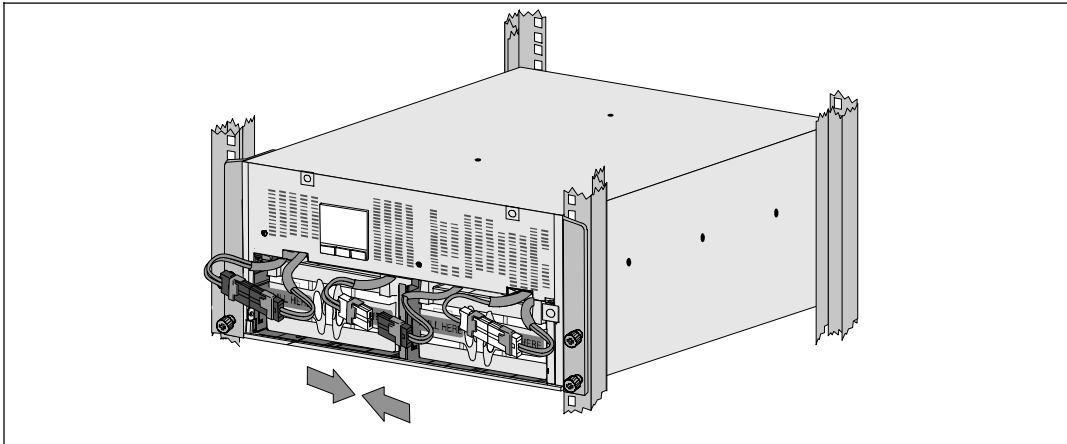
Retire los conectores de la batería UPS que se encuentran en la parte superior del compartimiento de la batería.

Deslice la bandeja de baterías en el compartimiento de baterías completamente.

Repita el proceso para instalar la segunda bandeja para baterías.

9 Meta las lengüetas de aro en la funda de plástico en la parte delantera de cada bandeja para baterías para quitarlas de en medio.

Conexión de los conectores internos de la batería



10 Conecte los conectores internos de la batería:

Conecte el conector de la bandeja de baterías izquierdo más alejado al conector fijo del UPS. Conecte el conector de la bandeja de baterías derecho más alejado al conector fijo del UPS.

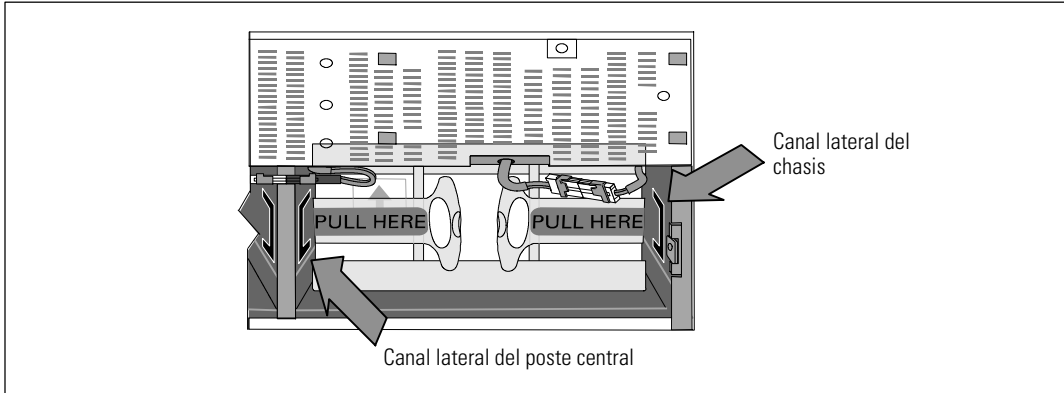
✍ NOTA: Al conectar las baterías, es posible que se forme un arco pequeño. Esto es normal y no daña la unidad ni representa ninguna preocupación en cuanto a la seguridad.

Localice y conecte los puentes de baterías que se ubican en los lados del poste central. Coloque los conectores en el anaqueł pequeño en la parte superior del poste central.



NOTA: Al conectar los puentes de la batería central se conectan en serie las dos bandejas para baterías.

Cómo reemplazar las escuadras de soporte de las baterías



NOTA: Las escuadras de soporte de la batería están etiquetadas con **L** (izquierda) y **R** (derecha) para indicar dónde deben instalarse.



Reemplace las escuadras de soporte de la batería izquierda (**L**) y derecha (**R**):

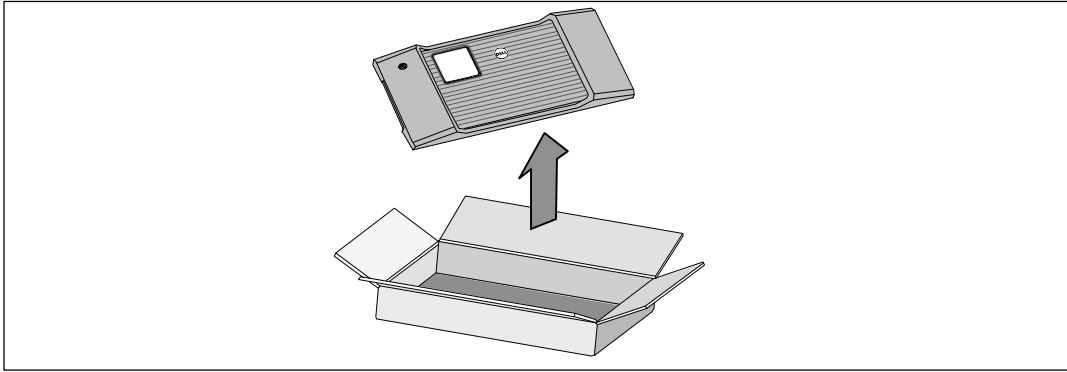
Para la primera escuadra de soporte de la batería, inserte la lengüeta de la escuadra en el canal del lado del poste central. Acomode con cuidado los cables de la batería detrás de la escuadra de soporte.

Alinee el extremo de la escuadra de soporte de la batería con el canal lateral del chasis. Empuje la escuadra hasta que quede asentada firmemente en el canal lateral.


Gire la perilla en el sentido de las manecillas del reloj para asegurar la escuadra.

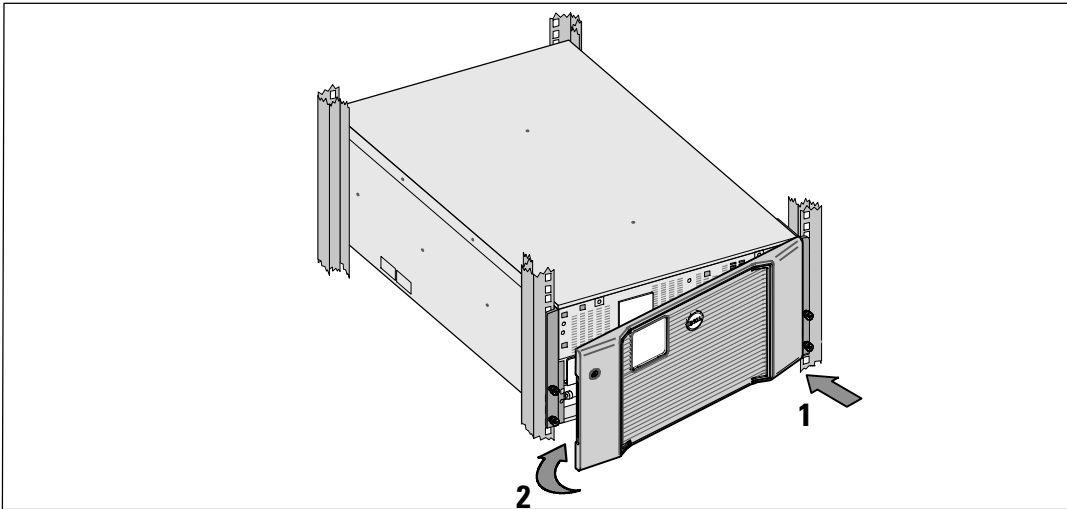
Repita el procedimiento para volver a colocar la segunda escuadra de soporte de la batería.

Instalación de la cubierta delantera del UPS



- 12** Retire la cubierta delantera de la caja de accesorios.

 **NOTA:** Conserve el CD del software, el cable de comunicación y (si es necesario) los conectores REPO en la caja de accesorios hasta que instale el UPS.




- 13** Instale la cubierta delantera del UPS:

Alinee la cubierta delantera con el frente del chasis.

Inserte las lengüetas del lado derecho en la cubierta delantera dentro de las aberturas para lengüetas del chasis del lado derecho.

Empuje el lado izquierdo de la cubierta hacia delante y presiónela hasta que encaje en el chasis.

 **NOTA:** Asegúrese de que el panel de la LCD del chasis del UPS se alinee con la ventana LCD de la cubierta delantera antes de asegurar la cubierta al chasis.


14 Deseche o recicle el embalaje de manera responsable o guárdelo para referencia futura.

Conexión del equipo

Para instalar el UPS:

1 Si planea usar el software Dell MUMC and Dell ULNM, establezca comunicación de una de las siguientes maneras:

- mediante el uso de la Dell Network Management Card (si está instalada)
- mediante el uso del cable suministrado para conectar su computadora al puerto USB.

 **NOTA:** Para obtener más información sobre las opciones de comunicación, consulte la *Guía del usuario de UPS 10 kW de rack en línea Dell*.

2 Si el bastidor tiene conductores para la conexión a tierra o puenteo de las piezas de metal, conecte el cable a tierra (no suministrado) al tornillo de puenteo. Consulte "Paneles posteriores del UPS" en la página 132 para ubicar el tornillo de fijación a tierra de cada uno de los tres modelos.


3 Si los códigos locales solicitan un apagado (desconexión) de emergencia, consulte "Instalación de apagado de emergencia remoto" en la *Guía del usuario de UPS 10 kW de rack en línea Dell*.

4 Si está instalando un EBM opcional, consulte las instrucciones de instalación en la Guía de inicio de EBM 10 kW de rack en línea Dell.

 **PRECAUCIÓN:** Si el UPS se almacena o usa sin un EBM, la cubierta del conector de batería en el panel posterior del UPS debe estar instalada como medida de precaución.

5 Enchufe el equipo para que esté protegido en los receptáculos exteriores del UPS pero no encienda el equipo protegido.

6 Realice todas las provisiones necesarias para retener los cables y colocar los tubos pasacables.

 **NOTA:** Verifique que los regímenes totales del equipo no excedan la capacidad del UPS para prevenir una alarma de sobrecarga.

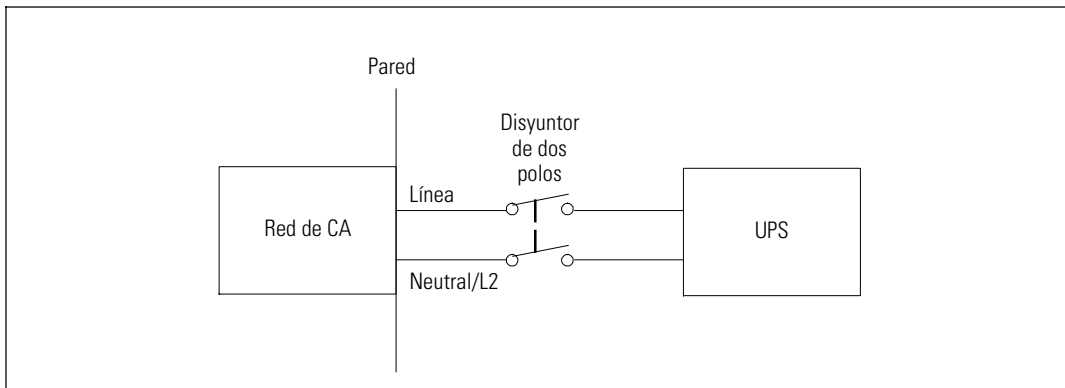
Cableado de entrada al UPS



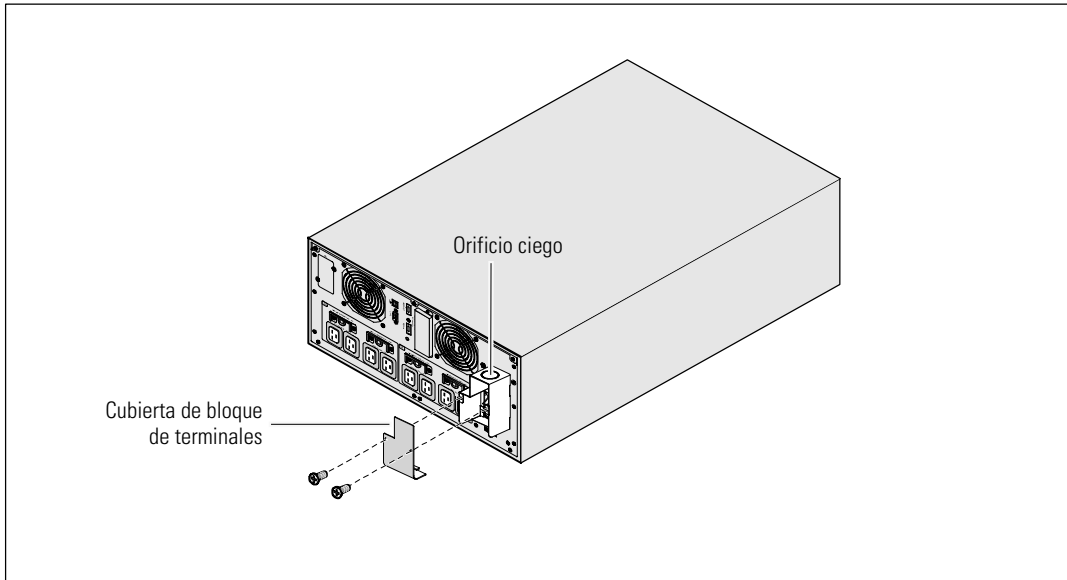
ADVERTENCIA: Riesgo de descargas eléctricas. Solo el personal en servicios de reparación calificado (tales como electricistas con licencia) podrán realizar la conexión eléctrica.

Los modelos Dell Rack en línea cableados requieren un circuito derivado dedicado que cumpla con los siguientes requerimientos:

- El dispositivo de protección necesita un dispositivo de desconexión de dos polos entre la entrada del UPS y las redes eléctricas
- El disyuntor se debe montar en la pared y debe estar accesible para el operador
- **Para Europa.** El disyuntor debe cumplir con la norma IEC/EN 60934 y con el espacio de aire de contacto de al menos 3 mm
- 200-240 Vca
- Monofásico
- 50/60 Hz
- Conductor de metal flexible (recomendado para facilitar el servicio y el mantenimiento)



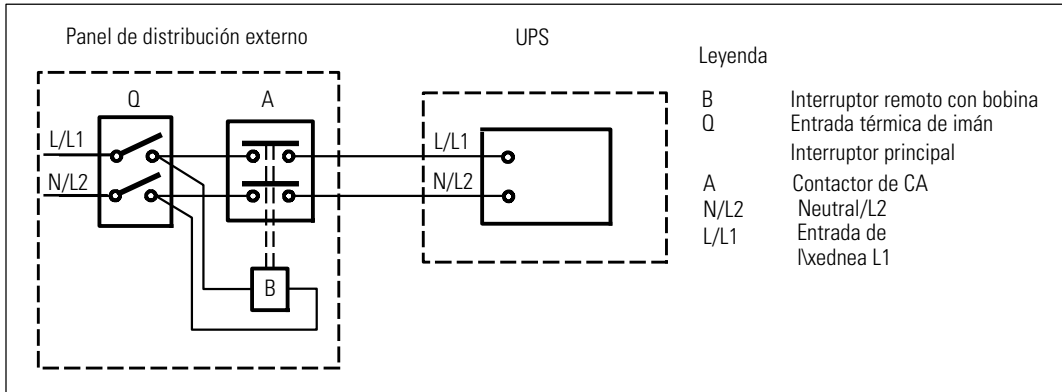
Extracción de la cubierta del bloque de terminales



- 1** Apague el suministro eléctrico en el punto de distribución donde estará conectado el UPS. Asegúrese bien de que no haya corriente.
- 2** Retire la cubierta del bloque de terminales (dos tornillos) y consérvela.
- 3** Abra los orificios ciegos de la cubierta del bloque de terminales para el conducto de entrada. En el orificio debe caber un conducto metálico intermedio (IMC) de 1" o 1.5" (25.4 mm o 38.1 mm).



PRECAUCIÓN: Si el UPS no tiene un dispositivo de protección automática contra retroalimentación de corriente, instale un dispositivo de aislamiento externo. Una vez que se instale el dispositivo, debe agregar una etiqueta de advertencia con el siguiente texto o el equivalente en el contactor AC externo.
RIESGO DE RETROALIMENTACIÓN DE VOLTAJE. Aísle el UPS antes de poner en funcionamiento este circuito, luego revise el voltaje peligroso entre todas las terminales.



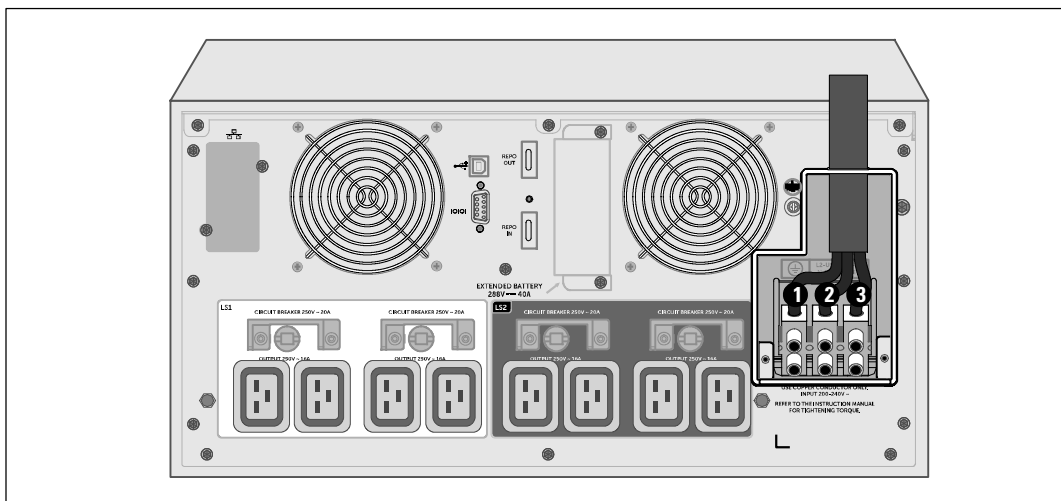
La siguiente tabla enumera los dispositivos de protección de retroalimentación (conectores de AC) que se pueden utilizar como dispositivo de aislamiento externo para la protección de retroalimentación. Utilice solo los contactores de CA enumerados en la tabla.

Fabricante	Tipo	Especificación
ABB France (E12527)	A75-30	220–240 Vca, 105 A 25 HP a 208 V, 30 HP a 240 V
Tianshui 213 Electrical Apparatus Co., Ltd. (E203071) (alternativo)	GSC1(CJX4-d)-6511	220–240 Vca, 68A 25 HP
Tianshui 213 Electrical Apparatus Co., Ltd. (E203071) (alternativo)	GSC1(CJX4-d)-8011	220–240 Vca, 80A 30 HP



NOTA: Aunque el UPS no contiene relevadores de protección contra retroalimentación (ABF), se ofrece cierta medida de protección contra la misma. Por ejemplo, si algunos componentes resultan dañados en el modo de batería, el voltaje de salida puede ser retroalimentado a la entrada. En este caso, se usa un transformador de corriente (CT) para detectar el voltaje de retroalimentación de corriente de derivación. Si se detecta una condición de fallo de retroalimentación de corriente, el UPS terminará la salida del inversor para evitar lesiones personales.

Instalación de los cables a tierra y de salida



- 4 Tire del cable de entrada a través del conducto, dejando unos 2 pies (0.5m) de cable expuesto. Sujete una conexión de metal flexible al extremo del conducto.
- 5 Introduzca el conducto a través del cableado de entrada de acceso y conecte el conducto adecuado para el panel. Pele 0.5" (1.5 cm) de aislante del extremo de cada cable de acometida.
- 6 Conecte los cables de entrada y a tierra al bloque de terminales de acuerdo a las Especificaciones de cableado del UPS de la siguiente tabla.

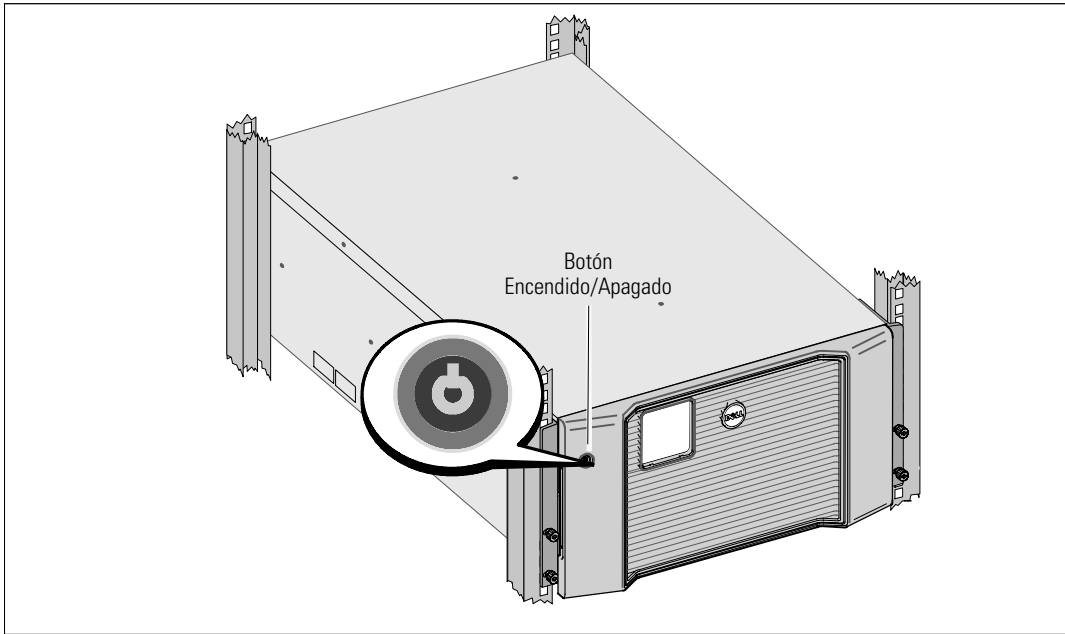
Función del Cableado	Posición del terminal	Función del cable del UPS	Valores del tamaño del cable para terminales *	Torsión de tensión
Entrada	1	Puesta a tierra de entrada	16-35 mm ² (8-2 AWG)	1.7 Nm (15 lb-in)
	2	En L2/Neutral		
	3	L1 pulg		

* Use un mínimo:

- 8 AWG para cable de puesta a tierra de equipo, 75°C mínimo cable de cobre
- 4 AWG para cables de línea de entrada y neutro, 75°C mínimo cable de cobre


- 7 Vuelva a colocar la cubierta del bloque terminal.

Arranque del UPS



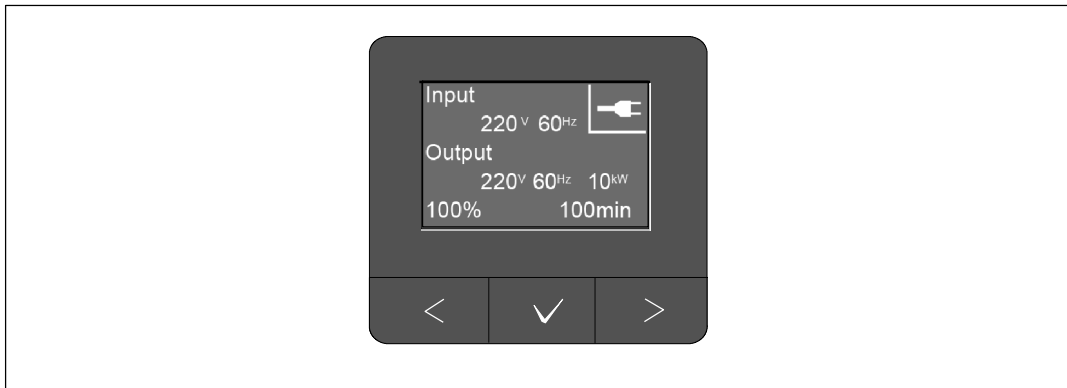
Para iniciar el UPS:

- 1 Verifique que las baterías internas estén conectadas.
- 2 Si un EBM opcional está instalado, verifique que el EBM esté conectado al UPS. Consulte la Guía de inicio de EBM 10 kW de rack en línea Dell para más información.
- 3 Compruebe que todos los interruptores del circuito del segmento de carga se encuentren en la posición de ENCENDIDO.
- 4 Encienda el interruptor principal del suministro eléctrico.

La pantalla del panel LCD del UPS se ilumina. La pantalla de reinicio de Dell cambia a la pantalla de resumen de estado UPS. La pantalla del panel delantero del UPS muestra el icono Standby (espera) parpadeando .


- 5 Presione el botón On/Off (Encendido/Apagado) del panel delantero del UPS.

Después de finalizar el arranque, el estado cambia de acuerdo con el modo operativo del UPS.



- 6 En la pantalla de resumen de estado del UPS, presione el botón > para verificar las alarmas y los avisos activos. Resuelva todas las alarmas activas antes de continuar. Consulte "Resolución de problemas en la *Guía del usuario de UPS 10 kW de rack en línea Dell*.

Si no hay ninguna alarma activa, se muestra el mensaje "No Alarmas Activas".

- 7 Verifique que el icono  normal aparezca en la pantalla de resumen de estado del UPS e indique que el UPS está funcionando normalmente y que cualquier carga está energizada.

- 8 Consulte en la *Guía del usuario de UPS 10 kW de rack en línea Dell* lo siguiente:

- Para procedimientos de configuración si está instalado un módulo de batería extendida opcional (EBM)
- Para establecer la hora y la fecha y para cambiar otros valores predeterminados de fábrica:

- 9 Si instaló un REPO opcional, pruebe la función REPO:

Active el interruptor REPO externo. Verifique el cambio de estado en la pantalla del UPS.

Desactive el interruptor REPO externo y reinicie el UPS.

- 10 Cambie las baterías.



NOTA: Las baterías internas se cargan al 90% de su capacidad en menos de tres horas. Sin embargo, debe cargarlas durante 48 horas después de la instalación o de un almacenamiento prolongado.



PRECAUCIÓN: Conecte una carga a la vez y asegúrese que cada dispositivo protegido arranque por completo antes de que conecte la siguiente carga para evitar una condición de sobrecarga del UPS.



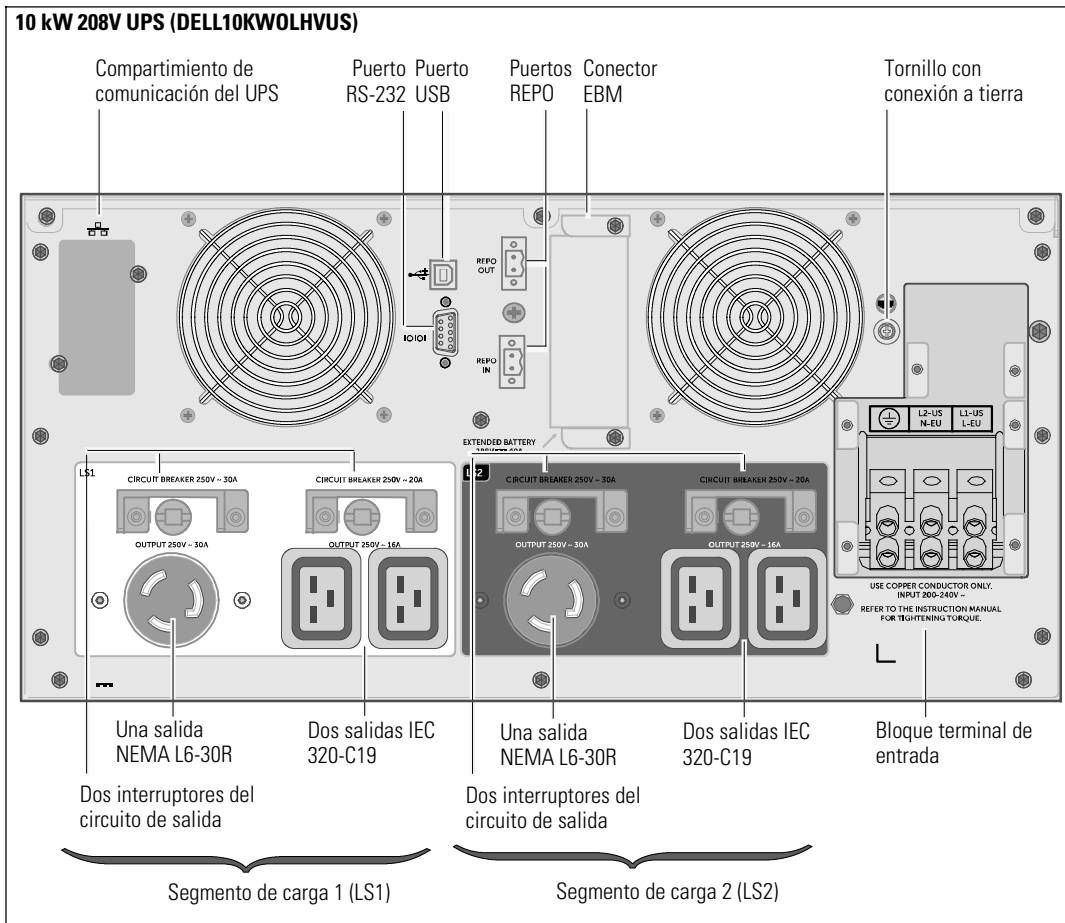
NOTA: Dell recomienda establecer la fecha y la hora para la resolución de problemas o para fines de garantía.

NOTA: En el arranque inicial, el UPS establece la frecuencia del sistema de acuerdo a la frecuencia de la línea de entrada (la detección automática de frecuencia de entrada está habilitada de forma predeterminada) Después del arranque inicial, la detección automática se desactiva hasta que se active manualmente con la configuración de frecuencia de salida.

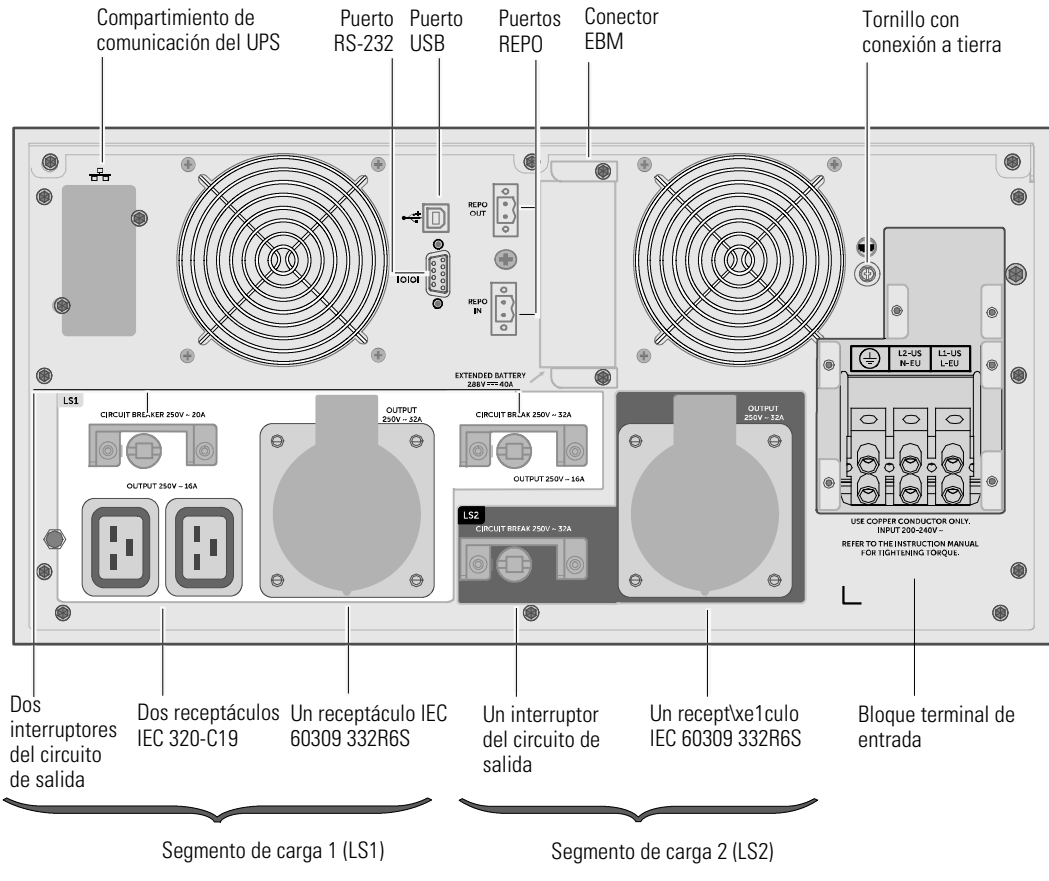
NOTA: En el arranque inicial, la detección automática de voltaje de entrada se habilita de forma predeterminada. Después del arranque posterior, la detección automática se desactiva hasta que se active manualmente con la configuración de voltaje.

Identificación de paneles posteriores del UPS

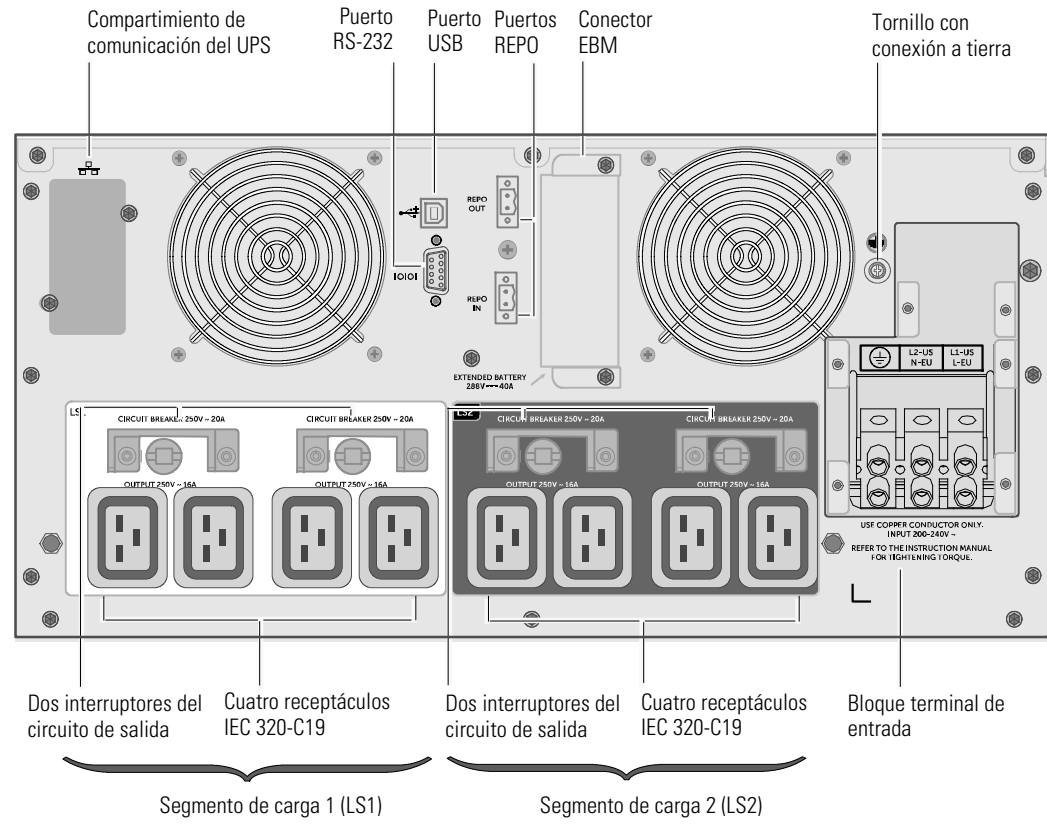
Esta sección ilustra los paneles traseros de las tres opciones de modelo UPS Dell Rack en línea 10 kW.



10 kW 230V UPS (DELL10KWOLHV)



10 kW 230V UPS (DELL10KWOLHVB)




Dell™ 在线机架式 UPS
10 kW


系统使用
入门指南


DELL10KWOLHVUS, DELL10KWOLHV, DELL10KWOLHVB
DELL10KWEBM




注意和警告

 **注意：**“注意”表示可帮助您更好使用本软件的重要信息。

 **危险：**“危险”表示紧急危险情况，如果不加以避免，将导致死亡或严重的伤害。

 **警告：**“警告”表示潜在危险情况，如果不加以避免，可能会导致死亡或伤害。

 **小心：**“小心”表示潜在危险情况，如果不加以避免，可能导致轻度或中度伤害，或财产损失事故。

 **危险：**遵守下列须知有助于防止紧急危险情况发生，该情况若不加以避免，将导致死亡或严重的伤害：

- 本 UPS 中含有 **致命性电压**。所有维修和检修工作都只应由 **授权检修人员实施**。本 UPS 中 **没有用户可自行维修的部件** 或 EBM。

本文件所含信息如有更改，恕不另行通知。

© 2012 Dell Inc. 保留所有权利。

未经 Dell Inc. 书面许可，严禁以任何形式进行复制。

本文中使用的商标：*Dell* 和 *DELL* 徽标是 Dell Inc. 的商标。

能源之星 (ENERGY STAR) 是美国环保署所拥有的注册商标。

本文件中可能会用到其他商标和商品名称指称对这些商标和名称或其产品拥有所有权的企业实体。Dell Inc. 对不属于自己的商标和商品名称所带有的专有利益，不行使任何拥有权。

2012 年 12 月

系统特性

该 UPS 可提供接触的性能与可靠性，包括一下独特的优势：

- 具有纯正弦波输出的在线式 UPS 设计。
- 真正在线双转换技术，提供高功率密度，不受市电频率影响，可兼容各种发电机。
- 降压与升压调节，通过纠正电压波动确保调节后的电压能与您的用电设备相适应。
- UPS 通过滤波和调节输入的交流电，从而为您的设备提供稳定的电力，无需消耗电池的电力。
- 可选择“高效”工作模式。
- 5U UPS 高度。
- 即使没有公用电源，电池启动功能也能给 UPS 供电。
- 不必关闭 UPS 即可安全更换电池，因此维护操作非常简便。
- Dell 服务标牌上的信息可从正面控制面板上的 LCD 显示屏上读取到。
- 通过可选配的Extended Battery Module (EBM) 可延长其工作时间。
- 通过远程电源紧急关闭 (REPO) 端口可实现应急停机控制。
- 带有两个标准通信端口 (USB 和 RS-232 串行端口)。
- 可选配 Dell Network Management Card (也称为 NMC)，这样可增强通信功能，从而可获得更强的电源保护和控制。
- 可选配Environmental Monitoring Probe (EMP)，用来采集框架环境中的温度和湿度读数，并远程监控环境数据。您还可以采集和获取两个由用户提供的接触设备的状态。
- 可使用 Dell™ Multi-UPS Management Console (MUMC) and Dell™ UPS Local Node Manager (ULNM) 基于 Web 的应用软件进行高级电源管理，从而实现平滑关机和电源监控。
- 利用被称作负荷段的各独立的插座组实现顺序关机和负载管理。
- 无需拨打服务部门的电话，即可轻松对固件进行升级。
- 提供全球代理认证支持。
- 能源之星 (ENERGY STAR)[®] 认证的 UPS。

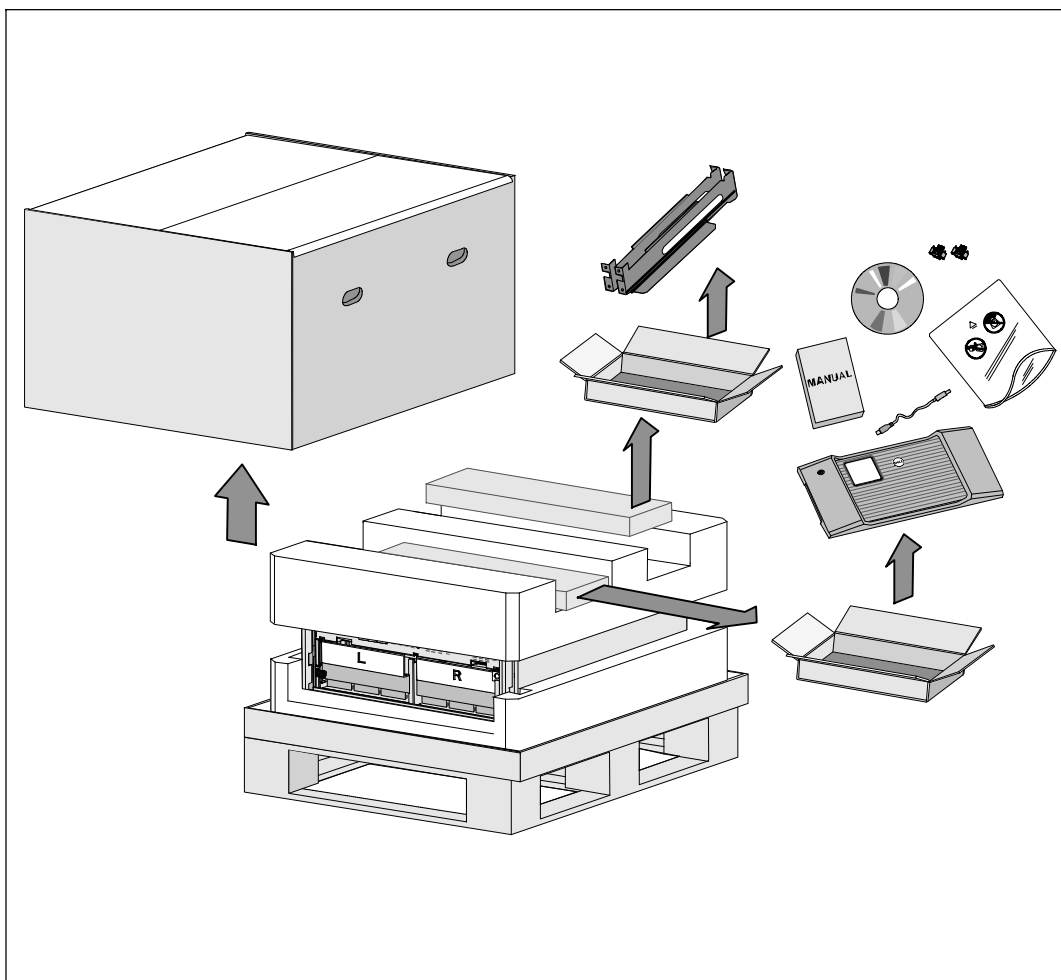






查找信息

 **小心：** 本安全、环境和法规性信息文件提供了重要的安全和法规性信息。

您要查找什么文件？	在此查找
<ul style="list-style-type: none">• UPS 用户指南• Dell Network Management Card 用户指南• Dell MUMC and Dell ULNM 用户指南	<p>Dell UPS 光盘</p>  <p>注意： 相关文档及软件更新，请访问 www.support.dell.com 及 www.dellups.com。</p>
<ul style="list-style-type: none">• 规格• UPS 设置的配置方法• 诊断故障和解决问题的方法• REPO 控制装置的安装方法	<p>Dell UPS 用户指南</p> <p>用户指南可从 Dell UPS 光盘和 www.support.dell.com 上获取到。</p>
<ul style="list-style-type: none">• 安全操作须知• 法规性信息• 回收利用信息	<p>安全性、环保和法规性信息</p>
<ul style="list-style-type: none">• 保修信息• 条款和条件（仅限美国）• 最终用户许可协议	<p>Dell 保修和支持信息</p>
<ul style="list-style-type: none">• 支持信息	<p>Dell 技术支持网站 - www.support.dell.com</p> <p>注意： 选择您所属的地区或行业部门，以查看合适的支持网站。</p>

安装和启动



-  **小心：** 在执行本文件中的步骤之前，请先阅读和遵循 **安全、环境和法规性信息** 文件中的安全操作说明和重要的法规性信息。
-  **小心：** 在低温环境下拆开机箱包装可能导致机箱及其内部发生冷凝现象。请在机箱内外完全干燥后再安装（以防触电危险）。
-  **小心：** 电池座盘的安装或拆除应由熟知电池和所需注意事项的人员实施或指导。未经授权的人员不得接触电池。
-  **小心：** 由于机箱较重（99 kg/218 lb）：抬起机箱前请始终拆除两个电池盘座。将机箱抬起放入机架至少需要两个人。

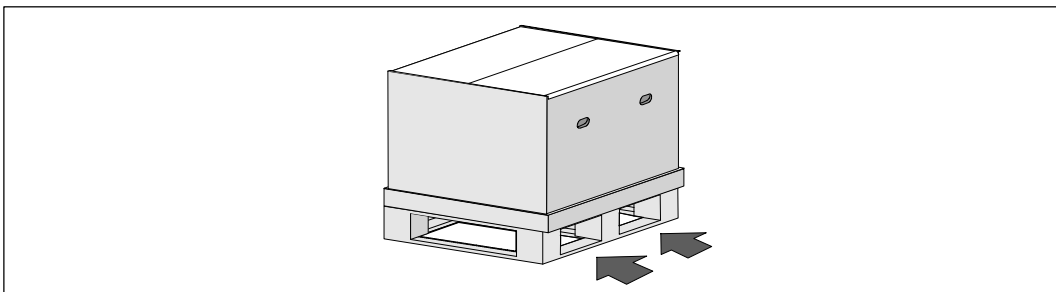
⚠️ 小心： 由于电池较重 (32 kg/71 lb)。 因此建议在拆下电池时使用适当的搬抬技巧。

📄 注意： 搬动和打开运输箱时请小心谨慎。 在各组件可以进行安装之前，保持其处于包装状态。
本节描述首次安装系统的步骤。

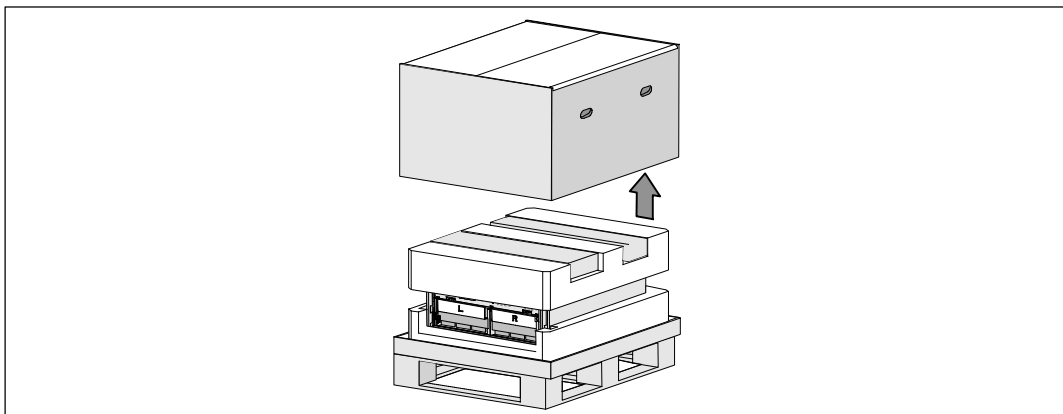
机箱拆包

本系统的包装拆解：

1 使用叉车或液压车将运输箱和托盘移动到您将要安装 UPS 的地方附近。




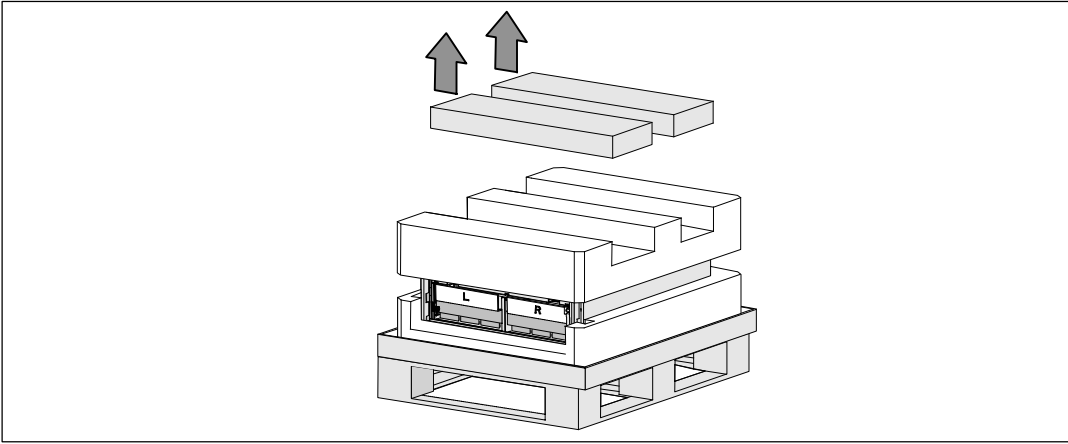
2 拆离并移走外运输箱。



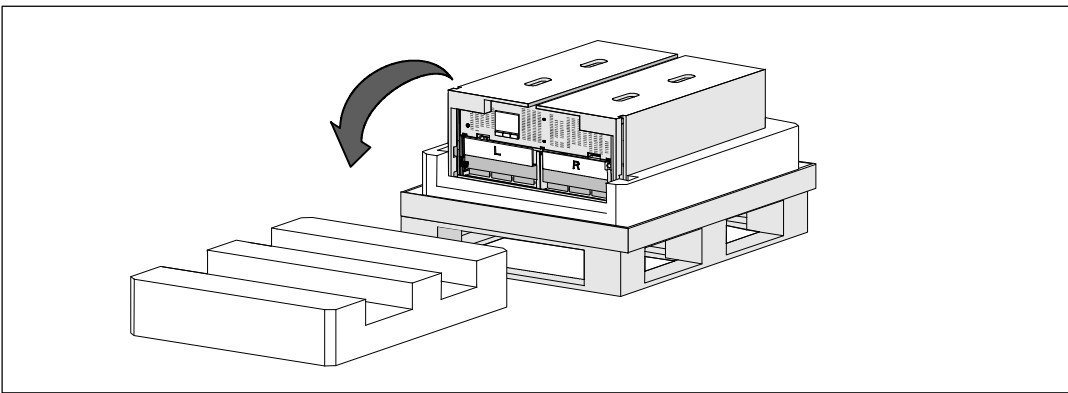
3 取下卡进顶部泡沫聚苯乙烯材料段中两个凹槽内的附件盒。

4 打开附件盒并放在附近平整、平坦的平面上。

 **注意：** *Dell 在线机架式 UPS 10 kW 用户指南*给出了包装拆解和安装的步骤。要参考此指南，请在将附件盒放在一边之前将该手册从附件盒中取出。



5 将顶部的泡沫聚苯乙烯部分取下，放在附近平整、平稳的平面上。



注意： 电池固定支架上带有左右侧标记 **L**（左）和 **R**（右），通过此种方式标示出了安装时它们必须位于的位置。

6 从 UPS 上取下两个固定支架：

找到左侧（带有 **L** 标记）的固定支架。

在机箱左侧，逆时针转动翼形螺钉以松开左固定支架。

将支架向中央立柱方向推移，以使得支架与机箱脱离。

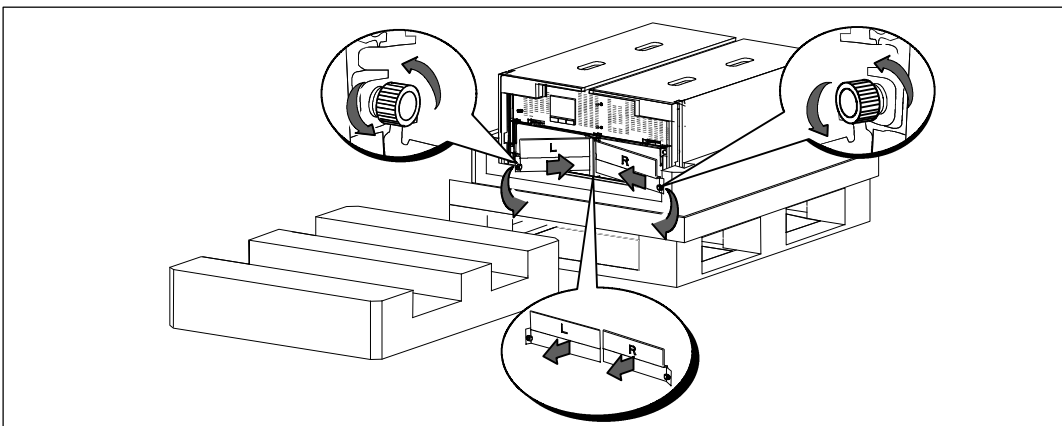
将支架朝向自己的方向旋转，并向左拉动，以将其拆下。将支架放在一边。

找到右侧（带有 **R** 标记）的固定支架。

在机箱右侧，逆时针转动翼形螺钉以松开右固定支架。

将支架向中央立柱方向推移，以使得支架与机箱脱离。

将支架朝向自己的方向旋转，并向右拉动，以将其拆下。将支架放在一边。



7 确保所有电池接头都已断开连接。

⚠ 小心： 由于电池较重（32 kg/71 lb）。因此建议在拆下电池时使用适当的搬抬工具。

8 从 UPS 取下电池座：

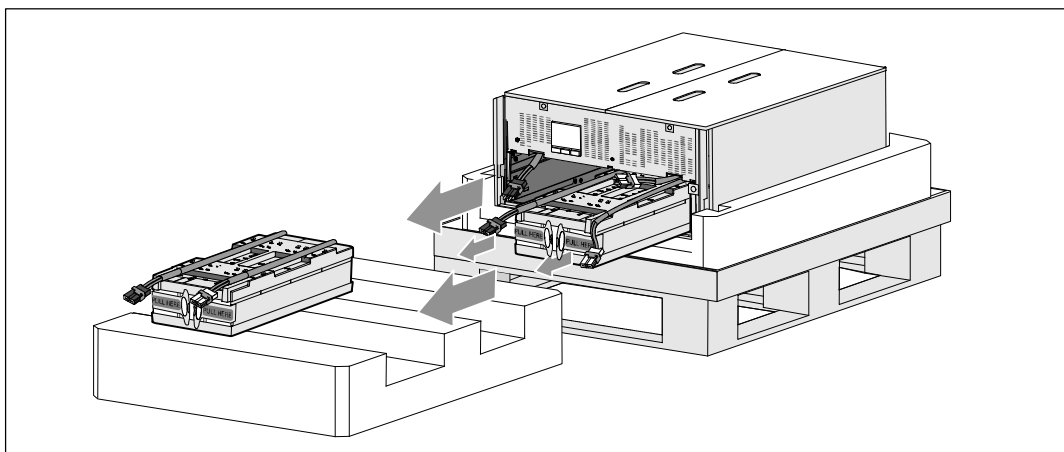
将电池盒顶部已断开的 UPS 电池连接器取出。

抓握住电池盘坐前部上的两个环形塑料突起。朝着自己的方向往外拉，将其从 UPS 中拉出。

✍ 注意： 橙色**拉动此处**标记指示抓握环形突起的位置。

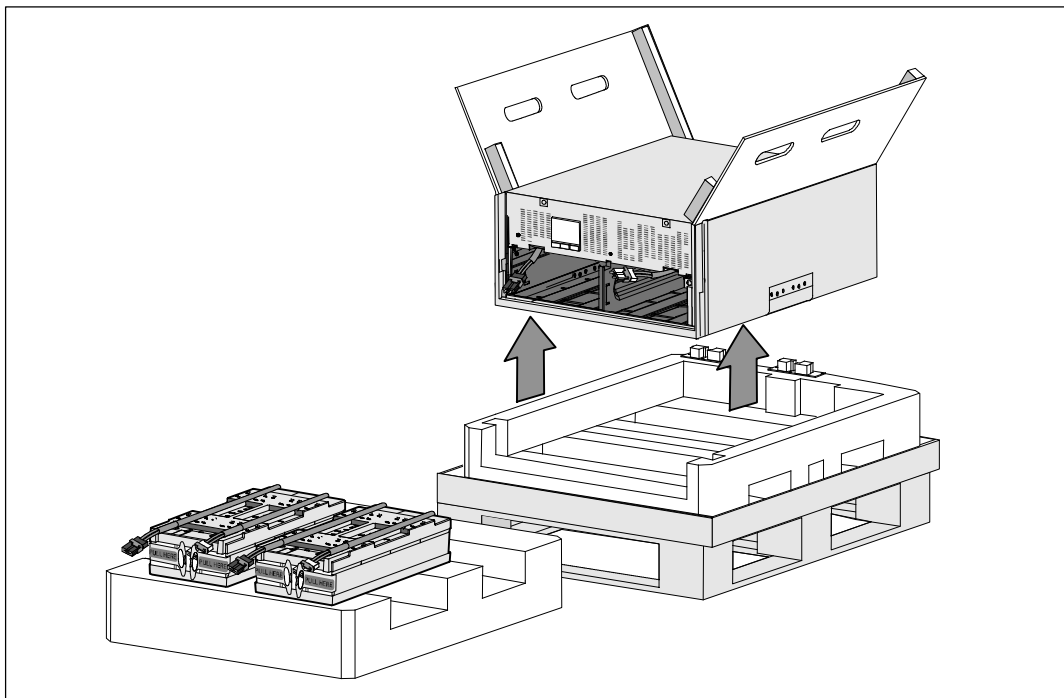
将电池盘坐放在您之前从 UPS 顶部取下的聚苯乙烯泡沫上。

对第二个电池盘座重复以上步骤。



⚠ 小心：取下电池的机箱仍然很重（46 kg/101 lb）。因此将机箱抬起放入机架中要求至少有两个人实施。









9 一人一边使用纸板上的手柄小心将机箱从外面的聚苯乙烯泡沫中取出，并放到平坦、稳定的平面上。



10 将机箱放在靠近将用来安装本 UPS 的机架的受保护区域内的平坦、稳定的平面上。

🔪 注意：确保该区域通风良好、干燥且不存在易燃性气体和无腐蚀情况。

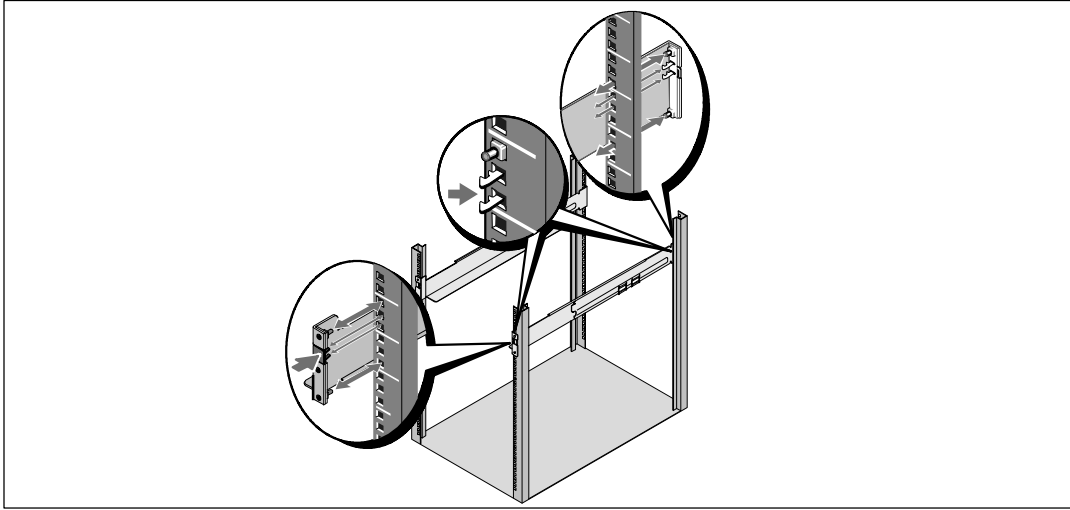
机架的安装

-  **小心：** 由于机箱较重 (99 kg/218 lb)：抬起机箱并在机架导轨上安装 UPS 前，始终先从 UPS 取下两个电池盘座。将机箱抬起放入机架至少需要两个人实施。
-  **小心：** 电池的安装或拆下应由熟知电池和所需注意事项的人员实施或指导。未经授权的人员不得接触电池。
-  **小心：** 由于电池较重 (32 kg/71 lb)。因此建议在拆下电池时使用适当的搬抬工具。
-  **小心：** 如果安装可选 EBM，EBM 必须位于 UPS 下方，并且 UPS 和 EBM 之间没有 U 空间。这样能确保及机架中重量分布更合理、接触 UPS 控制面板更容易，以及更容易设计电池接线的线路。这样还可以避免 EBM 线和 UPS 连接之间产生应力以及可能的连接故障。
-  **警告：** 对于机架安装的系统：
在机架中安装多个系统时，完成当前系统的所有程序然后尝试安装下一个系统。
-  **注意：** 需要为每个机箱安装导轨。
-  **注意：** 机箱是在前面罩挡板未安装的状态下进行运输的。
-  **注意：** 以下说明对于方孔机架和无螺纹圆孔机架是相同的。这些导轨匹配这两种机架。

在机架中安装 UPS：

- 1** 确保以下部件被放置在用来安装本 UPS 的机架附近的平坦、稳定的平面上：
 - 机箱
 - 两个 UPS 附件盒
 - 两个电池盘座（仅 UPS）
 - 两个电池固定支架（仅 UPS）

安装导轨



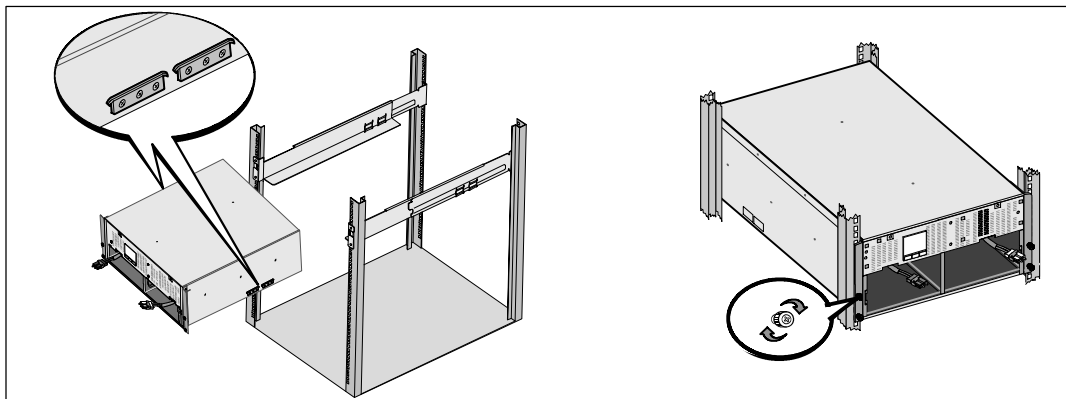
- 2 将导轨从导轨套件的附件盒上拆下。
- 3 在导轨上选择合适的孔将机箱定位于机架中预定的位置。
将导轨定位于分配给 UPS 的 5U 空间的底部。

⚠ 小心： 如果安装可选 EBM，EBM 必须位于 UPS 下方，并且 UPS 和 EBM 之间没有 U 空间。

✍ 注意： 要确定哪是右前部（标记有右前部）和哪是左前部（标记有左前部），可观察导轨上的标签。这是放置导轨进行安装的方法。

- 4 按照图示的位置对左右导轨进行定位。 将左右导轨安装到机架上去：
啮合导轨的后端，直到其完全卡在纵向机架法兰上，并且钩锁锁定在其位置上。
拉动导轨刚好超出机架前部。
推动导轨的前端，直到其完全卡在机架纵向法兰上，并且钩锁锁定到位为止。

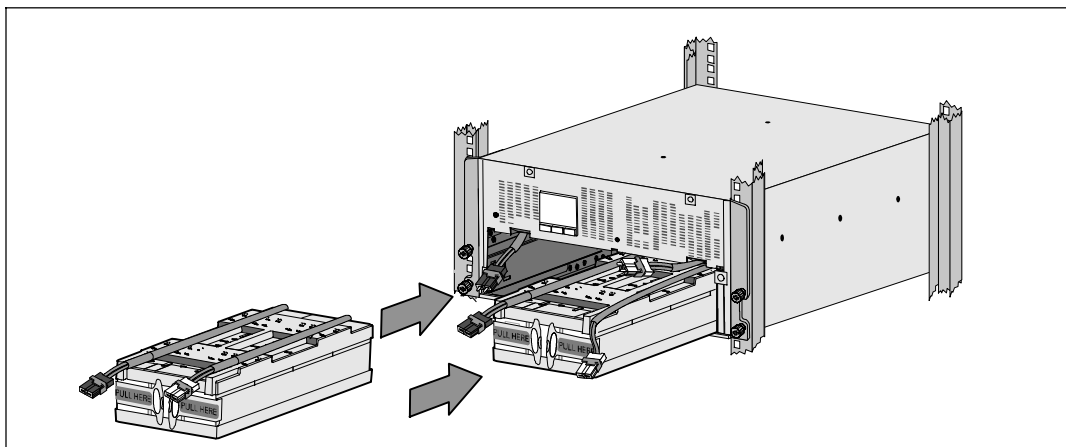
安装和固定机箱



⚠️ 小心： 取下电池的机箱仍然很重（46 kg/101 lb）。将机箱抬起放入机架至少需要两个人。

- 5** 将机箱滑到导轨上，然后滑至机架中。
- 6** 用固定架上的四个翼形螺钉将机箱前端固定到安装机架上。
用手顺时针拧紧翼形螺钉，不要使用电动工具。

电池盘座的安装



7 将您取出的电池盘座放在机架附近。

⚠️ 小心： 由于电池较重（32 kg/71 lb）。因此建议在安装电池时使用适当的搬抬工具。

🔪 注意： 电池盘座可安装在任意一个电池盒中。

🔪 注意： 将盘座插入，警告标签箭头朝上。

8 安装电池盘座：

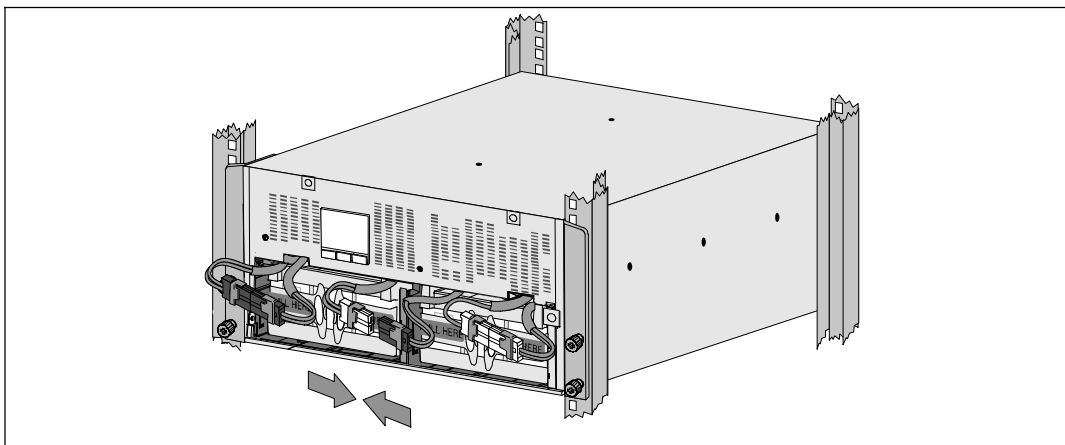
将电池盒顶部的 UPS 电池连接器取出。

将电池盘座完全滑入电池盒。

对第二个电池盘座重复以上步骤。

9 将环形突起卡入到每个电池盘座正面上的塑料套中，以将这些环形突起移开，给下一步安装腾出空间。

电池接头的连接



10 连接内部电池连接器：

将最左端的盘座接头连接到固定的 UPS 连接器。将最右端的盘座接头连接到固定的 UPS 连接器。



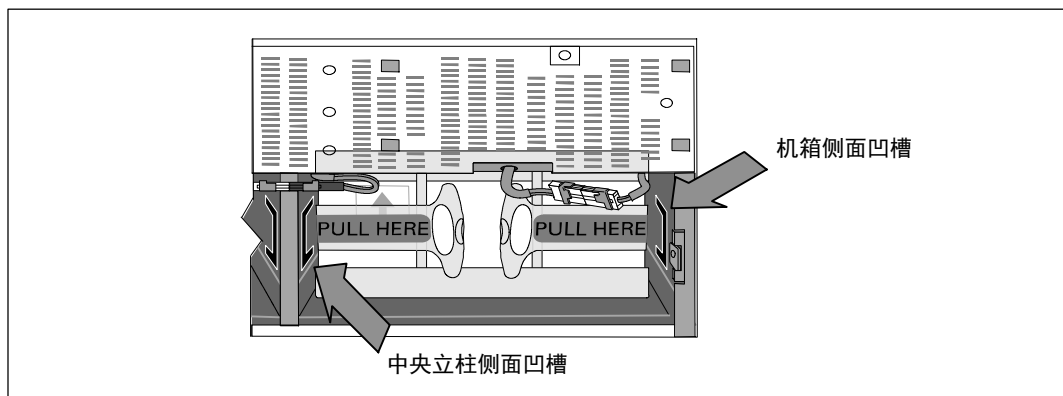
注意： 连接电池时可能会出现少量电弧。
这是正常现象，不会损坏本设备或导致任何安全上的担忧。

找到并连接中央立柱任一侧的电池跳线。将接头放在中央立柱顶部处的小搁架上。



注意： 连接好中央电池跳线后，以串联的方式将两个电池盘座连接在一起。

电池固定支架的更换



注意： 电池固定支架上带有左右侧标记 L（左）和 R（右），通过此种方式标示出了安装时它们必须位于的位置。

11 更换左侧（L 标记）和右侧（R 标记）电池固定支架：

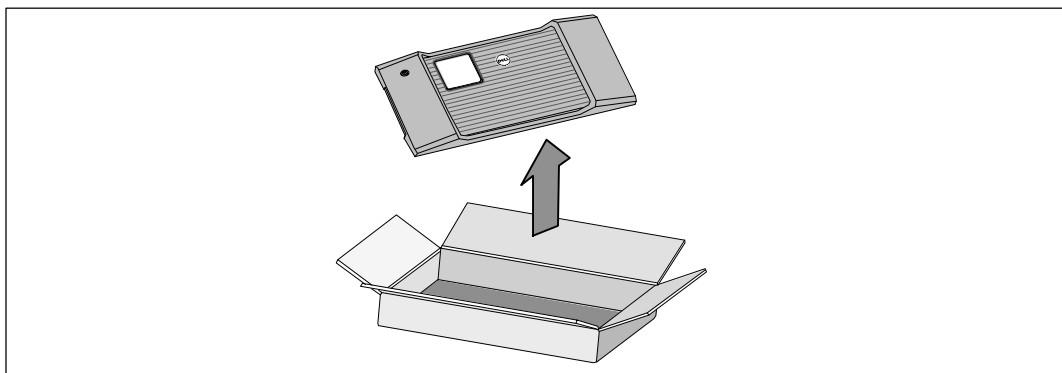
对于第一个电池固定支架，将支架突起插入中央立柱侧面的凹槽中。
将连接好的电池接线紧贴在固定支架后面。

将电池固定支架的末端与机箱侧面的凹槽对齐。推动支架直到牢固位于侧面凹槽中。

顺时针旋转翼形螺钉，以将支架固定。

更换第二个电池固定支架可重复以上步骤。

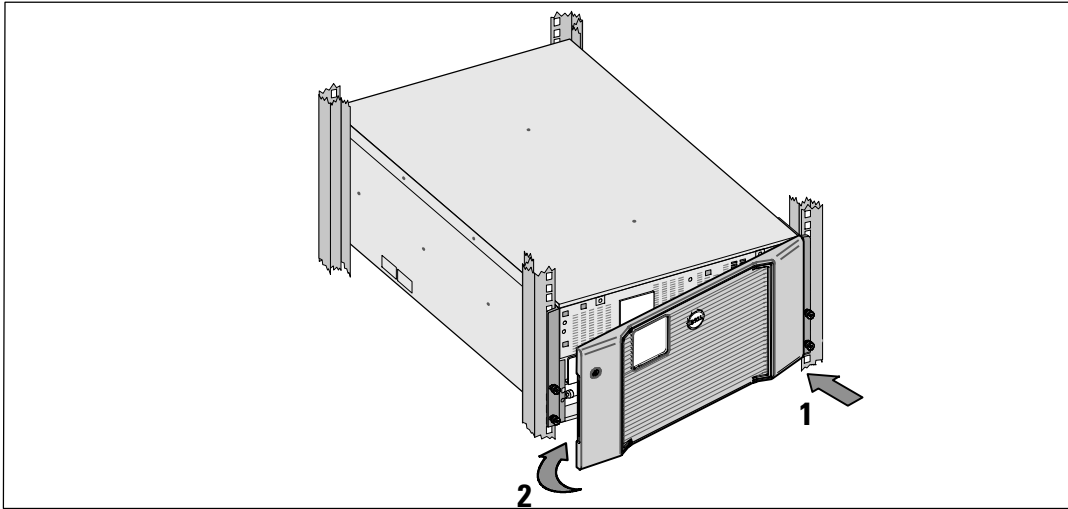
安装 UPS 前盖



12 将前部罩盖从附件盒中取出。



注意： 在安装 UPS 之前不要将软件 CD 光盘、通信缆线以及（如果需要）REPO 连接器从附件盒中取出。



13

安装 UPS 前盖：

将前部罩盖与机箱正面对正。

将前罩盖右侧突起插入右侧机箱的突起开口。

将罩盖的左侧向前推，将其卡在机箱上。



注意： 将罩盖固定到机箱上之前，确保 UPS 机箱上的 LCD 显示屏与前部罩盖上的 LCD 显示屏窗框对正。

14


以负责任的态度将包装丢弃或回收利用，或者收起存放以备将来使用。

连接设备

要安装 UPS，请在以下情况下执行以下步骤：

1 如果您要使用 Dell MUMC and Dell ULNM 软件，请按以下任一方法建立通信连接：


- 使用 Dell Network Management Card （如果有安装）
- 使用所提供的线缆将您的计算机与 USB 端口连接

 **注意：** 更多关于通信选项的信息，见 *Dell 在线机架式 UPS 10 kW 用户指南*。

2 如果机架带有接地或连接不接地金属块的导体，请将接地线（未提供）与接地螺钉连接。参见第 158 页的“UPS 后面板”了解这三种型号接地螺钉的位置。


3 如果地方法规要求使用应急电源关闭（断开）开关，请参见 *Dell 在线机架式 UPS 10 kW 用户指南* 中的“安装远程应急电源关闭”。

4 如果安装可选 EBM，请参考 Dell 在线机架式 10 kW EBM 入门指南 了解安装说明。

 **小心：** 如果 UPS 在无 EBM 的情况下储存或使用，作为一项安全措施，必须在 UPS 的后面板上安装电池连接器护盖。

5 将需要保护的设备插入到 UPS 输出插座中，不要启动受保护设备的电源。

6 做好所有必要的准备措施，以固定电源线并消除应变的固定和应变释放。

 **注意：** 验证设备的总额定值不超过 UPS 的容量，以防止出现过载警报。

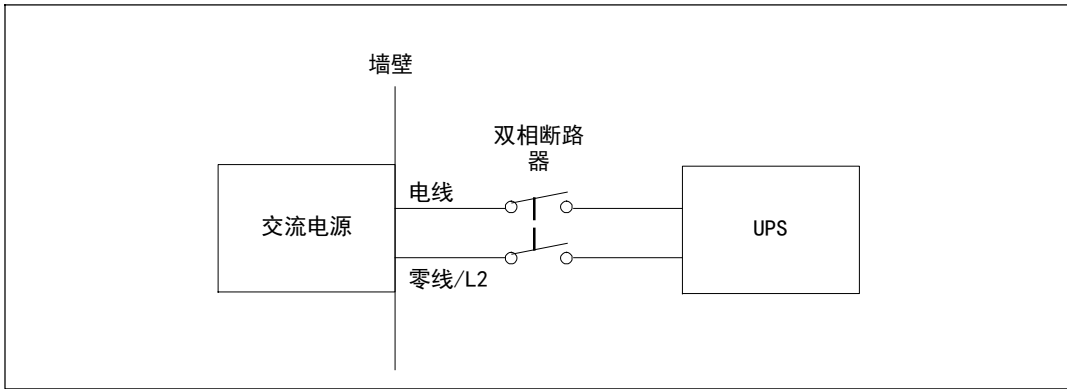
UPS 输入端的硬连线



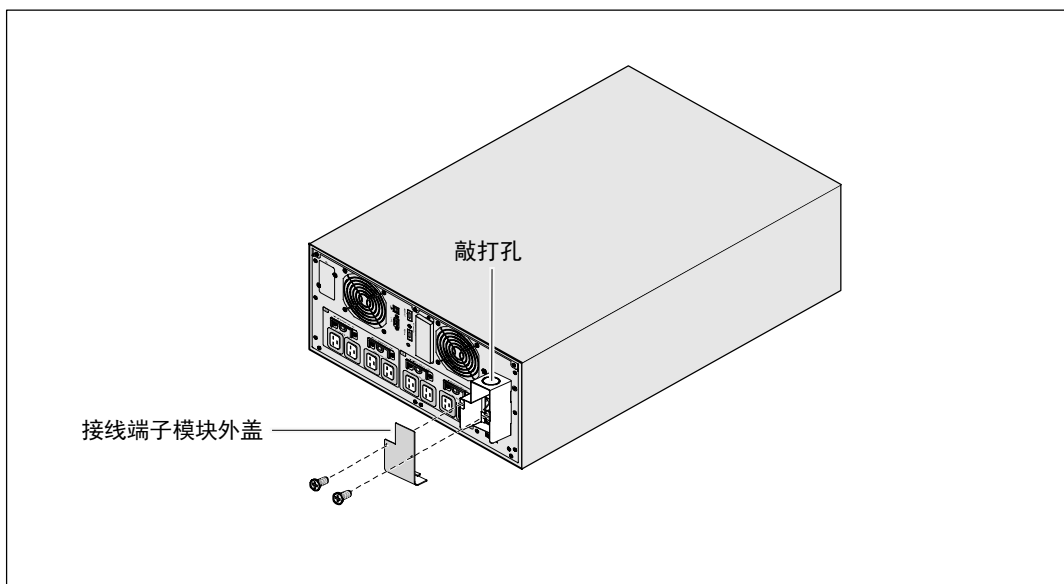
警告：触电的危险。电气安装工作只能由合格的检修人员（例如持照电工）实施。

De11 在线机架式对于硬连线机型，还需连接满足以下要求的专用分支电路：

- 保护设备要求在 UPS 输出和主电源之间有两相断开设备
- 断路器必须安装在墙壁上，并且便于操作人员进行接触
- **欧洲。** 断路器必须符合 IEC/EN 60934 标准，且接触空隙至少为 3 mm
- 200 - 240 Vac
- 单相
- 50/60 Hz
- 金属软管（推荐使用，以方便检修和维护保养）

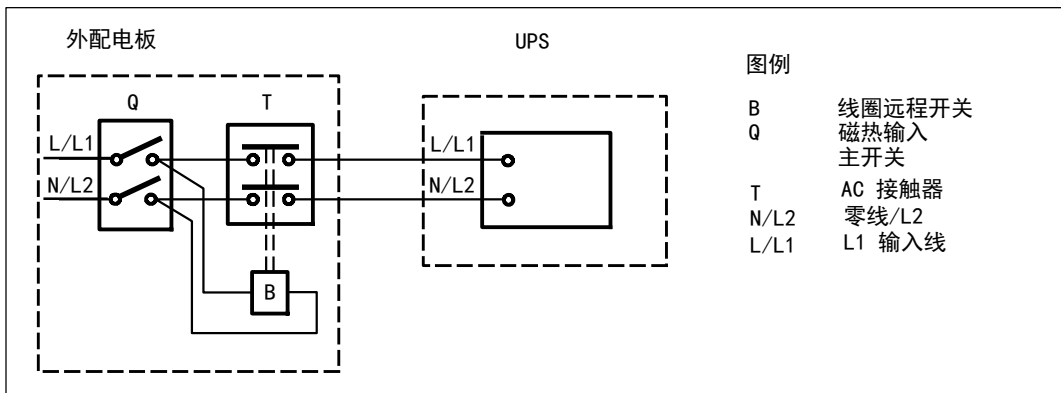


取下接线端子模块外盖



- ❶ 在连接 UPS 的分线点处关闭市电电源。绝对确保未通电。
- ❷ 取下接线端子模块外盖（2 个螺钉），并保存。
- ❸ 取下接线端子模块外盖上用于输导管的敲打孔。此孔其孔径必须能容纳 1" 或 1.5"（25.4 mm 或 38.1 mm）的中间金属导管（IMC）。

⚠️ 小心： 如果 UPS 没有针对电流反馈的自动保护设备，请安装外部绝缘设备。
 设备安装后，必须在外部交流接触器上贴附一个写有以下语句或类似内容的警告标签：
危险， 电压 倒供。 在对此电路操作前将 UPS 隔离，然后检查所有端子之间是否存在危险电压。

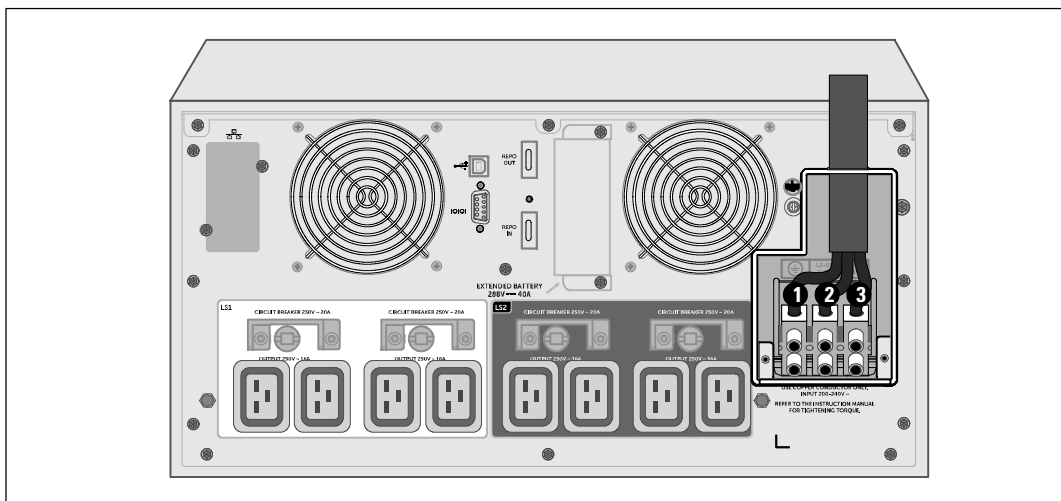


下表列出可用作外部隔离设备以进行反向馈电保护的反向馈电保护设备（AC 接触器）。 仅使用表中列出的 AC 接触器。

制造商	类型	额定值
ABB France (E12527)	A75-30	220 - 240 Vac, 105A 25 HP 208V, 30HP 240V
天水二一三电器有限公司 (E203071) (替代)	GSC1 (CJX4-d)-6511	220 - 240 Vac, 68A 25 HP
天水二一三电器有限公司 (E203071) (替代)	GSC1 (CJX4-d)-8011	220 - 240 Vac, 80A 30 HP

📌 注意： 尽管本 UPS 中不含有防反向馈电 (ABF) 继电器，但仍然提供有一定程度的反向馈电保护。例如，如果在电池供电模式下某些组件被损坏，输出电压可能会反向供给输入端。在这种情况下，就使用变流器 (CT) 检测旁路电流反向馈电电压。如果检测到存在有电流反向馈电故障状态，则 UPS 会终止逆变器的输出，避免对人员造成人身伤害。

安装输入线和接地线



- 4 将输入接线穿过导管，留 2 英尺（0.5 米）长的线露出。将金属软接头连接到导管的一端。
- 5 将导管插入配线进口，将导管接头连接到面板上。从每根进线的末端剥下 0.5"（1.5 厘米）的绝缘层。
- 6 按照下表的 UPS 配线规格将输入和地线连接到接线端子模块。

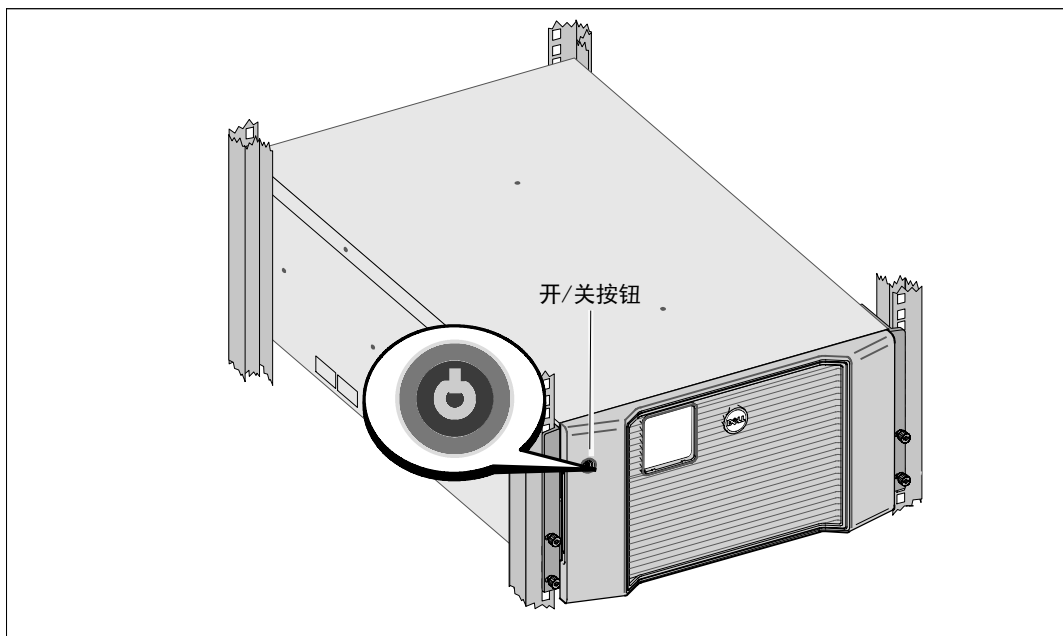
接线功能	接线端子的位置	UPS 接线的功能	端子线的尺寸 和额定值*	紧固力矩
输入	1	将输入端接地	16 - 35 mm ² (8 - 2 AWG)	1.7 Nm (15 lb-in)
	2	L2/零线接入		
	3	L1 接入		

* 采用的接线的最低规格：

- 8对于设备接地线，最低采用 8 AWG、75°C 的铜线
- 4对于输入线和零线，最低采用 4 AWG、75°C 的铜线


- 7 更换接线端子模块的外盖。

启动 UPS



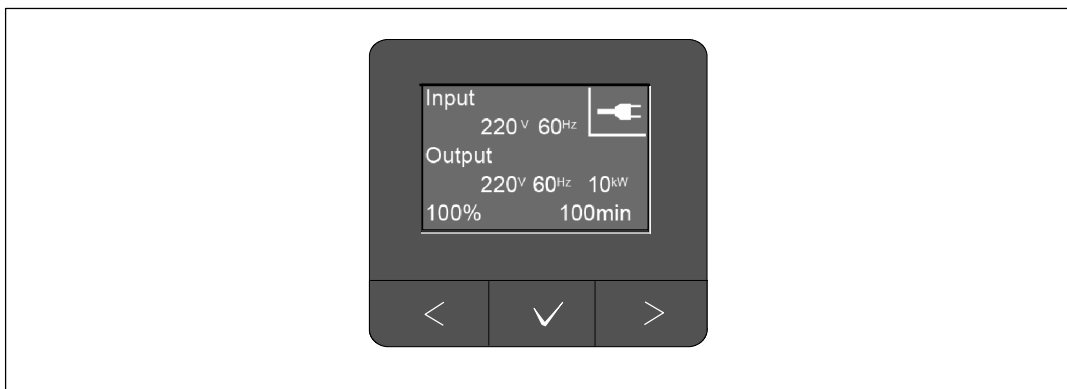
要启动 UPS，请执行以下步骤：

- 1 确保内部电池已连好。
- 2 如果安装了可选的 EBM，确认 EBM 已与 UPS 连接。更多信息，请参阅 Dell 在线机架式 10 kW EBM 入门指南。
- 3 确保所有负荷段断路器都处于开启位置。
- 4 开启主市电电源断路器。

UPS 的 LCD 显示屏亮起。Dell 开机屏幕变为 UPS 状态汇总屏幕。UPS 前面板显示屏上显示出正在闪烁的“待机”图标 。


- 5 按下 UPS 前面板上的开/关按钮。

启动完成后，状态根据 UPS 工作模式改变。



- 6 在 UPS 状态汇总屏幕上，按下 > 按钮，查看活动警报或注意。解除所有已激活的警报后再继续。参见 *De11 在线机架式 UPS 10 kW 用户指南* 中的“故障处理”。

如果没有活动警报，会出现“无报警”信息。

- 7 确认“正常 (Normal)”  图标 显示在 UPS 状态汇总屏幕上，这表明 UPS 运转正常，任何负载都有电力供给。

- 8 以下信息，请参阅 *De11 在线机架式 UPS 10 kW 用户指南*。


- 有关安装可选扩展电池模块 (EBM) 后的配置程序
- 设置日期和时间，更改其他出厂默认设置


- 9 如果您安装了可选的 REPO，则请测试 REPO 功能：


开启外部 REPO 开关。检查 UPS 显示屏上是否有状态变化。


将外部 REPO 开关置于关状态，重启 UPS。

- 10 对电池进行充电。

 **注意：** 内置电池在不到 3 小时内可充至 90% 的电量。但是，电池在安装或长期存放后必须充电 48 小时。

 **小心：** 为避免 UPS 过载情况，请一次连接一个设备，并确保每个保护的设备完全启动后再连接下一个设备。

 **注意：** Dell 建议设置日期和时间用于故障排除或保修。

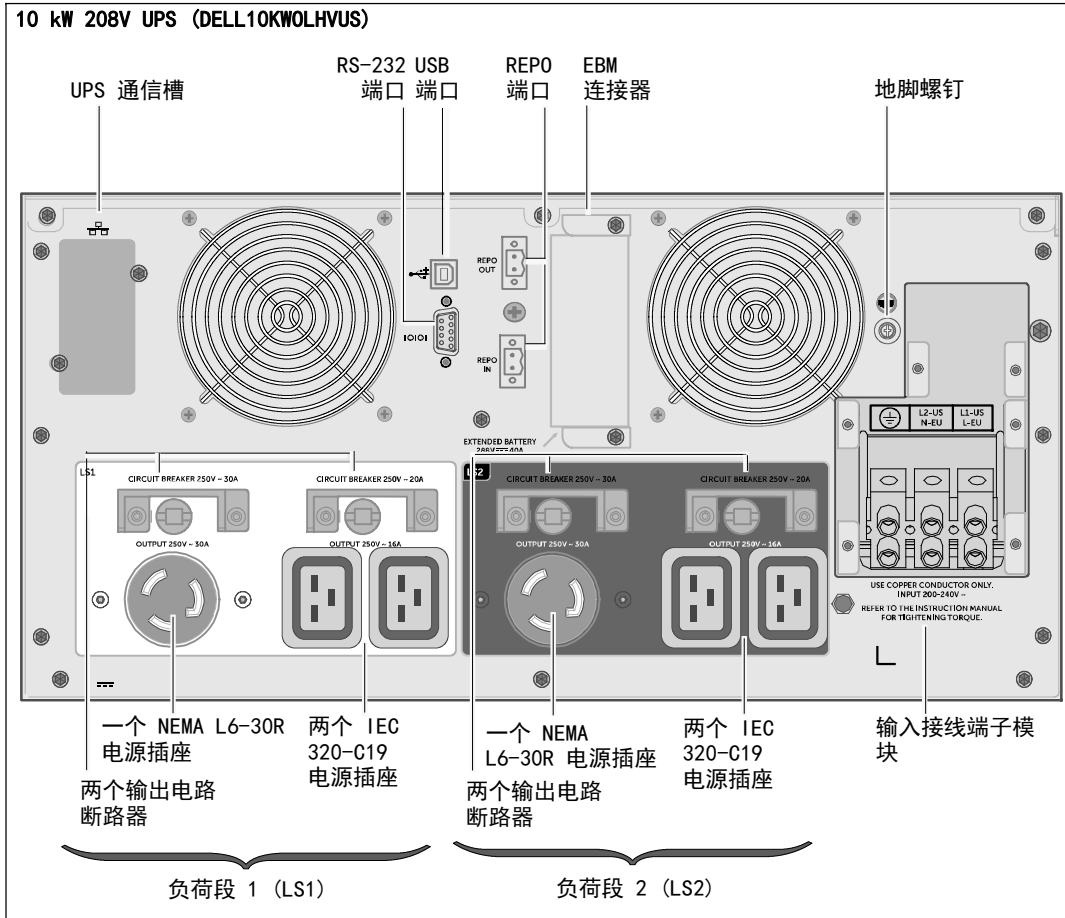
 **注意：** 初始启动时，UPS 根据输入接线的频率（默认情况下输入频率自动侦测功能会开启）设置系统频率。初始启动之后，自动感测功能会被禁用，直至您通过设置输出频率手动重新开启。



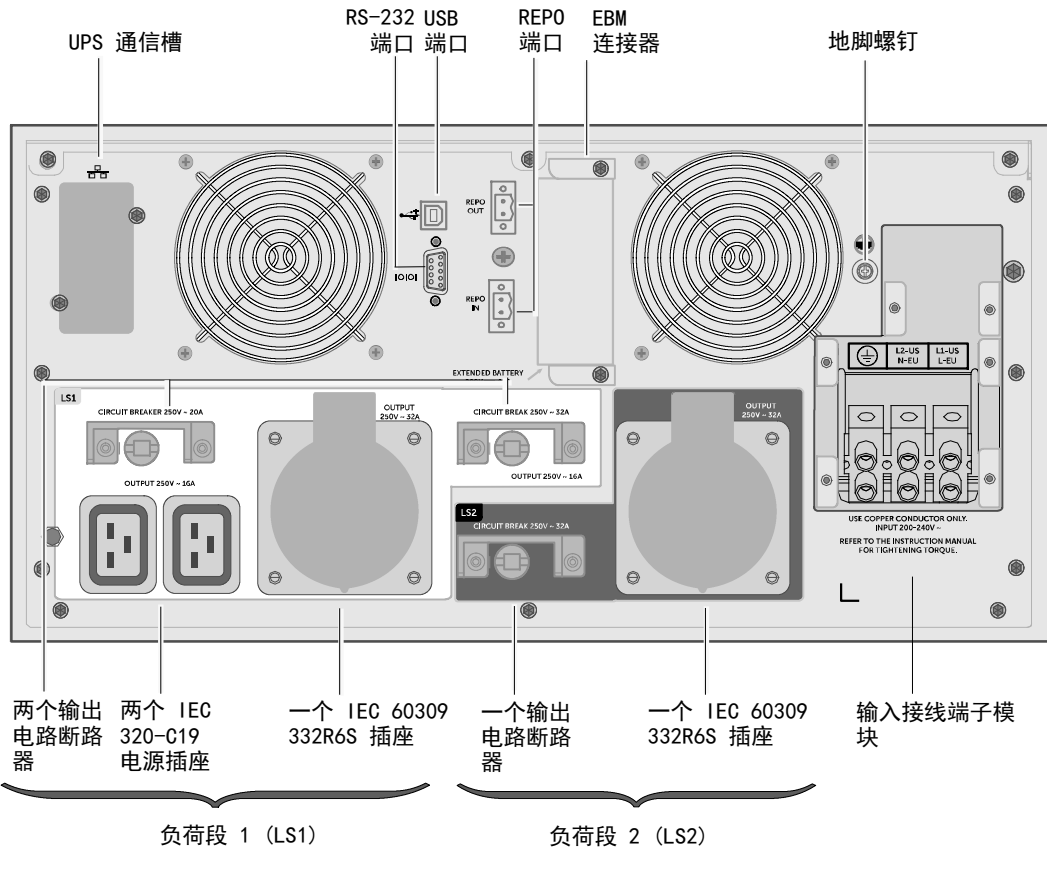
注意： 初始启动时，默认将输入输入电压自动侦测功能开启。
以后启动之后，自动感测功能会被禁用，直至您通过设置输出电压手动重新开启。

识别 UPS 后面板

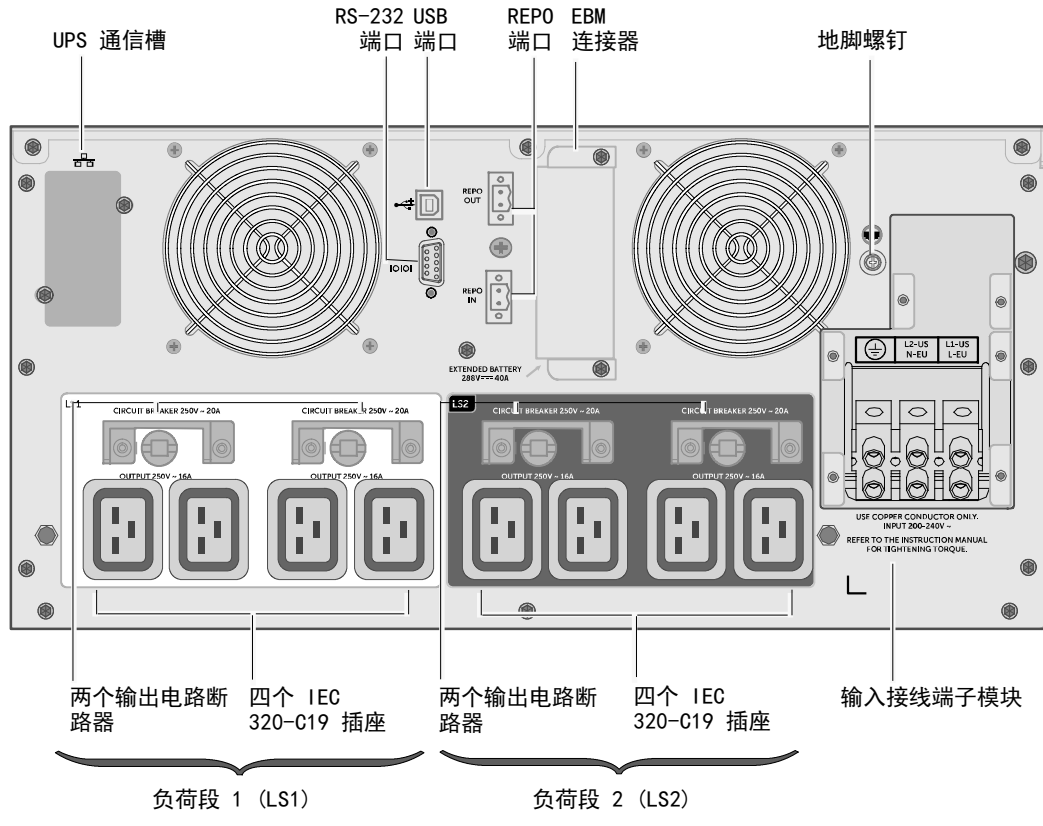
本节介绍三个 Dell 在线机架式 10 kW UPS 型号的后面板。



10 kW 230V UPS (DELL10KWOLHV)



10 kW 230V UPS (DELL10KWOLHVB)



Dell™ 在線機架式 UPS
10 kW

系統使用
入門指南

DELL10KWOLHVUS, DELL10KWOLHV, DELL10KWOLHVB
DELL10KWEBM



注意和警告



注意：「注意」表示可幫助您更好使用本軟件的重要信息。



危險：「危險」表示緊急危險情況，如果不加以避免，將導致死亡或嚴重的傷害。



警告：「警告」表示潛在危險情況，如果不加以避免，可能會導致死亡或傷害。



小心：「小心」表示潛在危險情況，如果不加以避免，可能導致輕度或中度傷害，或財產損失事故。



危險：遵守下列須知有助於防止緊急危險情況發生，該情況若不加以避免，將導致死亡或嚴重的傷害：

- 本 UPS 中含有 **致命性電壓**。所有維修和檢修工作都只應由 **授權檢修人員實施**。本 UPS 中 **沒有使用者可自行維修的部件** 或 EBM。

本文件所含信息如有變更，恕不另行通知。

© 2012 Dell Inc. 保留所有權利。

未經 Dell Inc. 書面許可，嚴禁以任何形式進行複製。

本文中使用的商標：Dell 和 DELL 徽標是 Dell Inc. 的商標。

能源之星 (ENERGY STAR) 是美國環保署所擁有的註冊商標。

本文件中可能會用到其他商標和商品名稱指稱對這些商標和名稱或其產品擁有所有權的企業實體。Dell Inc. 對不屬於自己的商標和商品名稱所帶有的專有利益，不行使任何擁有權。

2012 年 12 月

系統特性

該 UPS 可提供傑出的性能與可靠性，包括下列獨有優勢：

- 具有純正弦波輸出的在線式 UPS 設計。
- 真正在線雙轉換技術，提供高功率密度，不受市電頻率影響，可兼容各種發電機。
- 降壓與升壓調節，透過糾正電壓波動確保調節後的電壓能與您的用電設備相適應。
- UPS 透過濾波和調節輸入的交流電，從而為您的設備提供穩定的電力，無需消耗電池的電力。
- 可選擇的「高效能」操作模式。
- 5U UPS 高度。
- 即使沒有公用電源，電池啟動功能也能給 UPS 供電。
- 不必關閉 UPS 即可安全更換電池，因此維護操作非常簡便。
- Dell 服務標牌上的信息可從正面控制面板上的 LCD 顯示屏上讀取到。
- 透過可選配的External Battery Module (EBM) 可延長其工作時間。
- 透過遠程電源緊急關閉 (REPO) 端口可實現應急停機控制。
- 帶有兩個標準通訊端口 (USB 和 RS-232 串行端口)。
- 可選配 Dell Network Management Card (也稱為 NMC)，這樣可增強通訊功能，從而可獲得更強的電源保護和控制。
- 可選配Powerware Environmental Monitoring Probe (EMP)，用來采集框架環境中的溫度和濕度讀數，並遠程監控環境數據。您還可以采集和獲取兩個由使用者提供的接觸設備的狀態。
- 可使用 Dell™ Multi-UPS Management Console (MUMC) and Dell™ UPS Local Node Manager (ULNM) 基於 Web 的應用軟件進行高級電源管理，從而實現平滑關機和電源監控。
- 利用被稱作負荷段的各獨立的插座組實現順序關機和負載管理。
- 無需撥打服務部門的電話，即可輕鬆對固件進行升級。
- 提供全球代理認證支持。
- 能源之星 (ENERGY STAR)[®] 認證的 UPS。

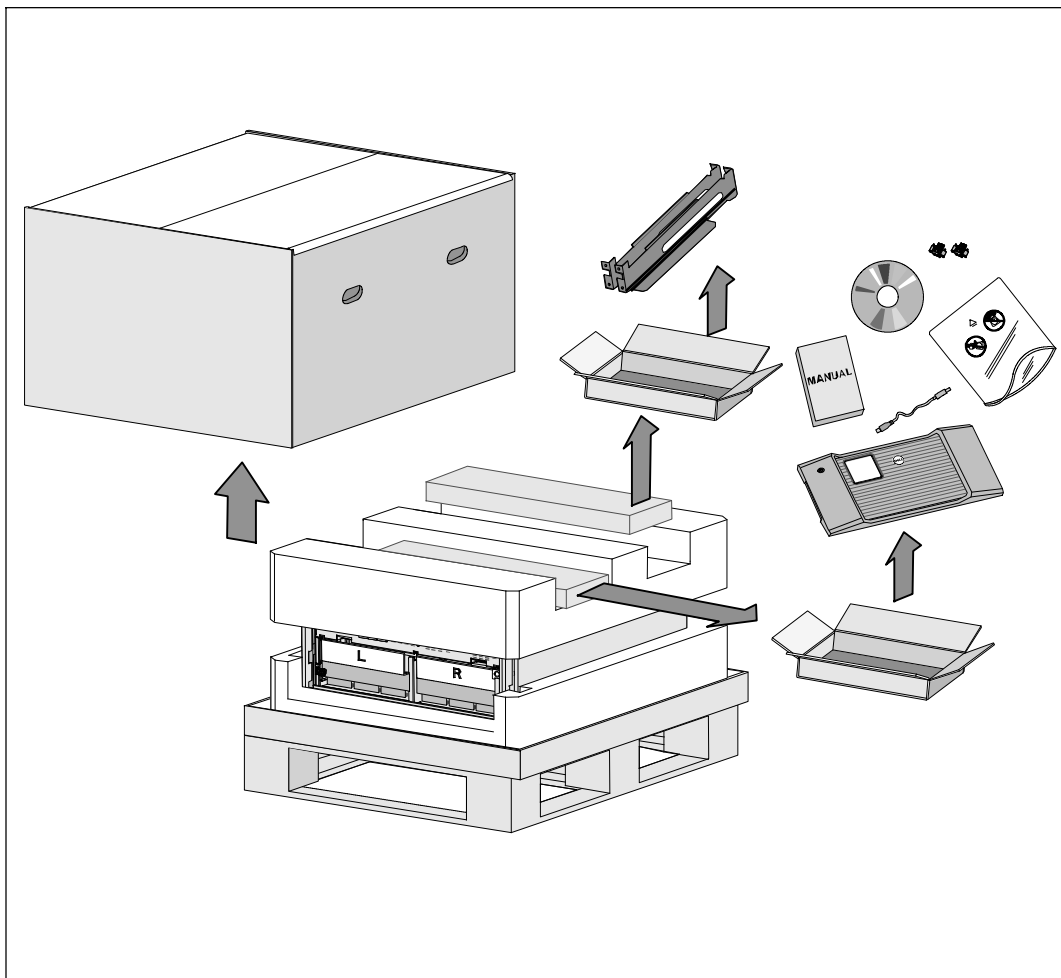





查找信息


 **小心：** 本安全、環境和法規性信息文件提供了重要的安全和法規性信息。


您要查找什麼文件？	在此查找
<ul style="list-style-type: none">• UPS 用戶指南• Dell Network Management Card 用戶指南• Dell MUMC and Dell ULNM 用戶指南	Dell UPS 光盤 
<ul style="list-style-type: none">• 規格• 如何配置 UPS 的設定• 如何診斷故障和解決問題• 如何安裝 REPO 控制裝置	Dell UPS 使用者指南 使用者指南可從 Dell UPS 光盤和 www.support.dell.com 上獲取到。
<ul style="list-style-type: none">• 安全操作須知• 法規性信息• 回收利用信息	安全、環境和法規性信息
<ul style="list-style-type: none">• 保修信息• 條款和條件（僅限美國）• 最終使用者許可協議	Dell 保修和支持信息
<ul style="list-style-type: none">• 支持信息	Dell 技術支持網站 - www.support.dell.com 注意：選擇您所屬的地區或行業部門，以查看合適的支持網站。


安裝和啟動



-  **小心：**
在執行本文件中的步驟之前，請先閱讀和遵循安全、環境和法規性信息文件中的安全操作說明和重要的法規性信息。
-  **小心：** 在低溫環境下拆開機箱包裝可能導致機箱及其內部發生冷凝現象。
請在機箱內外完全乾燥後再安裝（以防觸電危險）。
-  **小心：** 電池座盤的安裝或拆除應由熟知電池和所需注意事項的人員實施或指導。
未經授權的人員不得接觸電池。

 小心：由於機箱較重 (99 kg/218 lb)：抬起機箱前請始終拆除兩個電池盤座。
將機箱抬起放入機架至少需要兩個人。

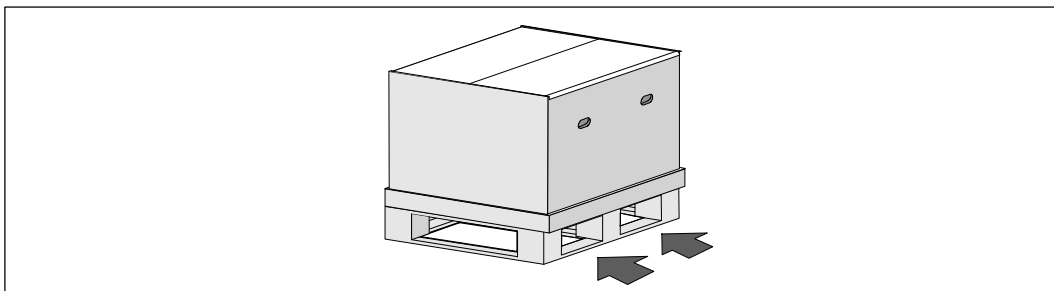
 小心：由於電池較重 (32 kg/71 lb)。因此建議在拆下電池時使用適當的搬抬工具。

 注意：搬動和打開運輸箱時請小心謹慎。在各組件可以進行安裝之前，保持其處於包裝狀態。
本節描述首次安裝系統的步驟。

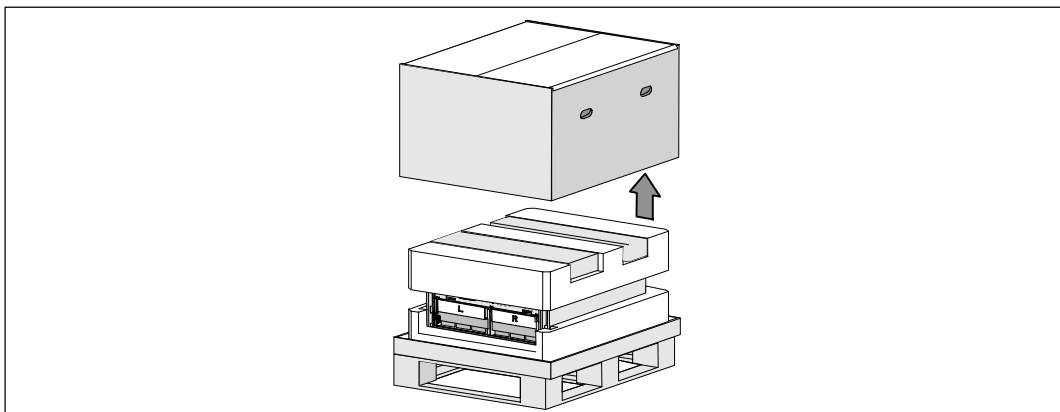
機箱拆包

本系統的包裝拆解：

1 使用叉車或液壓車將運輸箱和托盤移動到您將要安裝 UPS 的地方附近。




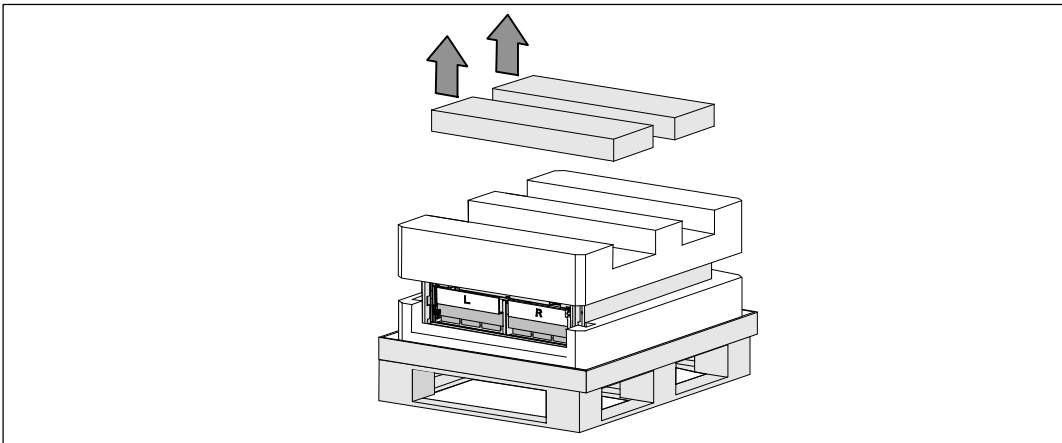
2 拆離並移走外運輸箱。



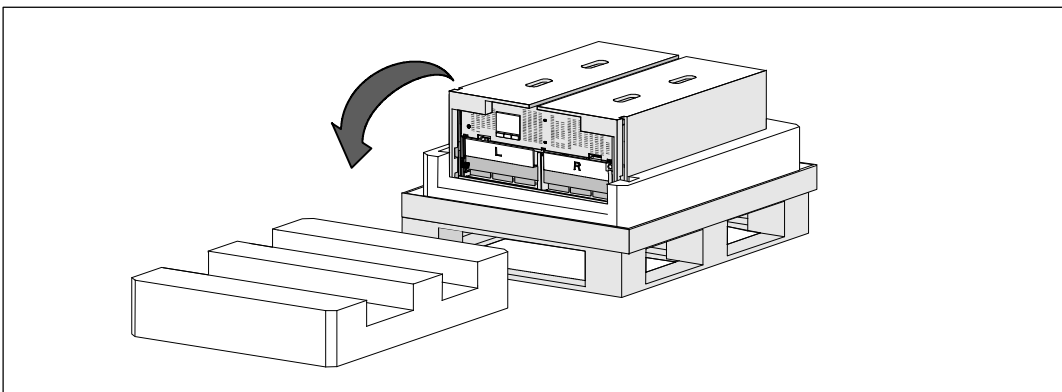
3 取下卡進頂部泡沫聚苯乙烯材料段中兩個凹槽內的附件盒。


4 打開附件盒並放在附近平整、平坦的平面上。

 **注意：** *Dell 在線機架式 UPS 10 kW 使用者指南* 給出了包裝拆解和安裝的步驟。要參考此指南，請在將附件盒放在一邊之前將該手冊從附件盒中取出。



5 將頂部的泡沫聚苯乙烯部分取下，放在附近平整、平穩的平面上。



 **注意：** 電池固定支架上帶有左右側標記 **L**（左）和 **R**（右），透過此種方式標示出了安裝時它們必須位於的位置。

6 從 UPS 上取下兩個固定支架：

找到左側（帶有 **L** 標記）的固定支架。

在機箱左側，逆時針轉動翼形螺釘以鬆開左固定支架。

將支架向中央立柱方向推移，以使得支架與機箱脫離。

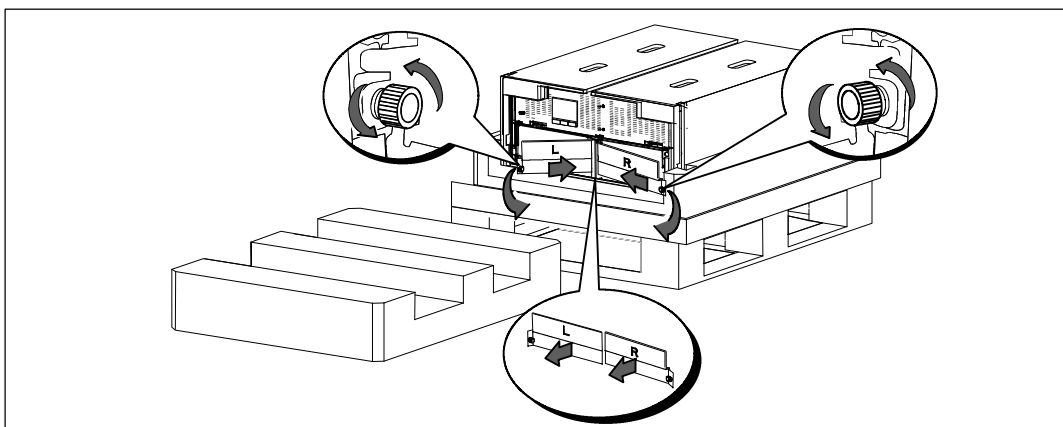
將支架朝向自己的方向旋轉，並向左拉動，以將其拆下。將支架放在一邊。

找到右側（帶有 **R** 標記）的固定支架。

在機箱右側，逆時針轉動翼形螺釘以鬆開右固定支架。

將支架向中央立柱方向推移，以使得支架與機箱脫離。

將支架朝向自己的方向旋轉，並向右拉動，以將其拆下。將支架放在一邊。



7 確保所有電池接頭都已斷開連接。

⚠ 小心：由於電池較重 (32 kg/71 lb)。因此建議在拆下電池時使用適當的搬抬工具。

8 從 UPS 取下電池座：

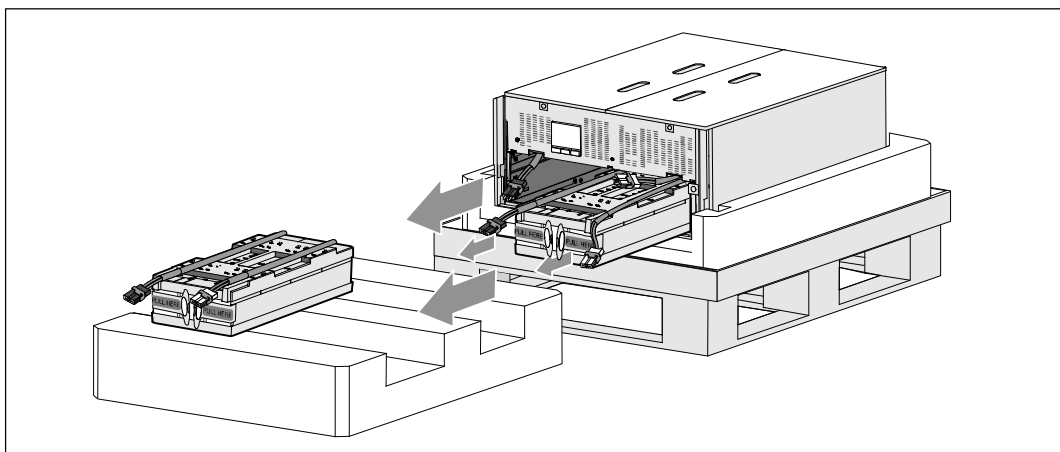
將電池盒頂部已斷開的 UPS 電池連接器取出。

抓握住電池盤坐前部上的兩個環形塑料突起。朝著自己的方向往外拉，將其從 UPS 中拉出。

✍ 注意：橙色標記指示抓握環形突起的位置。

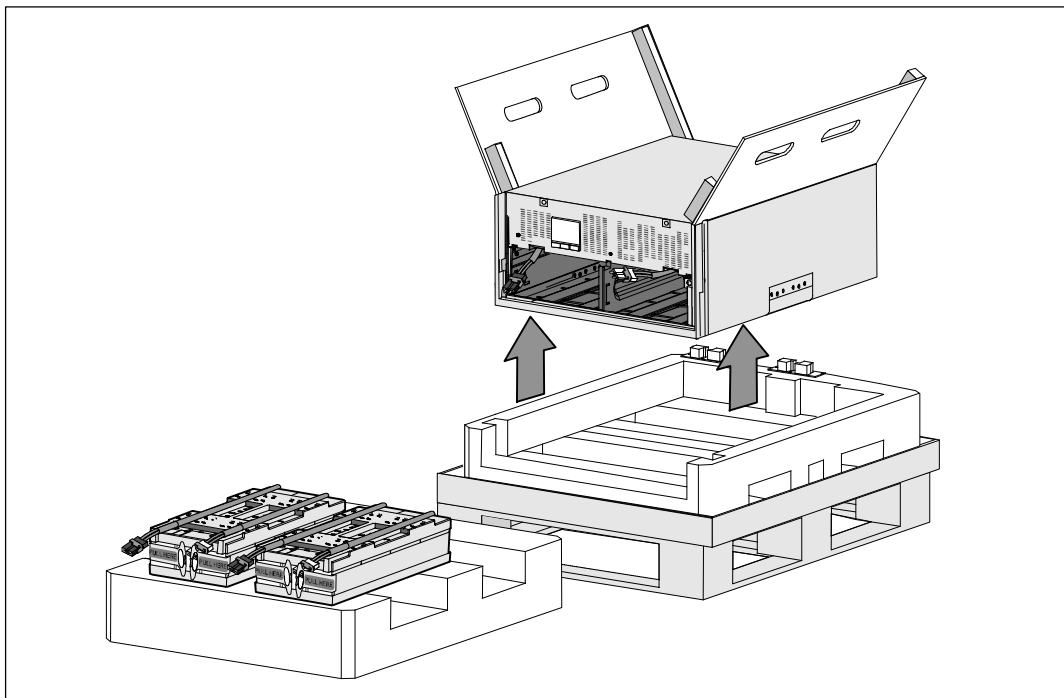
將電池盤坐放在您之前從 UPS 頂部取下的聚苯乙烯泡沫上。

對第二個電池盤座重複以上步驟。



⚠ 小心：取下電池的機箱仍然很重 (46 kg/101 lb)。因此將機箱抬起放入機架中要求至少有兩個人實施。









9 一人一邊使用紙板上的手柄小心將機箱從外面的聚苯乙烯泡沫中取出，並放到平坦、穩定的平面上。



10 將機箱放在靠近將用來安裝本 UPS 的機架的受保護區域內的平坦、穩定的平面上。

📌 注意：確保該區域通風良好、乾燥且不存在易燃性氣體和無腐蝕情況。

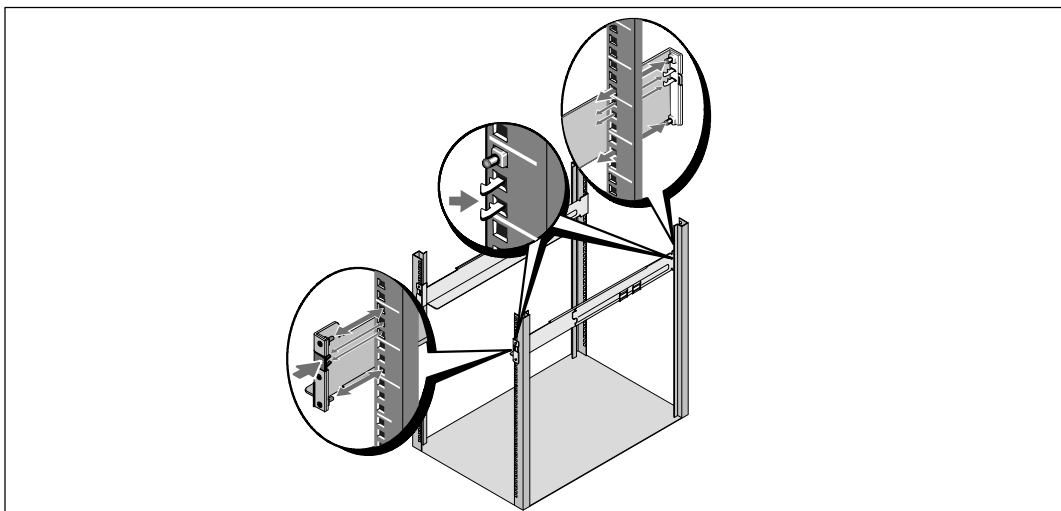
機架的安裝

-  **小心：** 由於機箱較重 (99 kg/218 lb)：抬起機箱並在機架導軌上安裝 UPS 前，始終先從 UPS 取下兩個電池盤座。將機箱抬起放入機架至少需要兩個人實施。
-  **小心：** 電池的安裝或拆下應由熟知電池和所需注意事項的人員實施或指導。未經授權的人員不得接觸電池。
-  **小心：** 由於電池較重 (32 kg/71 lb)。因此建議在拆下電池時使用適當的搬抬工具。
-  **小心：** 如果安裝可選 EBM，EBM 必須位於 UPS 下方，並且 UPS 和 EBM 之間沒有 U 空間。這樣能確保及機架中重量分布更合理、接觸 UPS 控制面板更容易，以及更容易設計電池接線的線路。這樣還可以避免 EBM 線和 UPS 連接之間產生應力以及可能的連接故障。
-  **警告：** 對於機架安裝的系統：
在機架中安裝多個系統時，完成當前系統的所有程序然後嘗試安裝下一個系統。
-  **注意：** 需要為每個機箱安裝導軌。
-  **注意：** 機箱是在前面罩擋板未安裝的狀態下進行運輸的。
-  **注意：** 以下說明對於方孔機架和無螺紋圓孔機架是相同的。這些導軌匹配這兩種機架。

在機架中安裝 UPS：

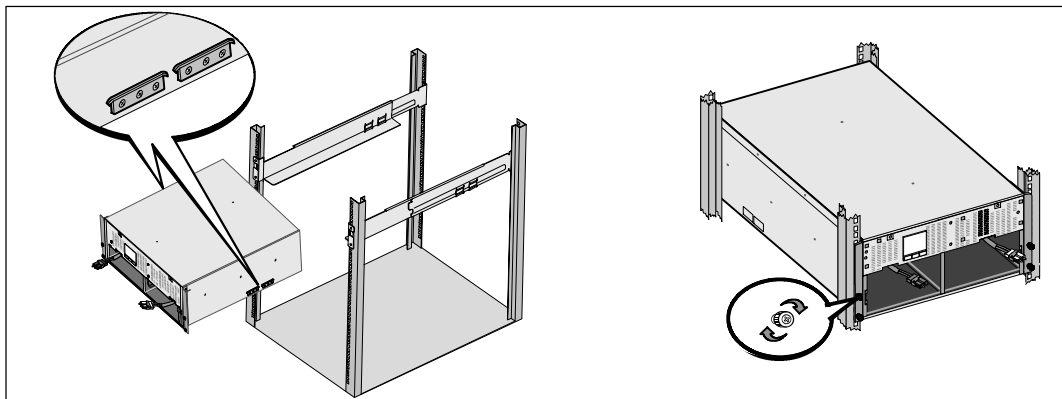
- 1 確保以下部件被放置在用來安裝本 UPS 的機架附近的平坦、穩定的平面上：
 - 機箱
 - 兩個 UPS 附件盒
 - 兩個電池盤座（僅 UPS）
 - 兩個電池固定支架（僅 UPS）

安裝導軌



- 2 將導軌從導軌套件的附件盒上拆下。
 - 3 在導軌上選擇合適的孔將機箱定位於機架中預定的位置。
將導軌定位於分配給 UPS 的 5U 空間的底部。
- ⚠ 小心：** 如果安裝可選 EBM，EBM 必須位於 UPS 下方，並且 UPS 和 EBM 之間沒有 U 空間。
- ✍ 注意：** 要確定哪是右前部（標記有**右前部**）和哪是左前部（標記有**左前部**），可觀察導軌上的標籤。這是放置導軌進行安裝的方法。
- 4 按照圖示的位置對左右導軌進行定位。將左右導軌安裝到機架上去：
齧合導軌的後端，直到其完全卡在縱向機架法蘭上，並且鉤鎖鎖定在其位置上。
拉動導軌剛好超出機架前部。
推動導軌的前端，直到其完全卡在機架縱向法蘭上，並且鉤鎖鎖定到位為止。

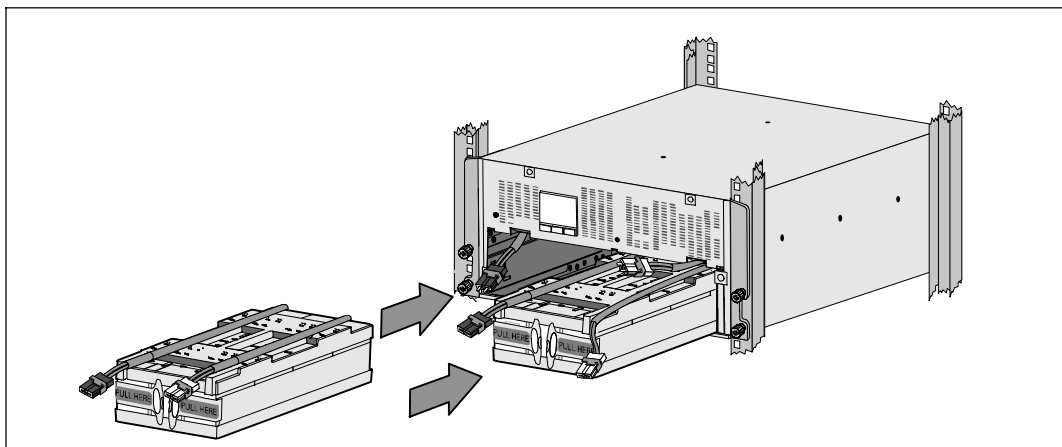
安裝和固定機箱



! 小心：取下電池的機箱仍然很重（46 kg/101 lb）。將機箱抬起放入機架至少需要兩個人。

- 5 將機箱滑到導軌上，然後滑至機架中。
- 6 用固定架上的四個翼形螺釘將機箱前端固定到安裝機架上。
用手順時針擰緊翼形螺釘，不要使用電動工具。

電池盤座的安裝



7 將您取出的電池盤座放在機架附近。

! 小心：由於電池較重（32 kg/71 lb）。因此建議在安裝電池時使用適當的搬抬工具。

✍ 注意：電池盤座可安裝在任意一個電池盒中。

✍ 注意：將盤座插入，警告標籤箭頭朝上。

8 安裝電池盤座：

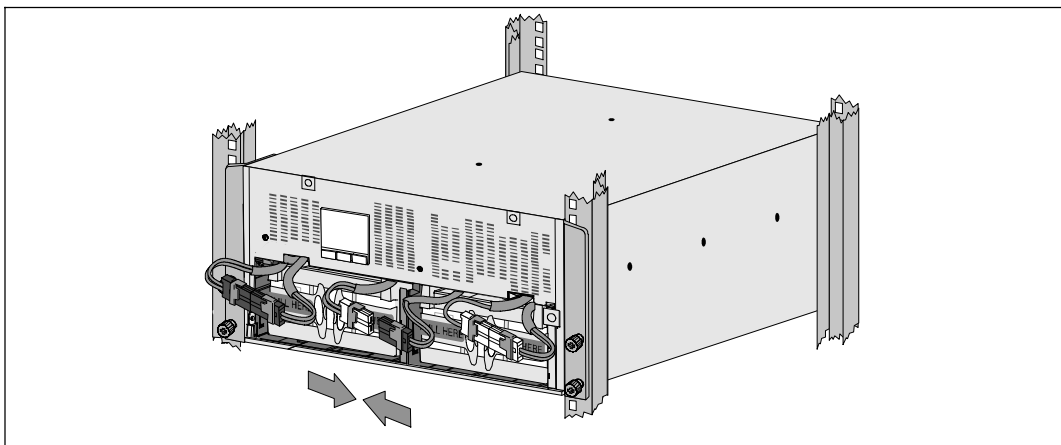
將電池盒頂部的 UPS 電池連接器取出。

將電池盤座完全滑入電池盒。

對第二個電池盤座重複以上步驟。

9 將環形突起卡入到每個電池盤座正面上的塑料套中，以將這些環形突起移開，給下一步安裝騰出空間。

電池接頭的連接



10 連接內部電池連接器：

將最左端的盤座接頭連接到固定的 UPS 連接器。將最右端的盤座接頭連接到固定的 UPS 連接器。



注意： 連接電池時可能會出現少量電弧。

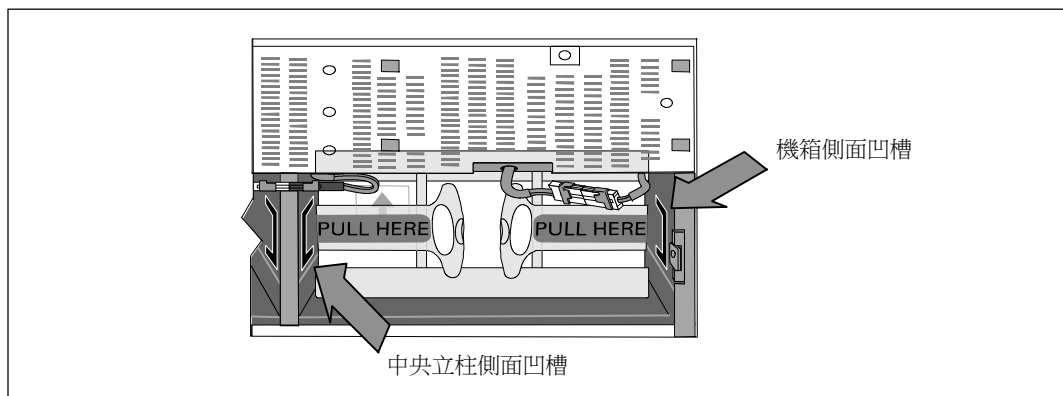
這是正常現象，不會損壞本設備或導致任何安全上的擔憂。

找到並連接中央立柱任一側的電池跳線。將接頭放在中央立柱頂部處的小擱架上。



注意： 連接好中央電池跳線後，以串聯的方式將兩個電池盤座連接在一起。

電池固定支架的更換



注意： 電池固定支架上帶有左右側標記 **L** (左) 和 **R** (右)，透過此種方式標示出了安裝時它們必須位於的位置。

11 更換左側 (**L** 標記) 和右側 (**R** 標記) 電池固定支架：

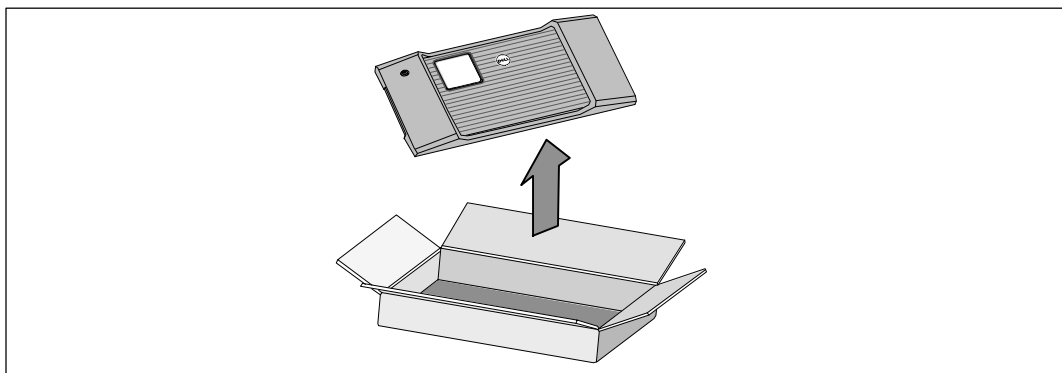
對於第一個電池固定支架，將支架突起插入中央立柱側面的凹槽中。
將連接好的電池接線緊貼在固定支架後面。

將電池固定支架的末端與機箱側面的凹槽對齊。 推動支架直到牢固位於側面凹槽中。

順時針旋轉翼形螺釘，以將支架固定。

更換第二個電池固定支架可重複以上步驟。

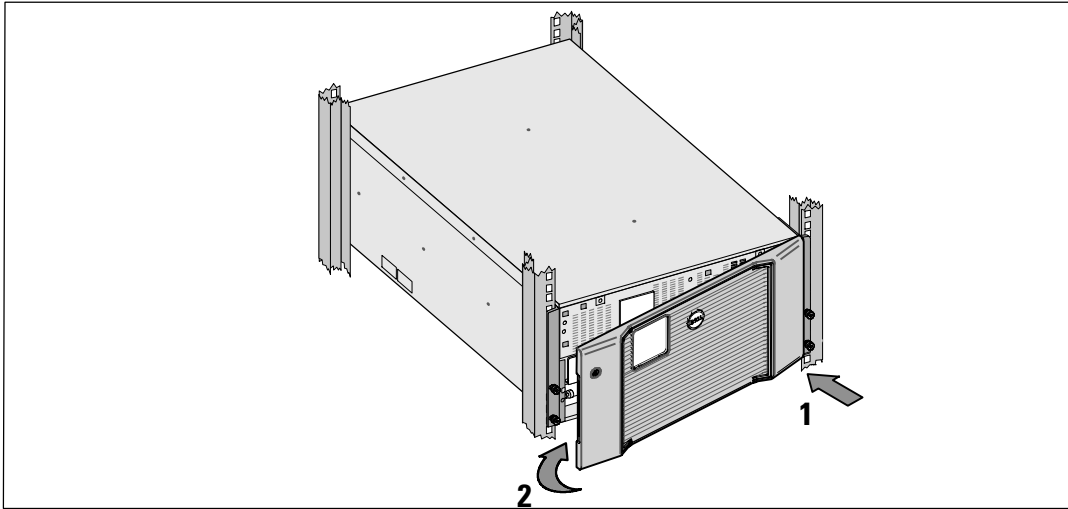
安裝 UPS 前蓋



12 將前部罩蓋從附件盒中取出。



注意： 在安裝 UPS 之前不要將軟件 CD 光盤、通訊纜線以及（如果需要）REPO 連接器從附件盒中取出。



13 安裝 UPS 前蓋：

將前部罩蓋與機箱正面對正。

將前罩蓋右側突起插入右側機箱的突起開口。

將罩蓋的左側向前推，將其卡在機箱上。



注意： 將罩蓋固定到機箱上之前，確保 UPS 機箱上的 LCD 顯示屏與前部罩蓋上的 LCD 顯示屏窗框對正。



14 以負責任的態度將包裝丟棄或回收利用，或者收起存放以備將來使用。

連接設備

要安裝 UPS，請在以下情況下執行以下步驟：

- ❶ 如果您要使用 Dell MUMC and Dell ULNM 軟件，請按以下任一方法建立通訊連接：
 - 使用 Dell Network Management Card（如果有安裝）
 - 使用所提供的線纜將您的計算機與 USB 端口連接
- ✍ **注意：** 更多關於通訊選項的信息，見 *Dell 在線機架式 UPS 10 kW 使用者指南*。
- ❷ 如果機架帶有接地或連接不接地金屬塊的導體，請將接地線（未提供）與接地螺釘連接。參見第 184 頁的「UPS 後面板」了解這三種型號接地螺釘的位置。
- ❸ 如果地方法規要求使用應急電源關閉（斷開）開關，請參見 *Dell 在線機架式 UPS 10 kW 使用者指南* 中的「安裝遠程應急電源關閉」。
- ❹ 如果安裝可選 EBM，請參考 *Dell 在線機架式 EBM 10 kW 系統使用 入門指南* 了解安裝說明。
- ⚠ **小心：** 如果 UPS 在無 EBM 的情況下儲存或使用，作為一項安全措施，必須在 UPS 的後面板上安裝電池連接器護蓋。
- ❺ 將需要保護的設備插入到 UPS 輸出插座中，不要啟動受保護設備的電源。
- ❻ 做好所有必要的準備措施，以固定電源線並消除應變的固定和應變釋放。
- ✍ **注意：** 驗證設備的總額定值不超過 UPS 的容量，以防止出現過載警報。

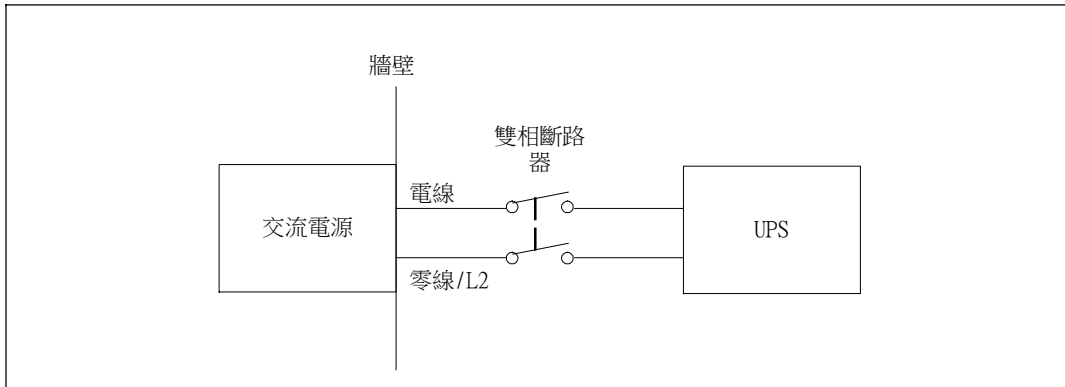
UPS 輸入端的硬連線



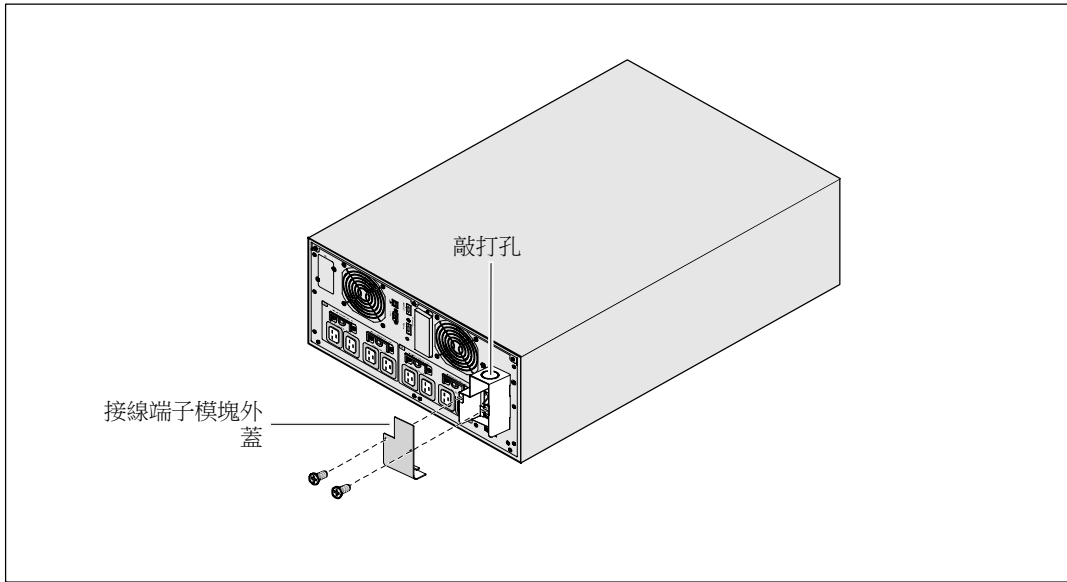
警告：觸電的危險。 電氣安裝工作只能由合格的檢修人員（例如持照電工）實施。

Dell Rack 對於硬連線機型，還需連接滿足以下要求的專用分支電路：

- 保護設備要求在 UPS 輸出和主電源之間有兩相斷開設備
- 斷路器必須安裝在牆壁上，並且便於操作人員進行接觸
- **歐洲。** 斷路器必須符合 IEC/EN 60934 標準，且接觸空隙至少為 3 mm
- 200 - 240 Vac
- 單相
- 50/60 Hz
- 金屬軟管（推薦使用，以方便檢修和維護保養）



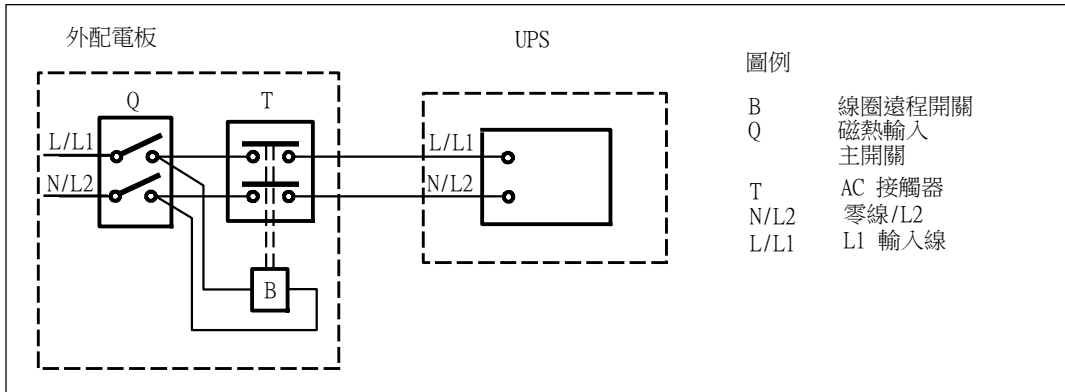
取下接線端子模塊外蓋



- ❶ 在連接 UPS 的分線點處關閉市電電源。絕對確保未通電。
- ❷ 取下接線端子模塊外蓋（2 個螺釘），並保存。
- ❸ 取下接線端子模塊外蓋上用於輸導管的敲打孔。此孔其孔徑必須能容納 1" 或 1.5"（25.4 mm 或 38.1 mm）的中間金屬導管（IMC）。



小心：如果 UPS 沒有針對電流反饋的自動保護設備，請安裝外部絕緣設備。
設備安裝後，必須在外部交流接觸器上貼附一個寫有以下語句或類似內容的警告標籤：
危險， 電壓 倒供。 在對此電路操作前將 UPS 隔離，然後檢查所有端子之間是否存在危險電壓。



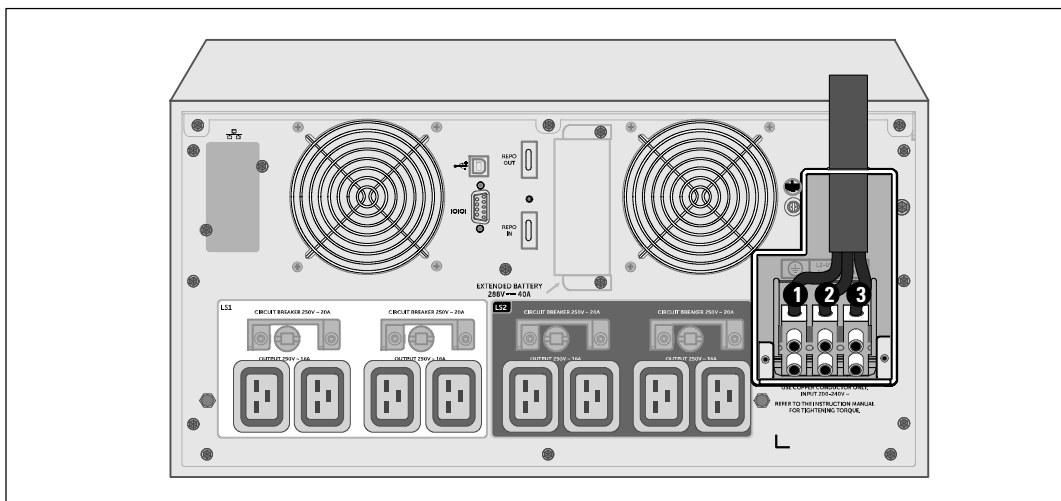
下表列出可用作外部隔離設備以進行反向饋電保護的反向饋電保護設備（AC 接觸器）。
僅使用表中列出的 AC 接觸器。

制造商	類型	額定值
ABB France (E12527)	A75-30	220 - 240 Vac, 105A 25 HP 208V, 30HP 240V
天水二一三電器有限公司 (E203071) (替代)	GSC1(CJX4-d)-6511	220 - 240 Vac, 68A 25 HP
天水二一三電器有限公司 (E203071) (替代)	GSC1(CJX4-d)-8011	220 - 240 Vac, 80A 30 HP



注意： 儘管本 UPS 中不含有防反向饋電 (ABF) 繼電器，但仍然提供有一定程度的反向饋電保護。
例如，如果在電池供電模式下某些組件被損壞，輸出電壓可能會反向供給輸入端。
在這種情況下，就使用變流器 (CT) 檢測旁路電流反向饋電電壓。
如果檢測到存在有電流反向饋電故障狀態，則 UPS 會終止逆變器的輸出，避免對人員造成人身傷害。

安裝輸入線和接地線



- 4 將輸入接線穿過導管，留 2 英尺（0.5 米）長的線露出。將金屬軟接頭連接到導管的一端。
- 5 將導管插入配線進口，將導管接頭連接到面板上。從每根進線的末端剝下 0.5"（1.5 厘米）的絕緣層。
- 6 按照下表的 UPS 配線規格將輸入和地線連接到接線端子模塊。

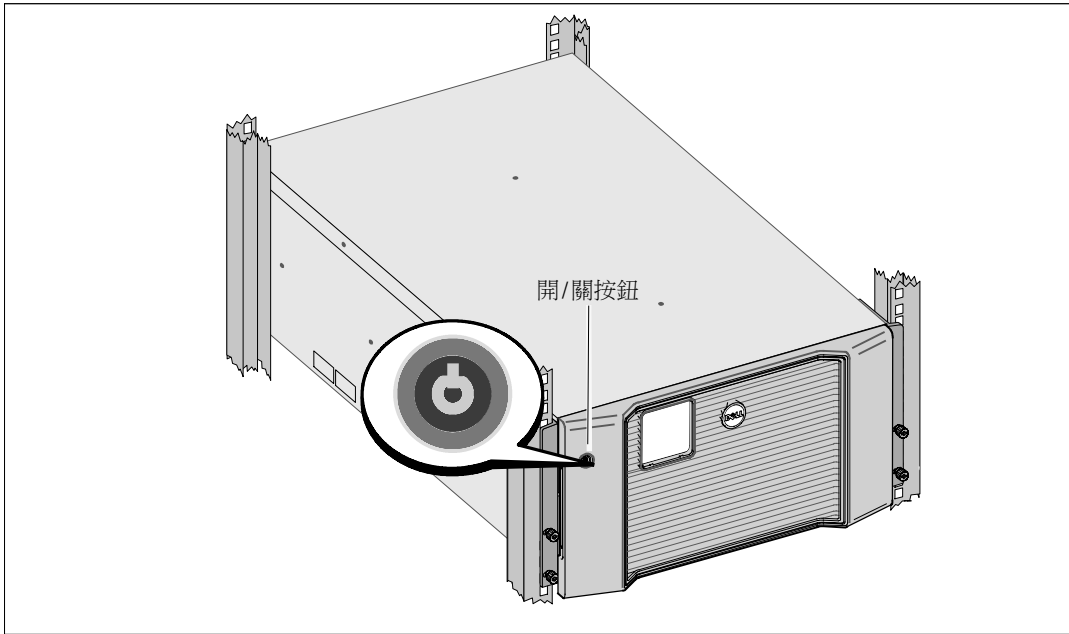
接線功能	接線端子的位置	UPS 接線的功能	端子線的尺寸 和額定值*	緊固力矩
輸入	1	將輸入端接地	16 - 35 mm ² (8 - 2 AWG)	1.7 Nm (15 lb-in)
	2	L2/零線接入		
	3	L1 接入		

* 採用的接線的最低規格：

- 8對於設備接地線，最低採用 8 AWG、75°C 的銅線
- 4對於輸入線和零線，最低採用 4 AWG、75°C 的銅線


- 7 更換接線端子模塊的外蓋。

啟動 UPS



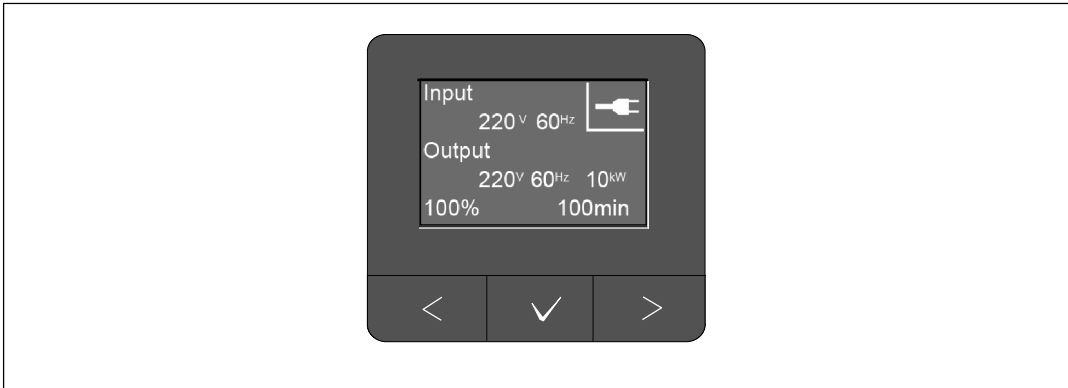
要啟動 UPS，請執行以下步驟：

- 1 確保內部電池已連好。
- 2 如果安裝了可選的 EBM，確認 EBM 已與 UPS 連接。更多信息，請參閱 *De11 在線機架式 EBM 10 kW 系統使用 入門指南*。
- 3 確保所有負荷段斷路器都處於開啟位置。
- 4 開啟主市電電源斷路器。

UPS 的 LCD 顯示屏亮起。De11 開機屏幕變為 UPS 狀態匯總屏幕。UPS 前面板顯示屏上顯示出正在閃爍的「待機」圖標 。


- 5 按下 UPS 前面板上的開/關按鈕。

啟動完成後，狀態根據 UPS 工作模式改變。



- 6 在 UPS 狀態匯總屏幕上，按下 > 按鈕，查看活動警報或注意。
解除所有已激活的警報後再繼續。參見 *De11 在線機架式 UPS 10 kW 使用者指南* 中的「故障處理」。

如果沒有活動警報，會出現「無報警」信息。

- 7 確認「正常」(Normal)  圖標顯示在 UPS 狀態匯總屏幕上，這表明 UPS 運轉正常，任何負載都有電力供給。

- 8 以下信息，請參閱 *De11 在線機架式 UPS 10 kW 使用者指南*。


- 有關安裝可選擴展電池模塊 (EBM) 後的配置程序
- 設定日期和時間，變更其他出廠默認設定


- 9 如果您安裝了可選的 REPO，則請測試 REPO 功能：


開啟外部 REPO 開關。檢查 UPS 顯示屏上是否有狀態變化。


將外部 REPO 開關置於關狀態，重啟 UPS。

- 10 對電池進行充電。

 **注意：** 內置電池在不到 3 小時內可充至 90% 的電量。但是，電池在安裝或長期存放後必須充電 48 小時。

 **小心：** 為避免 UPS 過載情況，請一次連接一個設備，並確保每個保護的設備完全啟動後再連接下一個設備。

 **注意：** De11 建議設定日期和時間用於故障排除或保修。

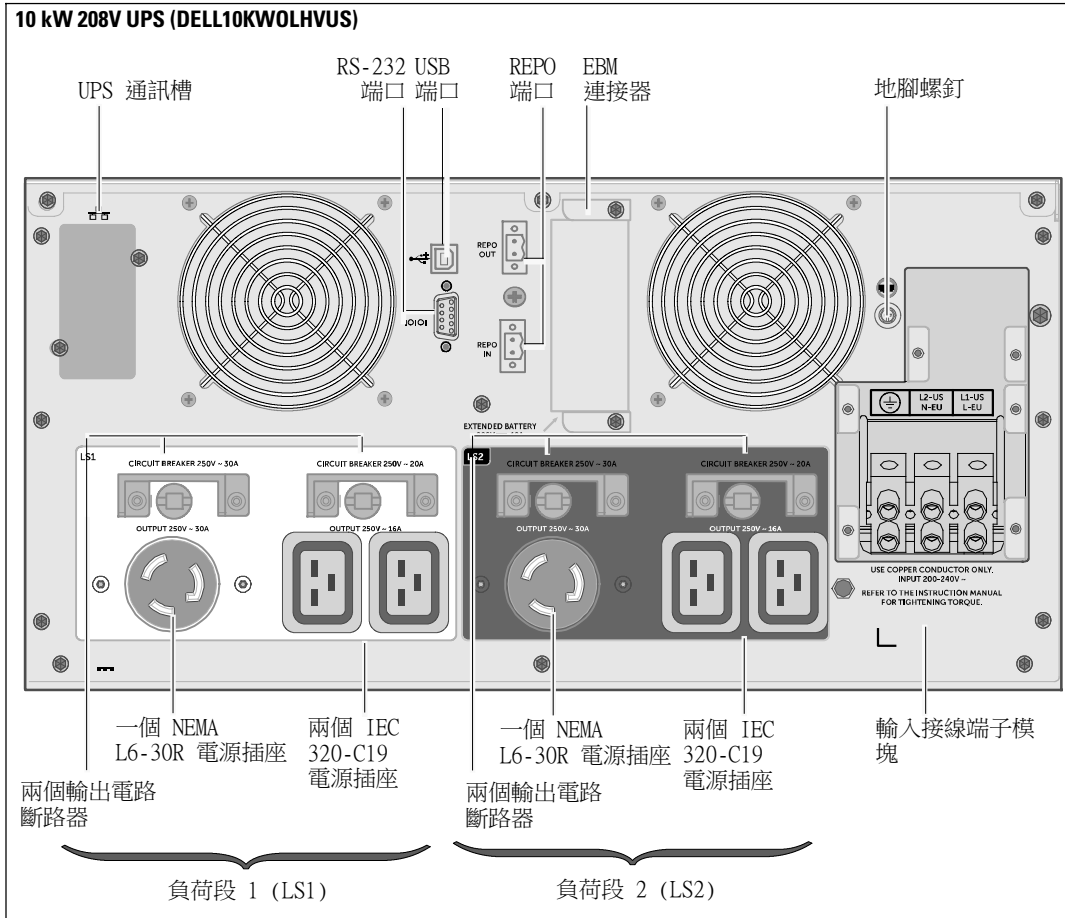
 **注意：** 初始啟動時，UPS 根據輸入接線的頻率（默認情況下輸入頻率自動偵測功能會開啟）設定系統頻率。初始啟動之後，自動感測功能會被禁用，直至您透過設定輸出頻率手動重新開啟。



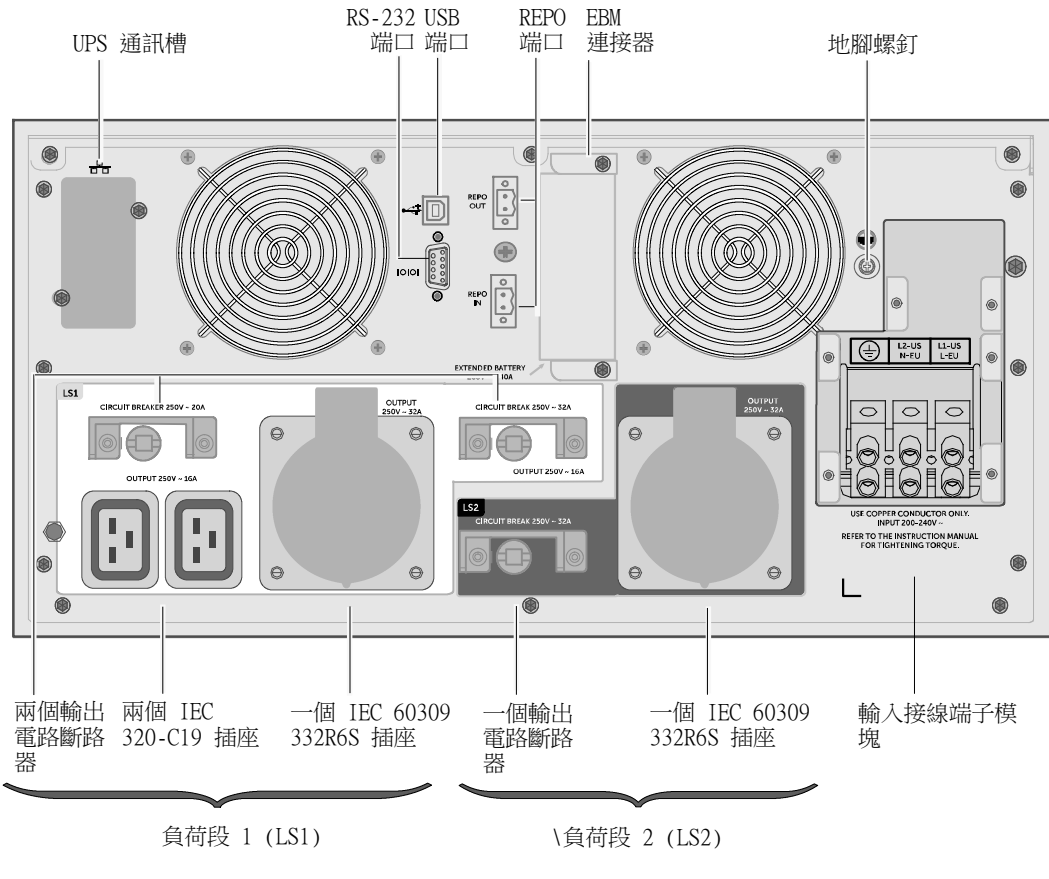
注意： 初始啟動時，默認將輸入輸入電壓自動偵測功能開啟。
以後啟動之後，自動感測功能會被禁用，直至您透過設定輸出電壓手動重新開啟。

識別 UPS 後面板

本節介紹三個 Dell Rack 10 kW UPS 型號的後面板。



10 kW 230V UPS (DELL10KWOLHV)



兩個輸出
電路斷路
器

兩個 IEC
320-C19 插座

一個 IEC 60309
332R6S 插座

一個輸出
電路斷路
器

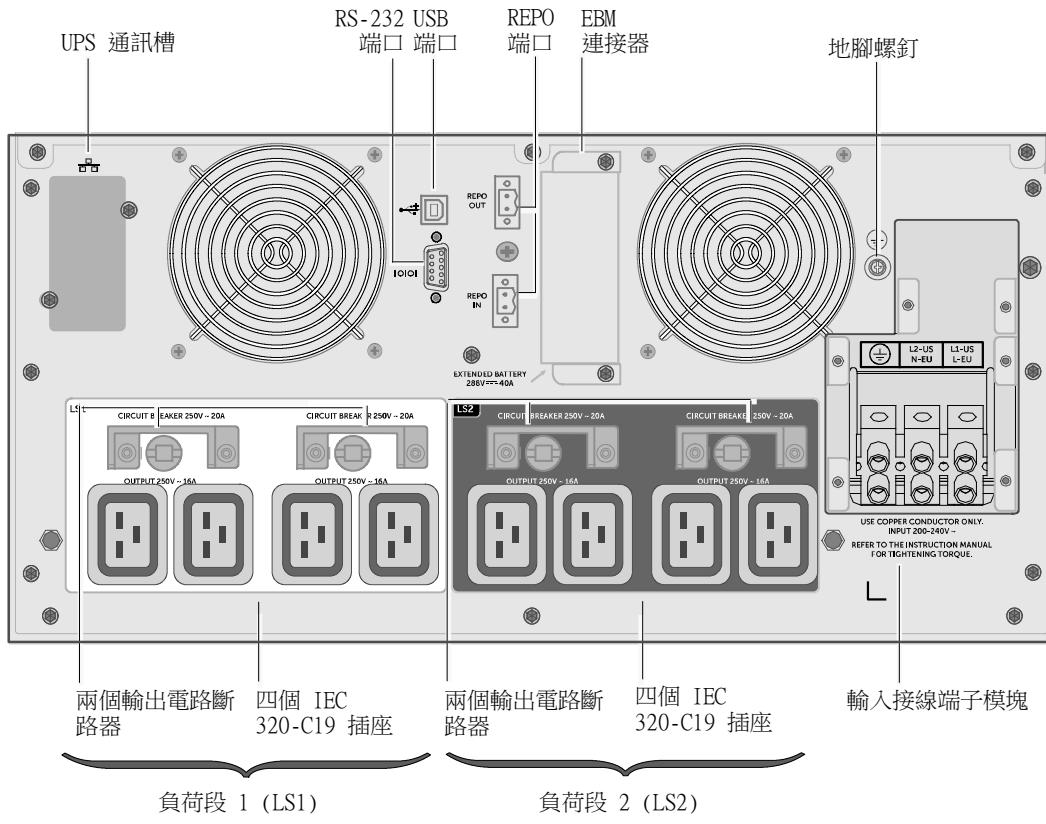
一個 IEC 60309
332R6S 插座

輸入接線端子模
塊

負荷段 1 (LS1)

負荷段 2 (LS2)

10 kW 230V UPS (DELL10KWOLHVB)







Dell™ 온라인 랙 UPS 10 kW


사용자의 시스템 시작하기

DELL10KWOLHVUS, DELL10KWOLHV, DELL10KWOLHVB
DELL10KWEBM



참고 및 경고

-  **참고:** "참고"는 소프트웨어를 더 잘 활용하는 데 도움이 되는 중요한 정보를 나타냅니다.
-  **위험:** "위험"은 피하지 않을 경우 사망이나 중상을 야기할 수 있는 급박한 위험 상황을 나타냅니다.
-  **경고:** "경고"는 피하지 않을 경우 사망이나 상해를 야기할 수 있는 잠재적 위험 상황을 나타냅니다.
-  **주의:** "주의"는 피하지 않을 경우 경미하거나 보통의 상해 또는 재산 손실 사고를 야기할 수 있는 잠재적 위험 상황을 나타냅니다.

-  **위험:** 피하지 않을 경우 사망이나 중상의 결과를 초래할 수 있는 급박한 위험 상황을 방지하는 데 도움이 될 다음 지침을 준수하십시오:
 - UPS에는 사망을 초래할 수 있는 전압이 있습니다. 모든 수리와 정비는 공인된 정비 요원만이 수행해야 합니다. UPS 또는 EBM 내부에는 사용자가 정비할 수 있는 부품이 없습니다

이 문서에 포함된 정보는 고지 없이 변경될 수 있습니다.

© 2012 Dell Inc. All right reserved.

Dell Inc.의 서면 허가 없이는 어떤 방식의 복제도 엄격히 금지됩니다.

이 문서에 사용된 상표: *Dell* 과 *DELL* 로고는 Dell Inc.의 상표입니다.

ENERGY STAR 이름은 미국 환경 보호청이 소유하고 있는 등록 상표입니다.

다른 상표 및 명칭 또는 관련 제품에 대한 권리를 주장하는 당사자를 지칭하기 위해 다른 상표와 상호가 사용될 수 있습니다.

Dell Inc.는 소유하지 않은 상표 및 상호에 대한 재산적 이해관계를 부인합니다.

2012년 12월

시스템 특징


탁월한 성능과 신뢰도를 제공하는 본 UPS는 다음과 같은 특유의 장점을 지닙니다:

- 순수 사인과 출력을 갖춘 온라인 UPS 설계.
- 고전력, 상용 전원 주파수 독립성, 제너레이터 호환성을 갖춘 진정한 온라인 이중-변환 기술
- 전압 변동을 교정하여 사용자의 부하에 대해 조정 전압을 보장하는 승강압형 전압 조정.
- UPS가 유입 AC전원을 필터링 및 조절하고 배터리를 고갈시키지 않으면서 장비에 안정적인 전원을 공급.
- 선택 가능한 고효율 작동 모드
- 5U UPS 높이
- 상용 전력을 이용할 수 없는 경우에도 UPS에 전력을 공급하는 스타트온 배터리(start-on-battery) 이용 기능.
- UPS를 끄지 않고도 배터리를 안전하게 교체할 수 있을 만큼 간단한 유지보수.
- 앞면 패널 LCD 디스플레이에서 Dell 서비스 태그 정보를 읽을 수 있음.
- Extended Battery Module (EBM) 옵션이 있는 확장 런타임.
- 원격 긴급 전원차단(REPO) 포트를 통한 긴급 중단 제어.
- 표준 통신 포트 2개(USB 및 RS-232 시리얼 포트).
- 전원 보호 및 제어 능력을 향상하기 위한 강화된 통신 기능을 갖춘 Dell Network Management Card 옵션(NMC라고도 함).
- 프레임 환경의 온도 및 습도 표시 값을 수집하고 환경 데이터를 원격으로 모니터링 하는 선택 사양Environmental Monitoring Probe (EMP) 2명의 사용자가 제공하는 연결 장치 상태를 수집 및 보관 가능.
- 안정적인 중단 및 전원 감시를 위한 Dell™ Multi-UPS Management Console (MUMC) and Dell™ UPS Local Node Manager (ULNM) 웹 기반 소프트웨어 애플리케이션으로 수행되는 고급 전원 관리.
- 로드 세그먼트라고 하는 별도의 콘센트 그룹을 통한 순차적 중단 및 부하 관리.
- 서비스 요청 없이도 쉽게 업그레이드할 수 있는 펌웨어.
- 세계적인 인증기관의 각종 인증 취득.
- ENERGY STAR® 인증UPS.

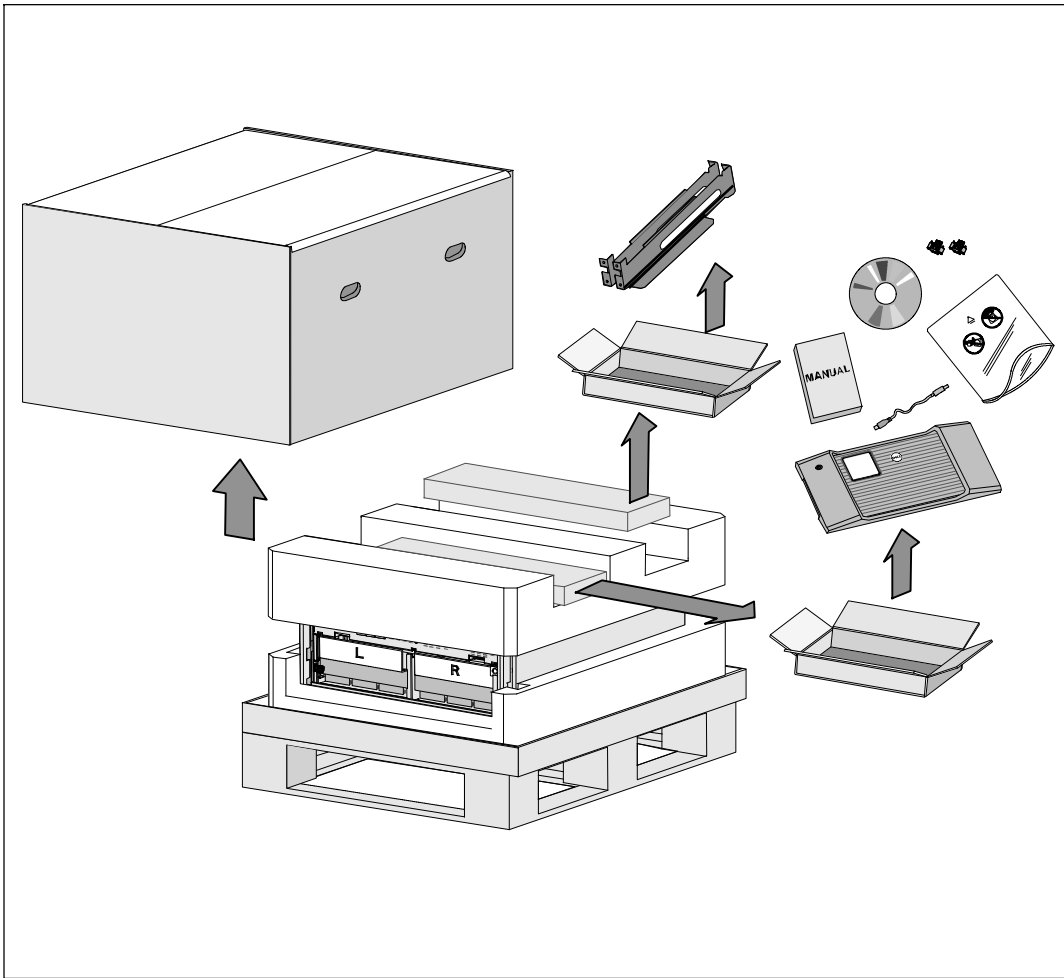


정보 찾기

⚠ 주의: 안전, 환경, 규제 정보 문서는 중요한 안전 및 규제정보를 제공합니다.

찾고자 하는 항목	자료 위치
<ul style="list-style-type: none"> UPS 사용자 설명서 Dell Network Management Card용 사용자 설명서 Dell MUMC and Dell ULNM 사용자 설명서 	Dell UPS 디스크 
	<p>참고: 문서 및 소프트웨어 업데이트 정보는 www.support.dell.com www.dellups.com에서 조회할 수 있습니다.</p>
<ul style="list-style-type: none"> 사양 UPS 설정 구성 방법 장애 처리 및 문제점 해결 방법 REPO 제어 설치 방법 	Dell UPS 사용자 설명서 사용자 설명서는 Dell UPS 디스크 및 www.support.dell.com 에서 조회할 수 있습니다.
<ul style="list-style-type: none"> 안전 지시사항 규제 정보 재활용 정보 	안전, 환경, 규제 정보
<ul style="list-style-type: none"> 보증 정보 약관(미국에만 적용) 최종 사용자 라이선스 계약 	Dell 보증 및 지원 정보
<ul style="list-style-type: none"> 지원 정보 	Dell 지원 웹사이트 - www.support.dell.com 참고: 해당 지원 사이트를 보기 위해서는 해당 지역 또는 사업 부문을 선택하십시오.

설치 및 시동



- ⚠ 주의: **안전, 환경, 규제 정보** 문서의 절차를 수행하기 전에 본 문서에 있는 안전 지침 및 중요한 규제 정보를 읽고 준수하십시오.
- ⚠ 주의: 낮은 기온의 환경에서 캐비닛의 포장을 뜯으면 캐비닛 안과 위에 응결 현상이 발생할 수 있습니다. 캐비닛의 내부와 외부가 완전 건조될 때까지는 캐비닛을 설치하지 마십시오(감전 위험).
- ⚠ 주의: 배터리 설치 또는 제거는 필수 주의사항에 대한 충분한 지식을 갖춘 사람이 실시하거나 감독해야 합니다. 자격이 없는 사람이 배터리를 취급해서는 안 됩니다.
- ⚠ 주의: 캐비닛은 무겁습니다(99 kg/218 lb). 캐비닛을 들기 전에 UPS에서 배터리 트레이를 항상 빼십시오. 캐비닛을 랙 안으로 들어 올려 놓으려면 최소한 2인이 필요합니다.

⚠ 주의: 배터리가 무겁습니다(32 kg/71 lb). 배터리를 뺄 때 적절하게 들어올릴 수 있는 방법을 사용하십시오.

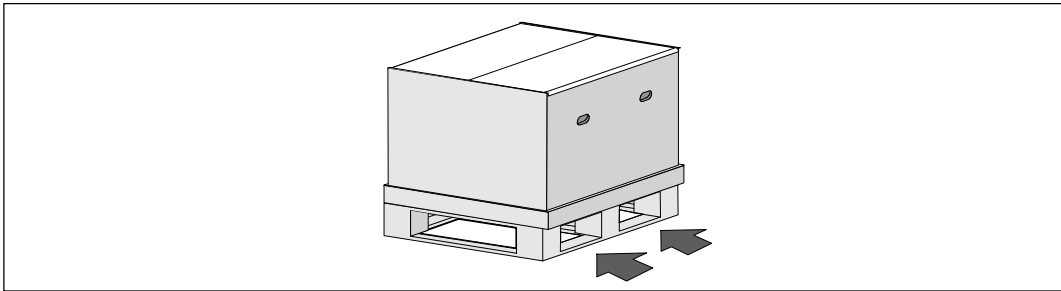
✍ 참고: 상자를 이동하고 열 때는 주의하십시오. 설치할 준비가 되기 전까지는 구성품을 포장된 채로 두십시오.

이 절은 사용자의 시스템을 처음 설치하는 절차를 설명합니다.

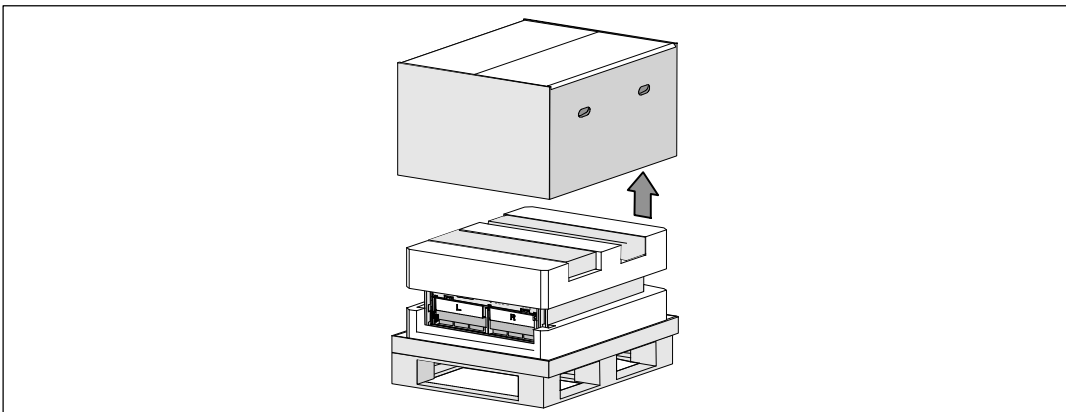
캐비닛 포장 풀기

시스템의 포장을 풀려면:

- 1 지게차 또는 팔레트 잭을 사용해 운송 상자 및 팔레트를 UPS가 설치될 랙 근처로 옮기십시오.




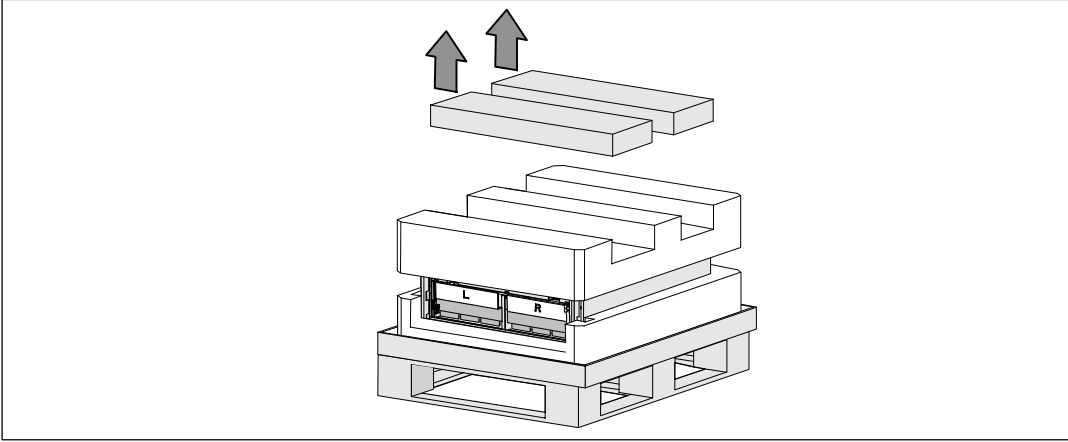
- 2 포장 상자를 풀어 제거하십시오.



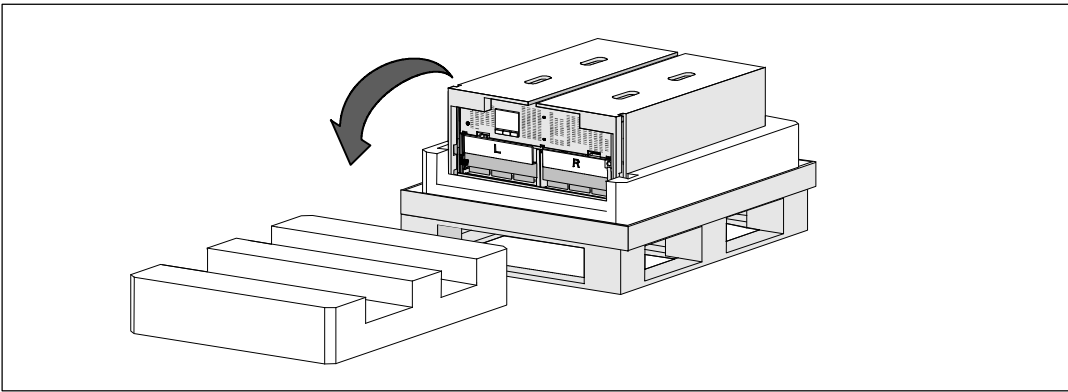
③ 위에 있는 스티로폼 부분의 통로 쪽으로 밀어 넣은 2개의 부속품 상자를 빼십시오.

④ 부속품 상자를 열고 가까운 장소의 평평하고 안정적인 곳에 놓으십시오.

 **참고:** Dell 온라인 랙 UPS 10 kW 사용자 가이드는 포장을 푸는 방법과 설치 절차에 대해 설명합니다. 참조하시려면, 부속품 상자를 다른 곳으로 두기 전에 먼저 빼 두십시오.



⑤ 위에 있는 스티로폼을 제거해 가까운 장소의 평평하고 안정적인 곳에 놓으십시오.



참고: 배터리 지지 브래킷에는 **L**(왼쪽) 및 **R** (오른쪽)이 표시가 되어 있어 설치 위치를 알려줍니다.

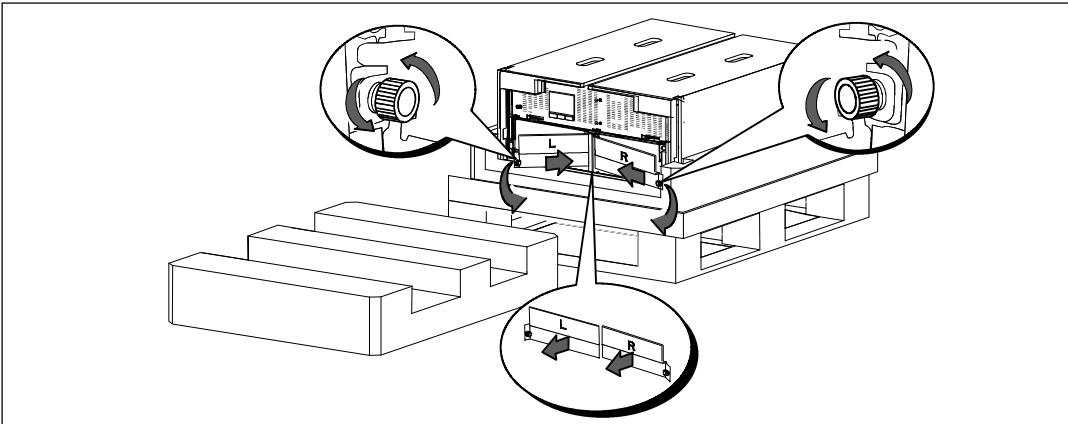
6 UPS에서 지지 브래킷을 빼십시오.

왼쪽(**L**로 표시) 지지 브래킷의 위치를 확인하십시오. 새시의 왼쪽에서 손 나사를 시계 반대 방향으로 돌려 왼쪽 지지 브래킷을 푸십시오.

브래킷을 중간 기둥 쪽으로 밀어 새시에서 빼십시오. 브래킷을 본인 쪽으로 흔든 후 브래킷을 왼쪽으로 당겨 빼십시오. 브래킷을 한 쪽에 두십시오.

오른쪽(**R**로 표시) 지지 브래킷의 위치를 확인하십시오. 새시의 오른쪽에서 손 나사를 시계 반대 방향으로 돌려 오른쪽 지지 브래킷을 푸십시오.

브래킷을 중간 기둥 쪽으로 밀어 새시에서 빼십시오. 브래킷을 본인 쪽으로 흔든 후 브래킷을 오른쪽으로 당겨 빼십시오. 브래킷을 한 쪽에 두십시오.



7 배터리 커넥터가 모두 분리되어 있는지 확인하십시오.

! 주의: 배터리가 무겁습니다(32 kg/71 lb). 배터리를 뺄 때 적절하게 들어올릴 수 있는 방법을 사용하십시오.

8 UPS에서 배터리 트레이를 다음과 같이 분리하십시오.

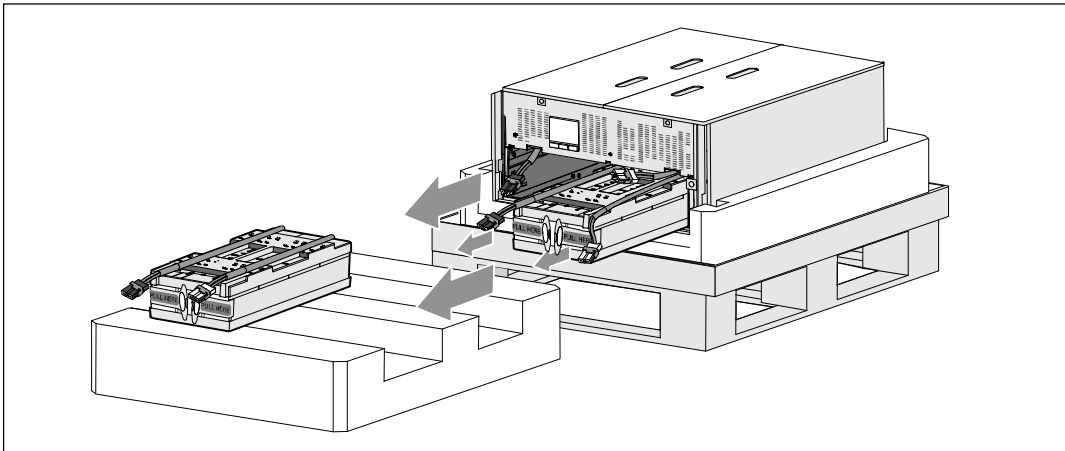
배터리 칸의 위쪽에서 연결이 해제된 UPS 배터리 커넥터를 방해가 되지 않는 곳으로 옮기십시오.

배터리 트레이의 앞면에 있는 플라스틱 고리 식별표를 잡으십시오. 트레이를 본인 쪽으로 잡아 당겨 빼십시오.

! 참고: 고리 식별표에서 주황색의 **잡아 당기십시오** 라벨이 있는 곳을 잡으십시오.

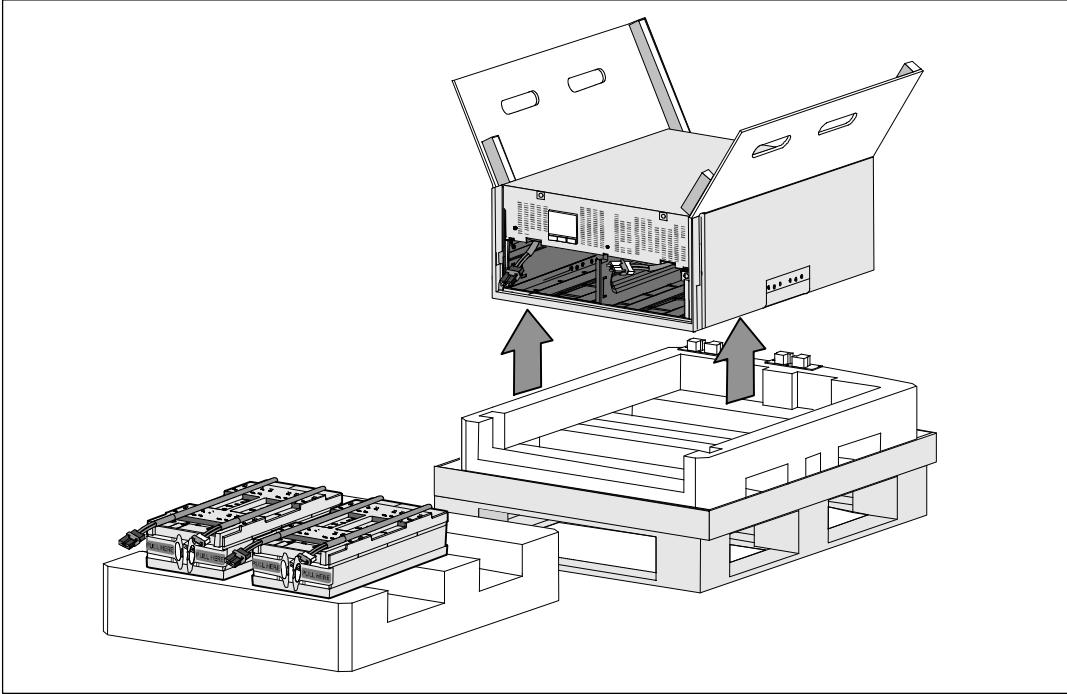
UPS 상부에서 빼낸 스티로폼에 있는 배터리 트레이를 놓으십시오.

두 번째 배터리에 대해 이 단계를 반복합니다.



! 주의: 배터리를 빼낸 캐비닛은 무겁습니다(46 kg/101 lb). 캐비닛을 운송 상자에서 들어 올려 놓으려면 최소한 2인이 필요합니다.

9 양 편에 한 사람씩 자리한 후, 판지의 손잡이를 사용해 캐비닛에서 스티로폼을 조심스럽게 들어 올리십시오.



10 설치하고자 하는 랙과 가까운 안전한 공간의 평평하고 안정적인 바닥에 캐비닛을 놓으십시오.

참고: 환기가 잘 되고, 습기, 인화성 가스, 및 부식물이 없는 보호된 공간인지 여부를 확인하십시오.

랙마운트 설치



주의: 캐비닛은 무겁습니다(99 kg/218 lb). 항상 UPS에서 배터리 트레이를 뺀 후에 캐비닛을 들어 올리고 랙의 레일 면에 UPS를 설치하십시오. 캐비닛을 랙 안으로 들어 올려 놓으려면 최소한 2인이 필요합니다.



주의: 배터리 설치 또는 제거는 배터리와 그 주의사항에 대해서 잘 아는 사람이 수행하거나 감독해야 합니다. 자격이 없는 사람이 배터리를 취급해서는 안됩니다.



주의: 배터리가 무겁습니다(32 kg/71 lb). 배터리를 뺄 때 적절하게 들어올릴 수 있는 방법을 사용하십시오.



주의: EBM 옵션을 설치하는 경우, UPS 및 EBM 사이에 U 공간이 없도록 EBM은 UPS 아랫면에 놓아야 합니다. 이렇게 하면 랙에 무게를 골고루 분산시킬 수 있어 UPS 제어 패널에 더 쉽게 접근하고 배터리 케이블 연결을 더욱 쉽게 라우팅할 수 있습니다. 또한 EBM 코드 및 UPS 연결 사이의 응력을 차단하고 연결 실패 가능성을 방지합니다.



경고: 랙 장착 시스템 관련: 랙에서 여러 가지 시스템을 설치 하는 경우, 현재 시스템과 관련한 절차를 모두 완료한 후에 다음 절차를 실시하십시오.



참고: 개별 캐비닛 별로 탑재 레일이 필요합니다.



참고: 캐비닛은 앞면 커버 홈이 없는 채로 운송됩니다.



참고: 사각 구멍 랙과 나사산 없는 원형 구멍 랙에 대한 설치 지침은 동일합니다. 본 레일은 두 종류의 랙에 모두 맞습니다.

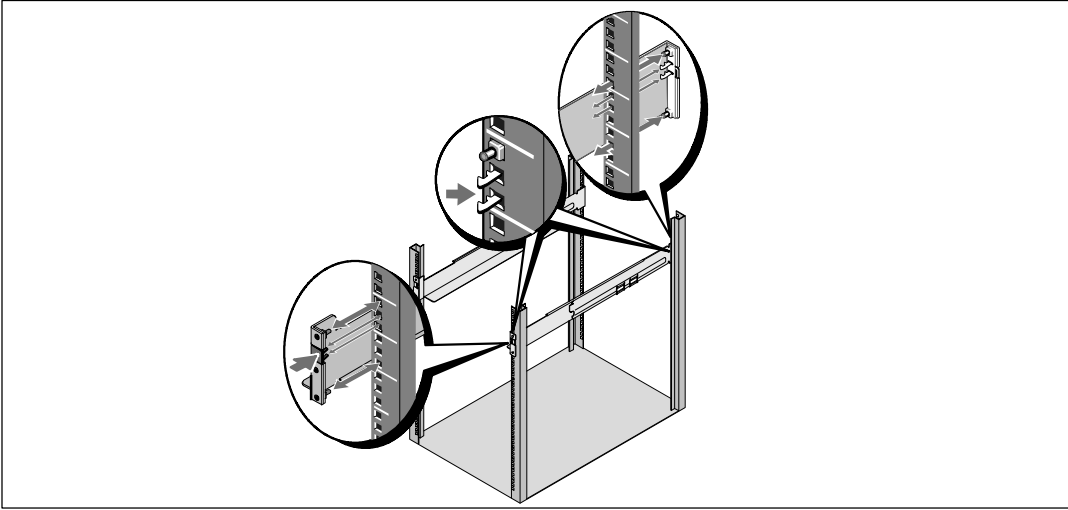
랙에 UPS를 설치하려면:



UPS를 설치하고자 하는 랙과 가까운 장소의 편평하고 안정적인 바닥에 다음이 있는지 확인하십시오.

- 캐비닛
- UPS 부속품 상자 2개
- 배터리 트레이 2개(UPS만 해당)
- 배터리 지지 브래킷 2개(UPS만 해당)

레일 설치하기



- 2 레일 키트 부속품 상자에서 레일을 빼십시오.
- 3 캐비닛을 랙의 원하는 위치에 설치할 수 있도록 레일에서 적당한 구멍을 선택하십시오.
UPS용으로 할당된 5U 공간 하단에서 레일을 놓으십시오.

⚠ 주의: EBM 옵션을 설치하는 경우, UPS 및 EBM 사이에 U 공간이 없도록 EBM은 UPS 아랫면에 직접 놓을 수 있도록 준비하십시오.

✎ 참고: 우측 앞면(RIGHT FRONT) 및 좌측 앞면(LEFT FRONT)의 레일에 붙어있는 라벨 내용을 따르십시오. 라벨은 레일이 설치되어야 하는 방향을 표시합니다.

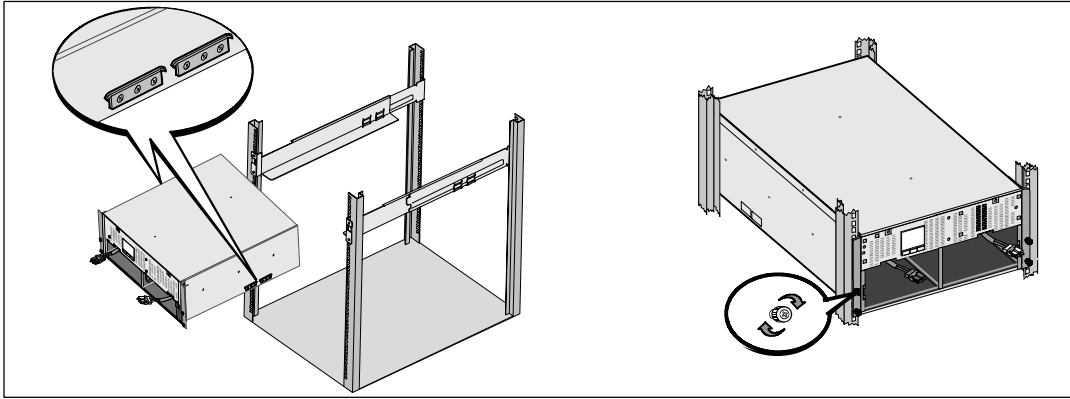
- 4 표시된 방향으로 왼쪽 및 오른쪽 레일을 놓으십시오. 왼쪽 및 오른쪽 레일을 랙에 부착하십시오.

레일 후단이 수직 랙 플랜지(rack flange)에 완전히 안착되고 고리 걸쇠(hook latch)가 제자리에 잠겨지도록 맞춥니다.

랙의 앞면을 바로 지나도록 레일을 잡아당기십시오.

레일 전단이 수직 랙 플랜지에 완전히 자리잡고 고리 걸쇠가 제자리에 잠겨지도록 밀니다.

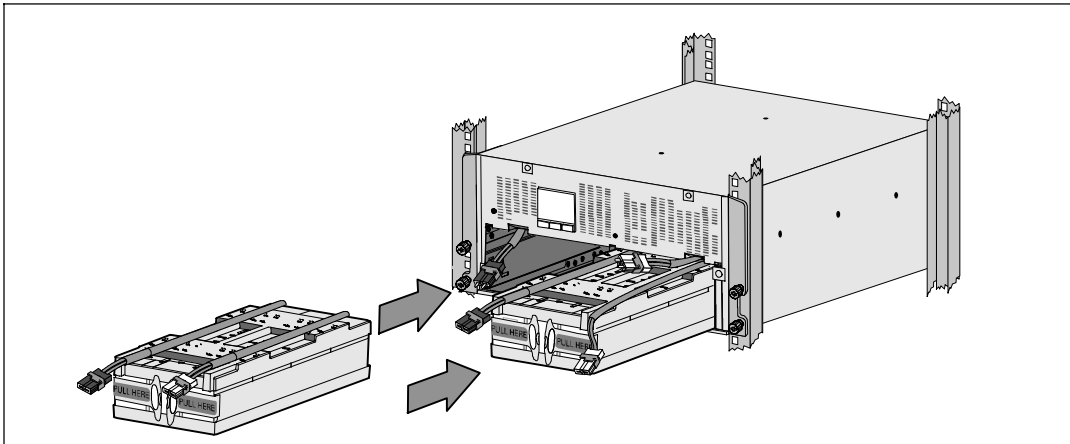
캐비닛 설치 및 고정하기



! 주의: 배터리를 빼낸 캐비닛은 무겁습니다(46 kg/101 lb). 캐비닛을 랙 안으로 들어 올려 놓으려면 최소한 2인이 필요합니다.

- 5 캐비닛을 레일 쪽으로 밀어 랙 안쪽으로 미십시오.
- 6 장착 브래킷에 있는 손 나사 4개를 이용하여 캐비닛 앞면을 랙에 고정시킵니다. 손으로 손 나사를 조이고, 전기 공구는 사용하지 마십시오.

배터리 트레이 설치하기



- 7 랙 주변에 배터리 트레이를 놓으십시오.

⚠ 주의: 배터리가 무겁습니다(32 kg/71 lb). 배터리를 설치할 때 적절하게 들어올릴 수 있는 방법을 사용하십시오.

✍ 참고: 배터리 트레이는 배터리 칸의 한 쪽에 설치할 수 있습니다.

✍ 참고: 트레이의 주의 라벨 화살표가 위쪽을 향하도록 넣으십시오.

8 배터리 트레이 설치하기:

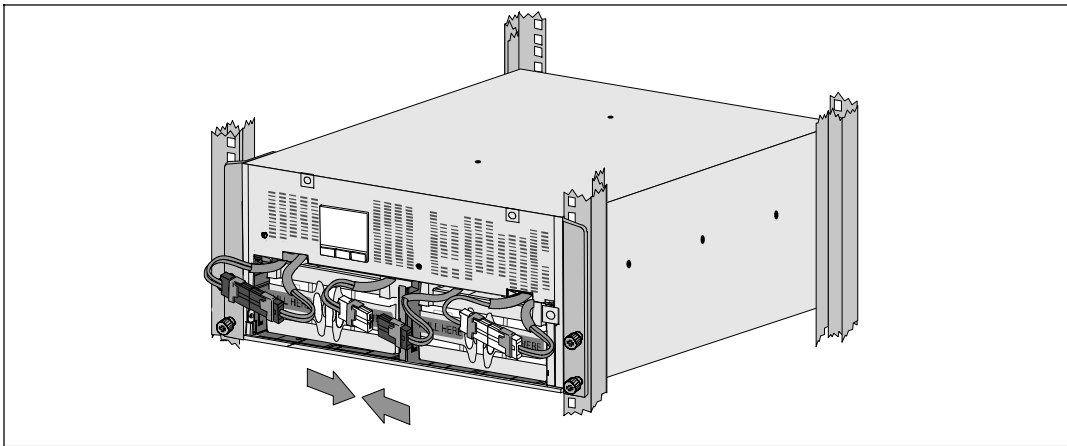
배터리 칸의 위쪽에서 UPS 배터리 커넥터를 방해가 되지 않는 곳으로 옮기십시오.

배터리 트레이를 배터리 칸으로 완벽하게 밀어 넣으십시오.

두 번째 배터리를 설치하려면 위 단계를 반복하십시오.

9 고리 식별표를 배터리 트레이 앞면의 플라스틱 보호관으로 밀어 넣어 방해가 되지 않도록 하십시오.

내장 배터리 커넥터 연결하기



10 내장 배터리 커넥터를 연결합니다.

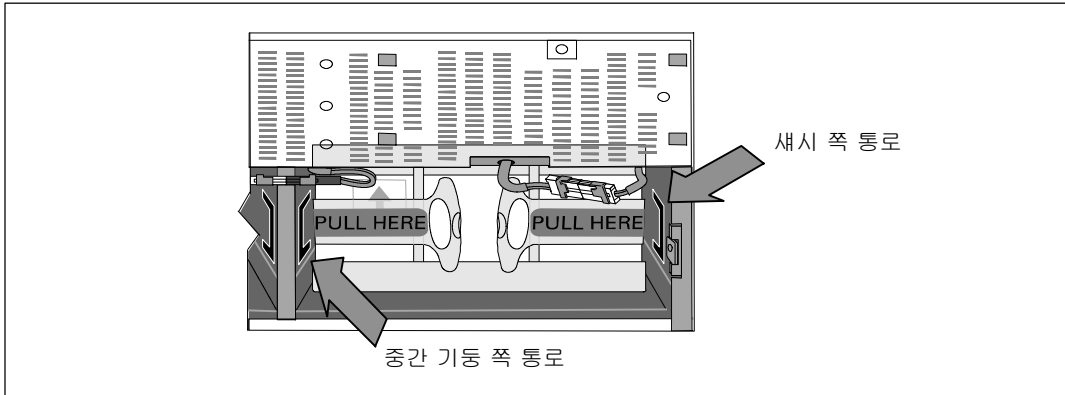
제일 왼쪽에 있는 배터리 트레이 커넥터를 고정 UPS 커넥터에 연결하십시오. 제일 오른쪽에 있는 배터리 트레이 커넥터를 고정 UPS 커넥터에 연결하십시오.

✍ 참고: 배터리를 연결할 때 소량의 아크(arc)가 발생할 수 있습니다. 이런 현상은 정상적이며 기기에 손상을 주거나 안전상의 문제를 나타내는 것은 아닙니다.

중간 기둥의 한 쪽에 있는 배터리 점퍼를 놓고 연결하십시오. 중간 기둥의 위쪽에 있는 작은 선반에 커넥터를 놓으십시오.

✍ 참고: 중간 배터리 점퍼를 연결하면 2 가지의 배터리 트레이를 연속적으로 연결하게 됩니다.

배터리 지지 브래킷 제거하기



참고: 배터리 지지 브래킷에는 **L**(왼쪽) 및 **R**(오른쪽)이 표시가 되어 있어 설치 위치를 알려줍니다.

11 왼쪽(L) 및 오른쪽(R) 배터리 지지 브래킷을 교체하십시오.

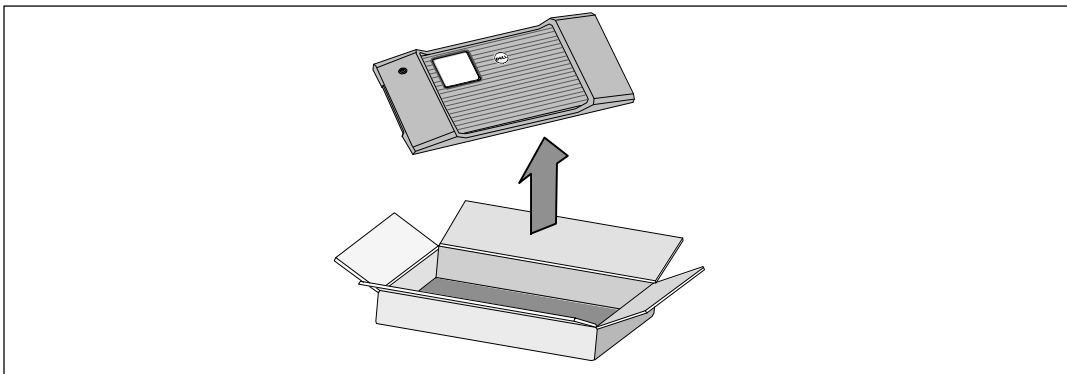
첫 번째 배터리 지지 브래킷에서 브래킷 식별표를 중앙 기둥의 한 쪽 면의 통로로 삽입하십시오. 연결된 배터리 케이블을 지지 브래킷 뒤쪽으로 안전하게 놓으십시오.

배터리 지지 브래킷의 끝 쪽은 새시의 통로 쪽과 맞추십시오. 브래킷은 한 쪽 면의 통로에 단단히 고정될 때 까지 밀어 넣으십시오.

손 나사를 시계 방향으로 돌려 브래킷을 고정하십시오.

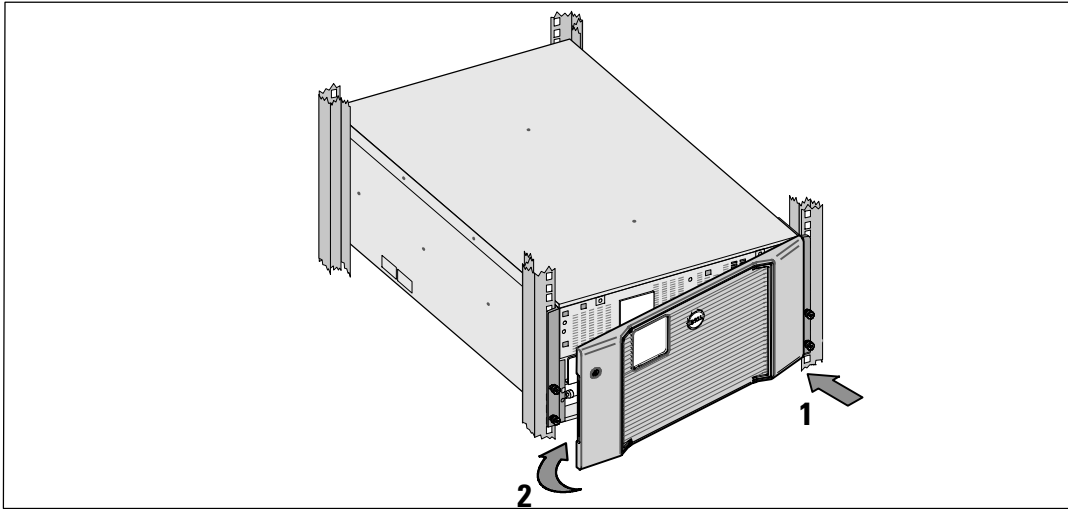
위 절차를 반복해 두 번째 배터리 지지 브래킷을 교체하십시오.

UPS 앞면 커버 설치하기



12 부속품 상자에서 앞면 커버를 빼십시오.

참고: UPS를 설치할 때 까지 소프트웨어 CD, 통신 케이블 및 필요한 경우 REPO 커넥터를 부속품 상자에 보관하십시오.



13 UPS 앞면 커버를 설치하십시오.

새시 앞면과 앞면 커버를 맞추십시오.

앞면 커버의 오른쪽 식별표를 오른쪽 새시의 식별표 개구부 쪽으로 삽입하십시오.

커버 왼쪽을 앞쪽으로 밀어 넣고 새시에 맞추십시오.

참고: LCD 새시의 LCD 패널이 전면 커버의 LCD 창과 맞는지 확인한 후 새시의 커버를 고정하십시오.


14 적절하게 포장물을 폐기하거나 재활용하고, 또는 추후 사용을 위해 보관해 두십시오.

장비에 연결하기

UPS를 설치하려면:

① Dell MUMC and Dell ULNM 소프트웨어를 사용하고자 하는 계획이 있다면, 다음과 같은 방식을 사용해 통신 체계를 구축하십시오.


- Dell Network Management Card 사용하기(설치된 경우)
- 공급된 케이블을 사용해 USB 포트에 컴퓨터 연결하기

 **참고:** 통신 옵션에 대한 추가 정보는 *Dell 온라인 랙 UPS 10 kW 사용자 가이드*를 참조하십시오.

② 접지되지 않은 금속 부품을 접지하거나 결속하는 도체가 랙에 있다면, 접지 케이블(비 제공품)을 접지 결속 나사에 연결하십시오. 세 가지의 모델 별로 제공된 접지 나사의 위치에 대해서는 210페이지의 "UPS 뒷면 패널"을 참조하십시오.


③ 현지 규정에 따라 긴급 전원차단(연결해제) 스위치가 필요하다면, *Dell 온라인 랙 UPS 10 kW 사용자 가이드*의 "원격 긴급 전원차단 설치"를 참조하십시오.

④ EBM 옵션을 설치하는 경우, 설치 안내는 Dell 온라인 랙 EBM 10 kW 시작하기 가이드를 참조하십시오.

 **주의:** EBM 없이 UPS를 보관하거나 사용할 경우, UPS 뒤쪽 패널의 배터리 커넥터 커버를 안전 주의 사항에 따라 설치해야 합니다.

⑤ 보호할 장비를 UPS 출력 콘센트에 꽂되 켜지는 마십시오.

⑥ 코드 갈무리 및 케이블 응력 완화를 위해 필요한 장치를 갖추십시오.

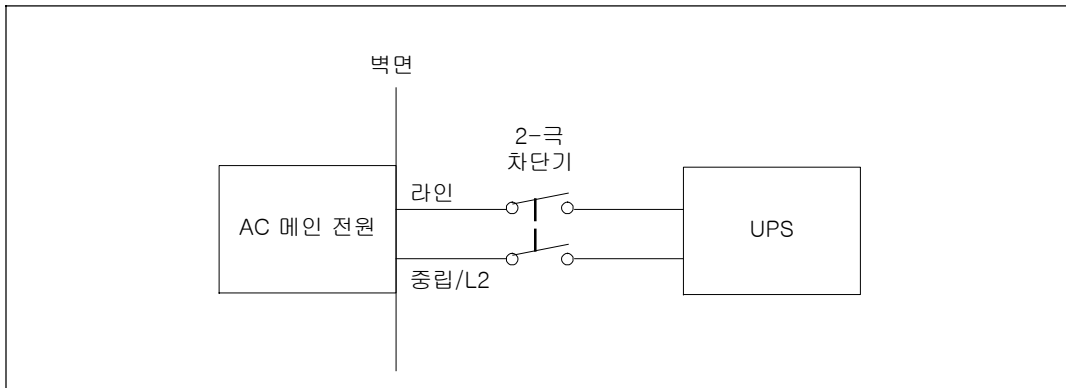
 **참고:** 과부하 경보를 방지하려면 장비의 전체 정격 사양이 UPS 용량을 초과하지 않도록 확인합니다.

UPS 입력장치 직접 배선하기(hardwiring)

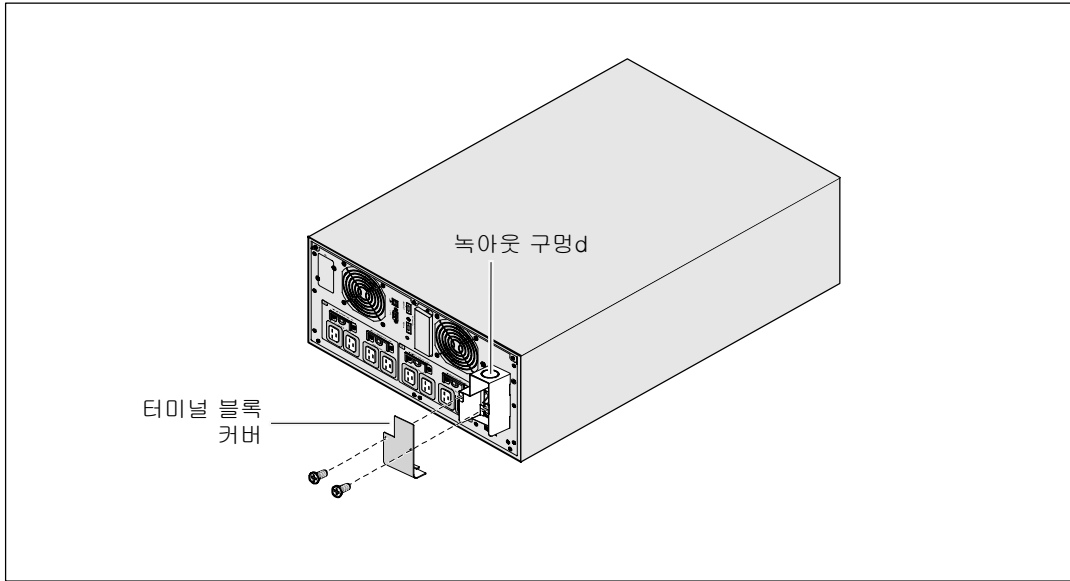
⚠ 경고: 감전 위험. 공식 서비스 요원(면허가 있는 전기기사 등)만이 전기 설치를 할 수 있습니다.

Dell 온라인 랙 직접 배선(hardwired) 모델에는 아래의 요건을 충족시키는 전용 분기회로(branch circuit)가 필요합니다:

- 보호장치에는 UPS 입력과 메인 사이에 2-극 차단장치가 필요함.
- 차단기는 벽에 설치하되 작업자가 쉽게 접근 가능해야 함
- **유럽용** 브래킷은 IEC/EN 60934 표준을 충족하고 3mm 이상의 공극을 확보해야 함
- 200-240 Vac
- 단상
- 50/60 Hz
- 유연한 금속 전선관(원활한 정비 및 유지관리를 위해 권장함)

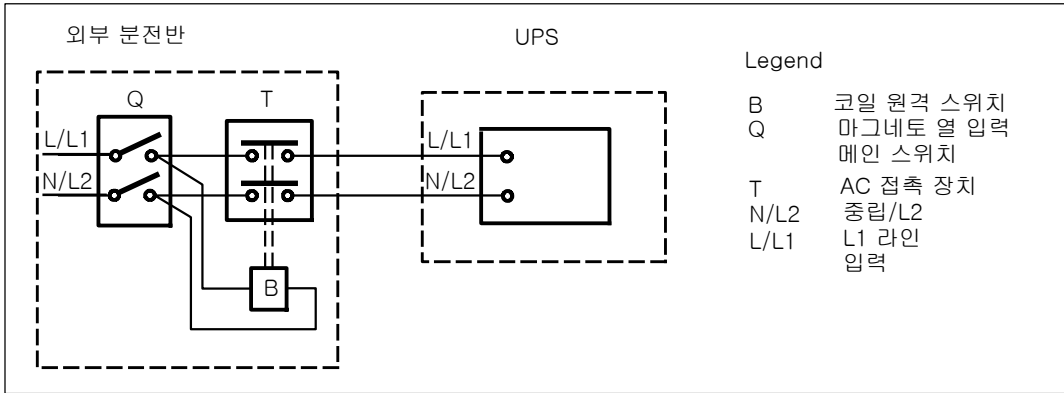


터미널 블록 커버 분리하기



- 1 UPS(무정전전원) 연결 분배지점에서 상용 전원의 스위치를 끕니다. 절대 전원이 공급되어서는 안됩니다.
- 2 터미널 블록 커버를 분리합니다(나사 2개).
- 3 녹아웃 구멍을 입력 전선관용 터미널 블록 커버에서 빼십시오. 구멍은 1" 또는 1.5" (25.4 mm or 38.1 mm) IMC(Intermediate Metal Conduit)에 맞아야 합니다.

⚠ 주의: UPS에 역류(backfeed)와 관련한 자동 보호 장치가 없다면, 외부 차단장치를 설치하십시오. 장치를 설치한 후 외부 AC 접촉장치(contactor)에 아래와 같은 문구의 경고표시를 붙여야 합니다. 전압 역류(backfeed) 위험성 본 회로에서 작동하기 전에 UPS를 분리시키고 나서 모든 단자에 위험한 전압이 있는지 확인하십시오.

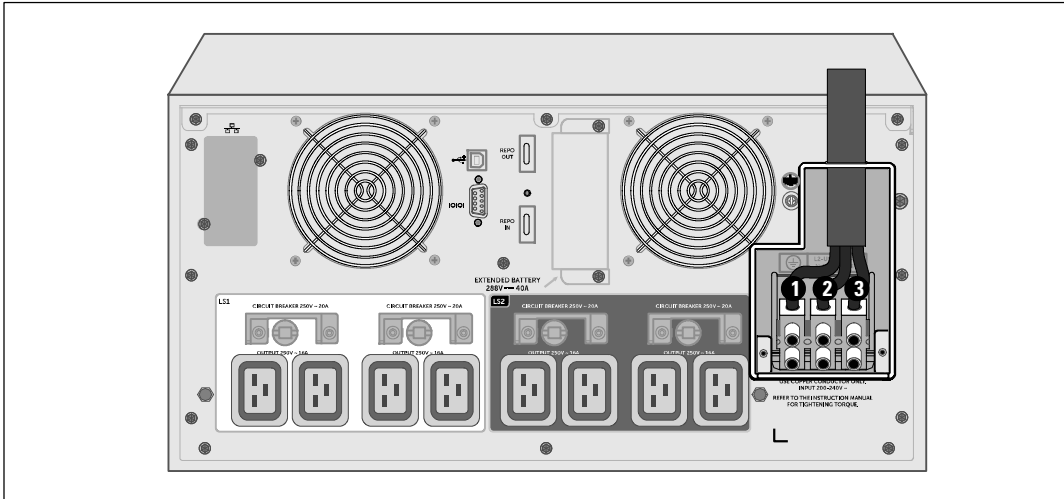


다음 표는 역류(backfeed)를 차단하는 외부 차단 장치로 사용할 수 있는 역류(backfeed) 방지 장치(AC 접촉장치)의 목록입니다. 테이블에 나열된 AC 접촉 장치만을 사용하십시오.

제조사	유형	정격
ABB France(E12527)	A75-30	220~240VAC 105A 25 HP at 208V, 30HP at 240V
Tianshui 213 Electrical Apparatus Co., Ltd. (E203071) (대체)	GSC1(CJX4-d)-6511	220~240VAC 68A 25 HP
Tianshui 213 Electrical Apparatus Co., Ltd. (E203071) (대체)	GSC1(CJX4-d)-8011	220~240VAC 80A 30 HP

참고: UPS에 역류 방지(ABF) 계전기는 없지만 일부 역류 방지 시스템이 제공됩니다. 예를 들어, 배터리 모드에서 일부 구성 요소가 손상된 경우, 출력 전압이 입력 전압으로 역류할 수 있습니다. 이러한 경우에, 변류기(CT)를 사용해 우회되고 있는 전류 피드백 전압을 탐지합니다. 전류 역류(backfeed) 오류 상황이 탐지되면 UPS가 인버터 출력을 종료해 신체적 상해를 방지합니다.

입력 배선 및 접지선 설치하기



- 4 60.96 cm (0.5m) 정도의 노출선만 남기고 전선관을 통해 입력 전선을 잡아당깁니다. 전선관의 끝에 연성 금속 장치를 부착합니다.
- 5 배선 접근 엔트리를 통해 전선관을 삽입하고 해당 패널에 전선관 장치를 부착합니다. 각 도입선 끝의 절연체를 0.5"(1.5 cm) 벗깁니다.
- 6 다음 표의 UPS 배선 사양에 따라 입력 및 접지선을 터미널 블록에 연결하십시오.

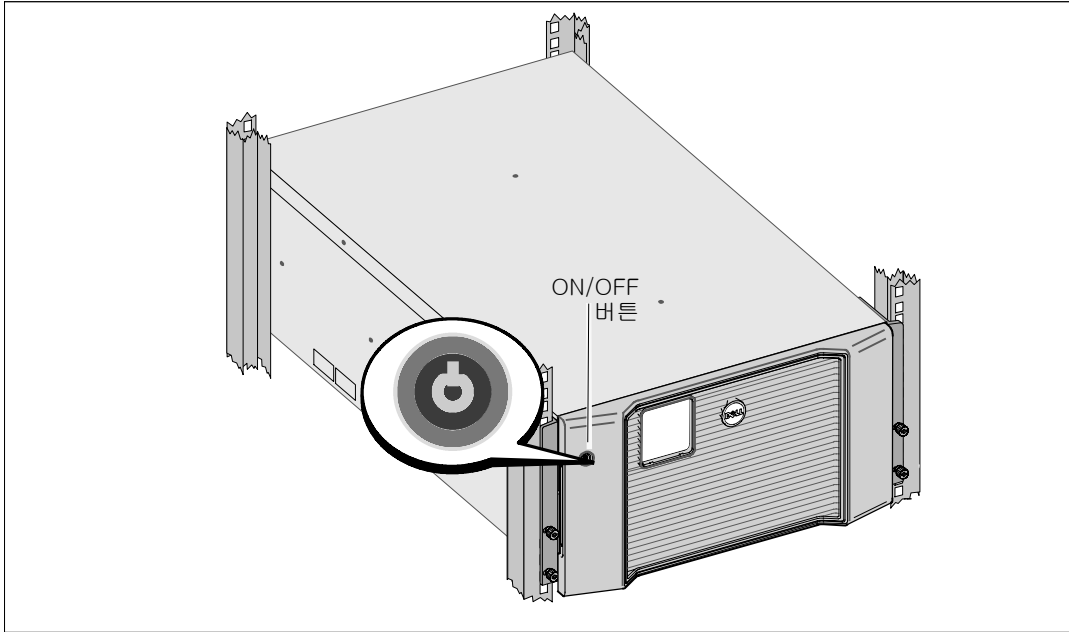
배선기능	터미널 포지션	UPS 전선 기능	터미널 배선 규격 등급*	토크 강화
입력	1	입력 접지	16?5 mm ² (8? AWG)	1.7 Nm (15 lb-in)
	2	L2/중립 In		
	3	L1 In		

* 최소 사용조건:

- 8 접지 장비용 AWG, 75°C 동선 최소 조건
- 4 입력라인 및 중립 와이어 용 AWG, 75° 동선 최소조건


- 7 터미널 블록 커버를 제 자리에 다시 부착합니다.

UPS 시동하기



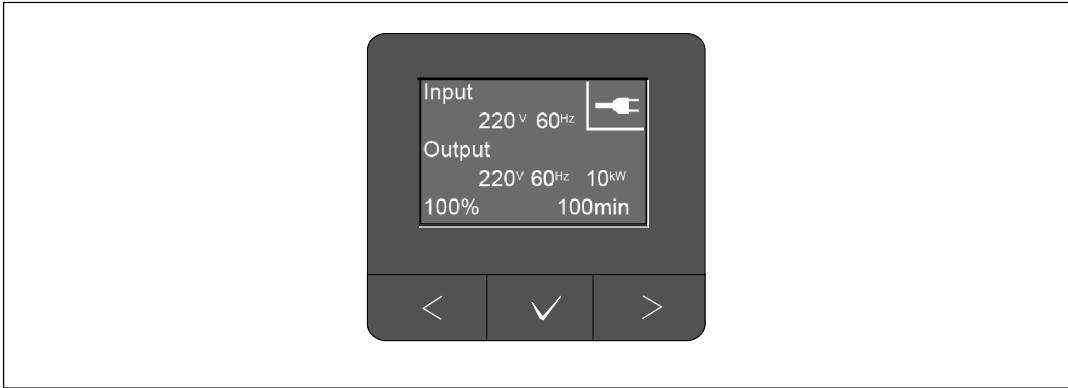
UPS를 시동하려면:

- 1 내장 배터리가 연결되어 있는지 확인합니다.
- 2 EBM 옵션이 설치되어 있으면 UPS에 EBM이 연결되어 있는지 확인합니다. 추가 정보는 Dell 온라인 랙 EBM 10 kW 시작하기 가이드를 참조하십시오.
- 3 로드 세그먼트 회로 차단기가 모두 ON 위치에 있는지 확인합니다.
- 4 주 상용 전원 차단기를 켭니다.

UPS LCD 패널의 표시장치가 켜집니다. Dell 시작 화면이 UPS 상태 요약 화면으로 바뀝니다. UPS 앞면 패널 표시장치에 점멸하는 대기 아이콘 이 나타납니다.


- 5 UPS 앞면 패널의 On/Off 버튼을 누르십시오.

시동이 완료된 후 상태는 UPS 작동 모드에 따라 변경됩니다.



- ⑥ UPS 상태 요약 화면에서, 활성 경보나 통지를 확인하려면 > 버튼을 누릅니다. 후속 작업을 계속하기 전에 활성 경보를 처리합니다. *Dell 온라인 랙 UPS 10 kW 사용자 가이드*의 "장애 처리"를 참조하십시오.

활성 경보가 없을 경우, "활성 경보 없음" 메시지가 나타납니다.

- ⑦ 정상 아이콘 이 UPS 상태 요약 화면에 나타나 UPS가 정상적으로 작동하고 모든 부하에 전원이 공급되고 있음을 표시하는지 확인합니다.

- ⑧ 추가 정보는 *Dell 온라인 랙 UPS 10 kW 사용자 가이드*를 참조하십시오.


- 외부 배터리 모듈 (EBM) 옵션이 설치된 경우 구성 절차
- 일자 및 시간을 설정하고 기타 공장 출하 기본 값 변경


- ⑨ 만약에 선택사양인 REPO가 설치되어 있다면 다음과 같이 REPO의 기능을 시험합니다:


외장 REPO 스위치를 켭니다. UPS 표시장치의 상태 변경을 확인합니다.


외장 REPO 스위치를 끄고 UPS를 다시 시동합니다.

- ⑩ 배터리 충전하기

 **참고:** 내장 배터리는 3시간 안에 충전 용량의 90%가 충전됩니다. 단 설치 또는 장기간 보관 이후에는 배터리를 48시간 동안 배터리를 충전해야 합니다.

 **주의:** UPS 과부하 상태를 방지하려면, 한번에 로드를 한번 연결하고 다음 로드를 연결하기 전에 보호 장치 별로 완벽하게 시동하는 지 확인하십시오.

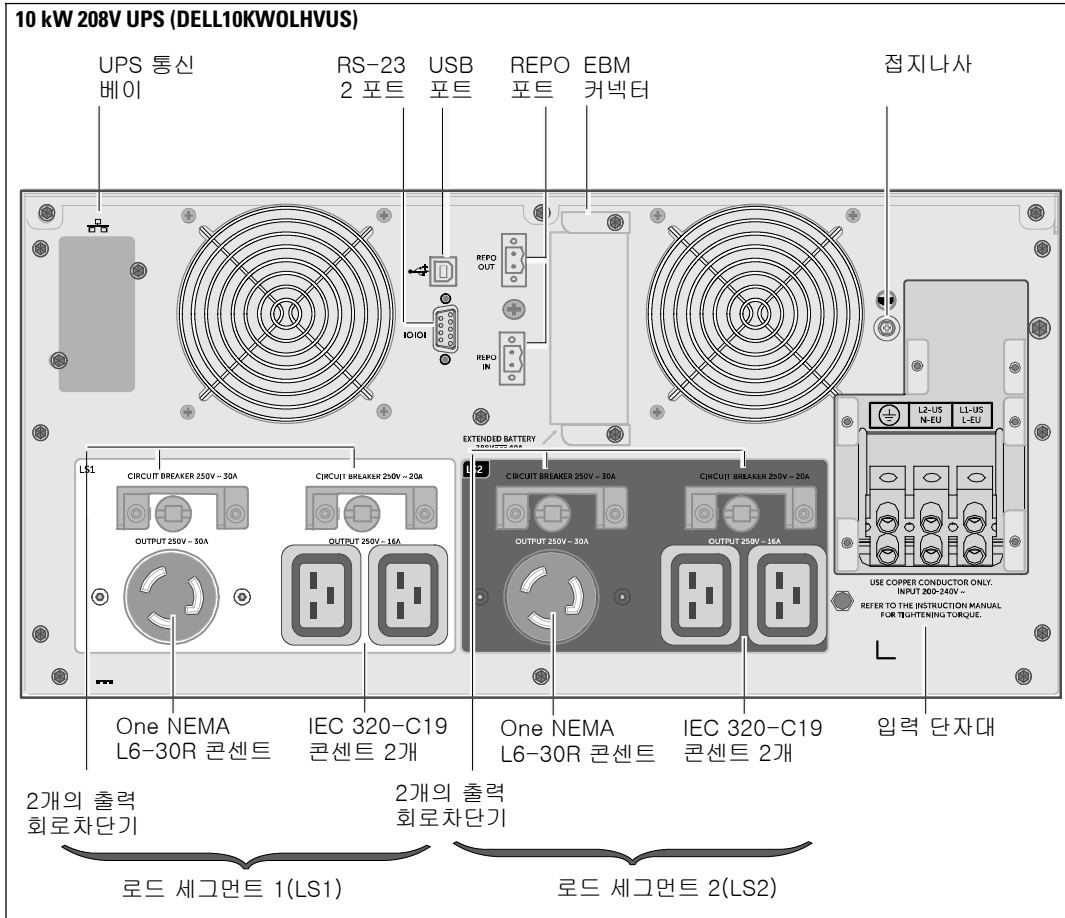
 **참고:** Dell는 문제 해결 또는 보증 목표에 맞게 일자 및 시간을 설정할 것을 권고합니다.

 **참고:** 시초 시동에서 UPS는 입력라인 주파수에 따라 시스템 주파수를 설정합니다(입력 주파수 자동감지기능은 디폴트로 활성화됩니다). 시초 시동 이후에 자동감지 기능은 출력주파수 설정을 사용해 수동으로 작동할 때 까지 활성화되지 않습니다.

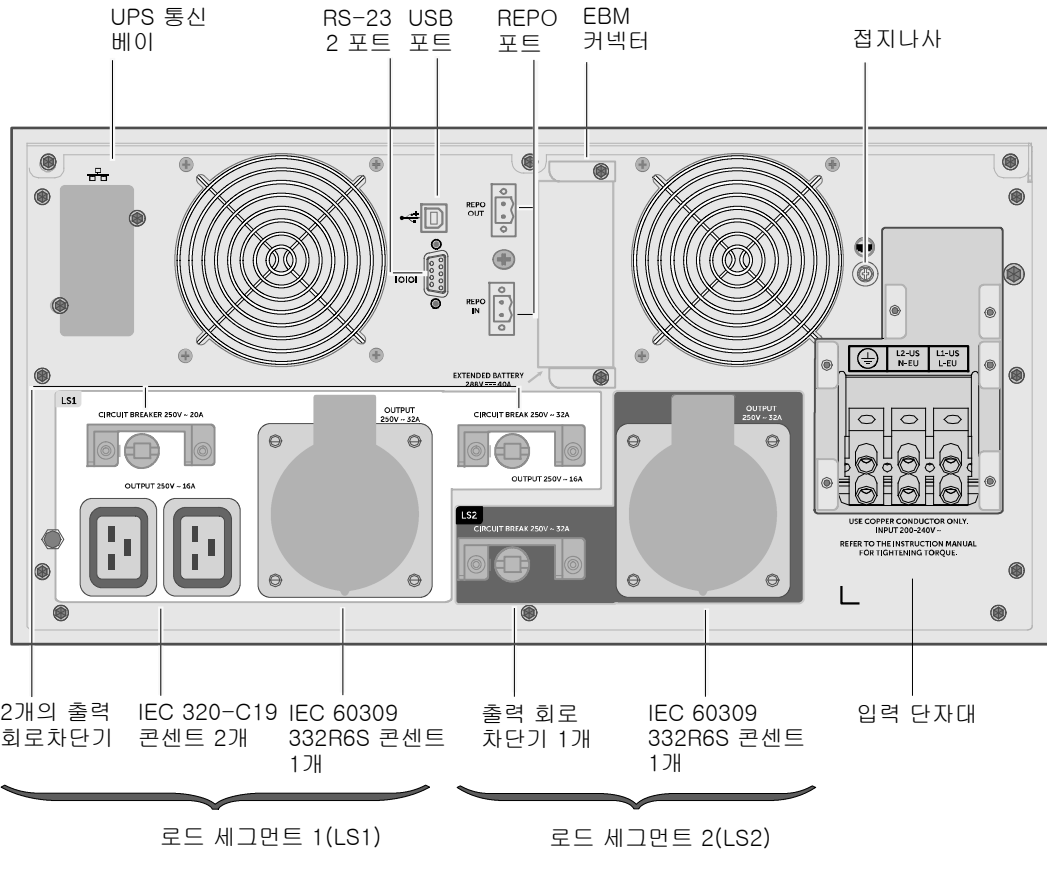
참고: 시초 시동에서 입력전압 자동감지 기능은 디폴트로 활성화됩니다. 다음 번 시동 이후에 자동감지 기능은 출력 전압 설정을 사용해 수동으로 작동할 때 까지 활성화되지 않습니다.

UPS 뒷면 패널 확인

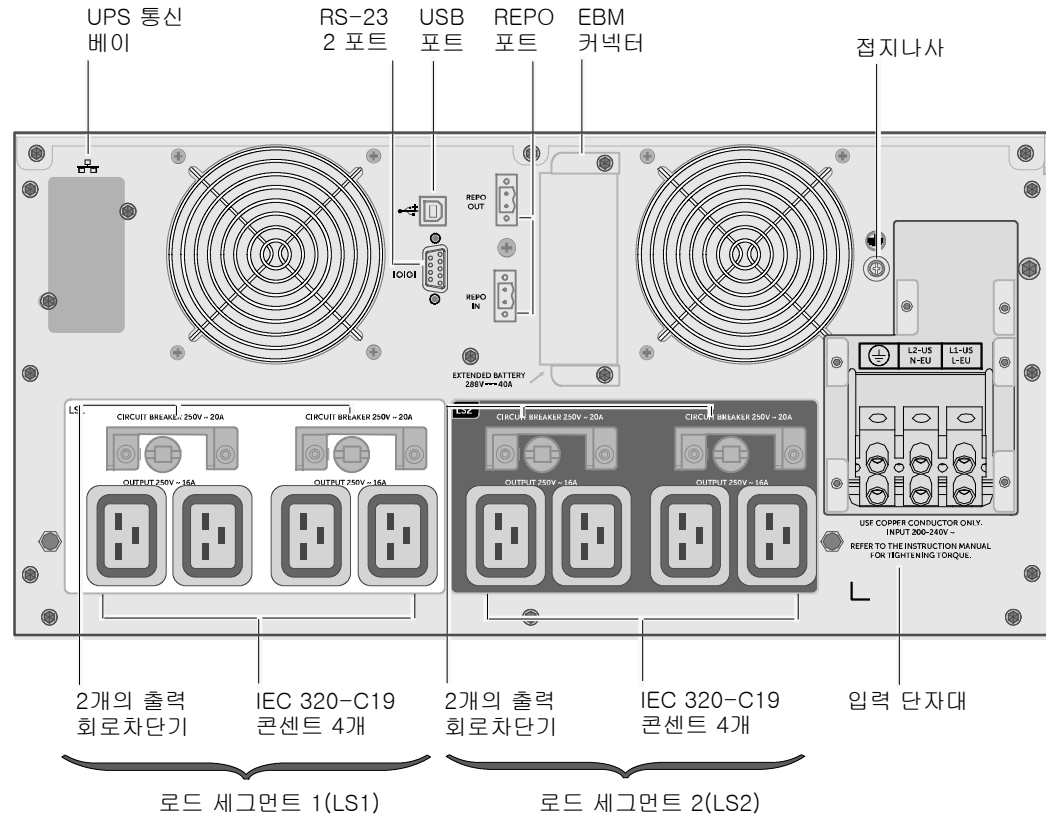
본 부분은 세 가지의 Dell 온라인 랙 10 kWUPS 모델의 뒷면 패널 옵션을 나타냅니다.



10 kW 230V UPS (DELL10KWOLHV)



10 kW 230V UPS (DELL10KWOLHVB)








Dell™ オンライン式ラック型UPS
10 kW

はじめに
システムについて

DELL10KWOLHVUS, DELL10KWOLHV, DELL10KWOLHVB
DELL10KWEBM



注記および警告

-  **注記：**「注記」はソフトウェアを有効に利用するための重要な情報を示しています。
-  **危険：**「危険」は、回避しない場合は死亡または重傷につながる切迫した危険な状況を示しています。
-  **警告：**「警告」は、回避しない場合は死亡または負傷につながるおそれのある潜在的に危険な状況を示しています。
-  **注意：**「注意」は、回避しない場合は軽傷または中程度の傷害、あるいは物的損害につながる可能性がある潜在的に危険な状況を示しています。
-  **危険：**以下の注意事項をよくお読みになり、回避しない場合は死亡または重傷につながる切迫した危険な状況にならないようにしてください。
- このUPSの中には **致命的な電圧** が掛かっています。すべての修理や整備は **公認サービススタッフのみ** が行ってください。UPS内およびEBM内には **ユーザーが修理可能な部品** はありません。

当資料の情報は予告なく変更されることがあります。

© 2012 Dell Inc. 無断複写・転載を禁じます。

Dell Inc. の書面による許可を得ていない複写はいかなる形態においても厳重に禁じられています。

当テキストに使用されている登録商標： *Dell* およ *DELL* のロゴはDell Inc. の登録商標です。

ENERGY STAR は、アメリカ環境保護庁所有の登録商標です。

その他の登録商標および商標名は、本書の中でそれら商標や名称を主張する事業体、あるいは製品のいずれかに言及するために使用されることがあります。

2012年12月


システムの特徴

UPSは優れた性能および信頼性を提供し、以下のような独自の利点があります。

- 正弦波出力のあるオンラインUPS設計。
- 高出力密度や商用周波数依存性、発電機の互換性を持つオンライン二重変換技術。
- 電圧変動を修正することで、負荷へ安定した電圧を保証する「昇降圧」電圧調節。
- UPSは入力される交流電力をフィルター処理、調節し、バッテリーを消耗せずに機器へ安定した電力を供給します。
- 選択可能な作動の高性能モード。
- 5U UPSの高さ
- 外部電力がないときでもUPSの電力を入れることができる始動電池の能力。
- UPSの電源を切らずにバッテリーを安全に交換することができるため、メンテナンスが簡単です。
- Dellサービスタグ情報はLCDディスプレイのフロントパネルから読み取ることができます。
- オプションのExternal Battery Module (EBM) 付き拡張実行時間。
- リモートエマージェンシーパワーオフ (REPO) ポートを通じた緊急シャットダウン制御。
- 標準通信ポート2個 (USBおよびRS-232シリアルポート)
- オプションDell Network Management Card (別名NMCと呼ばれる) として、電力の保護や制御の拡張ができる高度通信機能付き。
- フレーム環境の温度と湿度の計測値を収集し環境データをリモートで監視するためのオプションの Powerware Environmental Monitoring Probe (EMP)。
2つのユーザー提供通信デバイスのステータスの収集と回収にも使用できます。
- 正常な運転停止や電力監視用のDell™ Multi-UPS Management Console (MUMC) and Dell™ UPS Local Node Manager (ULNM)
ウェブベースのソフトウェアアプリケーションを使用した高度な電力管理。
- 負荷セグメントと呼ばれる個別のレセプタクルグループを通じた逐次シャットダウンおよび負荷制御。
- カスタマーサービスに問い合わせなくても、簡単にアップグレードができるファームウェア。
- 世界中の代理店の承認による支持。
- ENERGY STAR® 認証UPS。

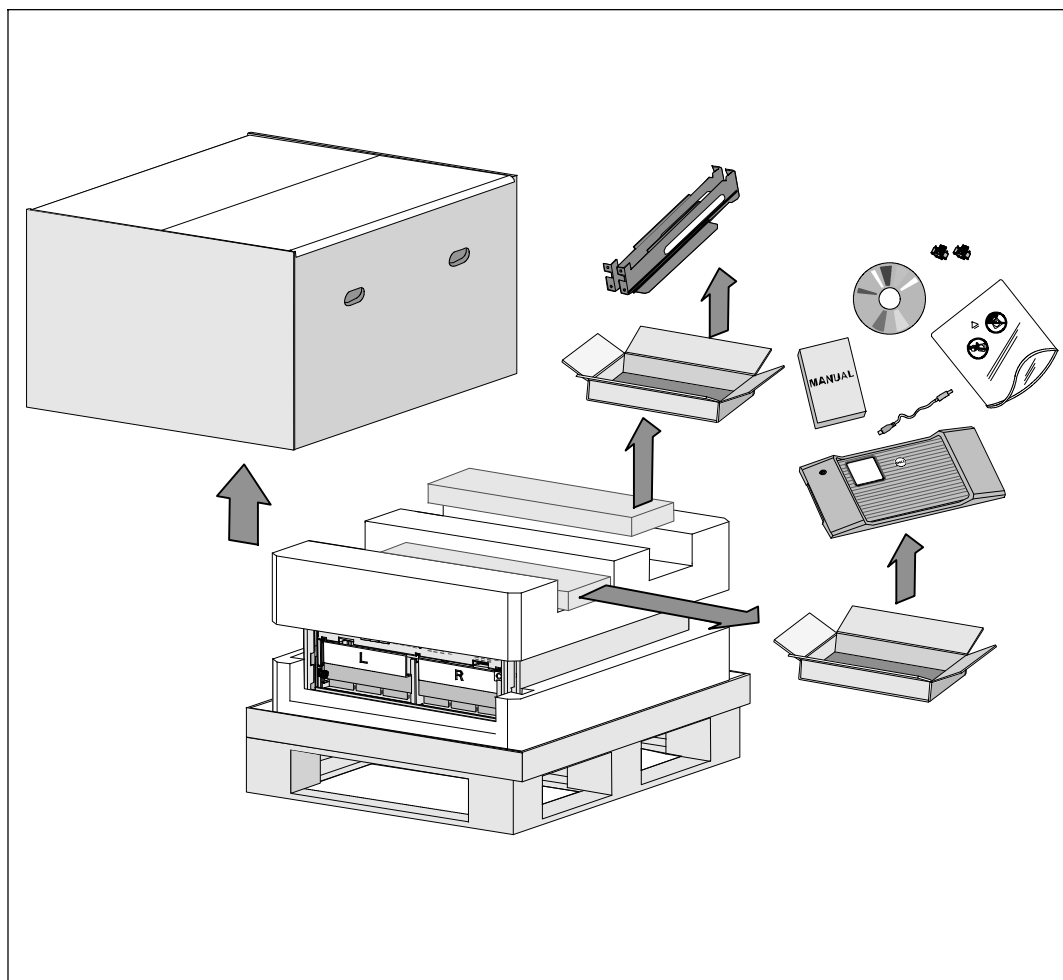





情報検索

 **注意：**
安全・環境・規制に関する情報資料には、安全および規定に関する重要情報が含まれています。

どんな情報をお探しですか?	こちらでご覧いただけます
<ul style="list-style-type: none">UPSユーザーガイドDell Network Management Card用のユーザーガイドDell MUMC and Dell ULNM ユーザーガイド	Dell UPS ディスク 
<ul style="list-style-type: none">仕様UPSの設定方法トラブルシューティングの方法および問題の解決方法REPO制御のインストール方法	注記 資料やソフトウェアアップデートは www.support.dell.com および www.dellups.com で入手できます。 Dell UPS ユーザーガイド ユーザーガイドはDell UPSディスクおよび www.support.dell.com で入手することができます。
<ul style="list-style-type: none">安全にご使用いただくために規則に関する情報リサイクルに関する情報	安全・環境・規制に関する情報
<ul style="list-style-type: none">保証に関する情報使用上の条件（アメリカのみ）エンドユーザー使用許諾契約	Dell 保証およびサポート情報
<ul style="list-style-type: none">サポート情報	Dell サポートウェブサイト? www.support.dell.com 注記: 使用する地域や事業区分を選択し、適切なサポートサイトをご覧ください。

インストールおよび起動



-  **注意：** 当資料の手順を実施する前に、**安全・環境・規制に関する情報資料**に記載されている**安全に関する説明書**および**重要な規制情報**をご覧ください、これらの情報に従ってください。
-  **注意：** 低温環境でキャビネットを開梱すると、キャビネット内またはキャビネット上に結露が生じる可能性があります。キャビネットは、内部および外部が完全に乾燥するまで、取り付けないようにしてください（感電の危険性があります）。
-  **注意：** バッテリートレイの設置または取り外しは、バッテリーや必要とされる安全上の注意に関して知識のあるスタッフが行うか、知識のあるスタッフが監視する必要があります。承認を受けていないスタッフをバッテリーに近寄らせないようにしてください。

⚠ 注意： キャビネットにはかなりの重量があります (99 kg/218 lb)。
キャビネットを持ち上げる前に、必ず両方のバッテリートレイをUPSから取り出してください。
キャビネットをラックに移動するには最低2名必要です。

⚠ 注意： バッテリーにはかなりの重量があります (32 kg/71 lb)。
バッテリーを取り外す際は適切な持ち上げ方法を使ってください。

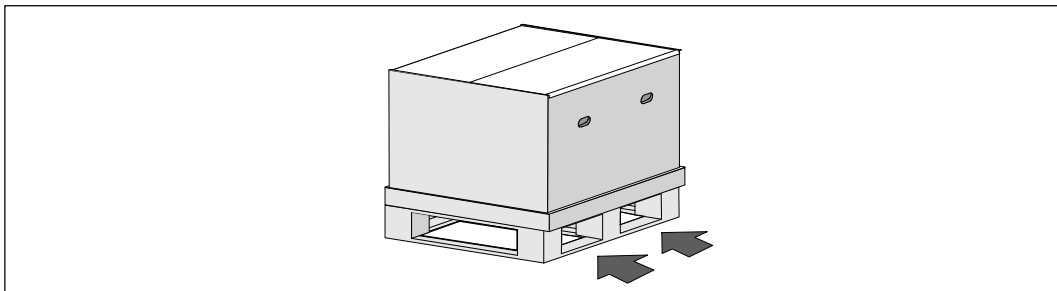
✍ 注記： 箱の移動や開梱の際は、注意を払ってください。
設置の準備が完了するまで、部品は梱包から取り出さずにそのままにしておきます。

このセクションでは、初めてシステムを設定する方法について説明しています。

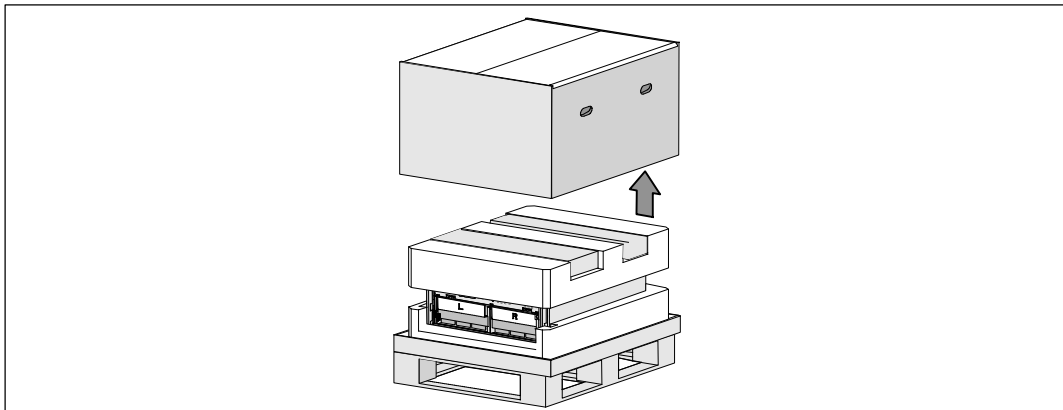
キャビネットの開梱

システムの開梱方法：

- 1** フォークリフトやハンドリフトを使って、UPSを設置するラックの近くに運送用段ボールとパレットを移動してください。




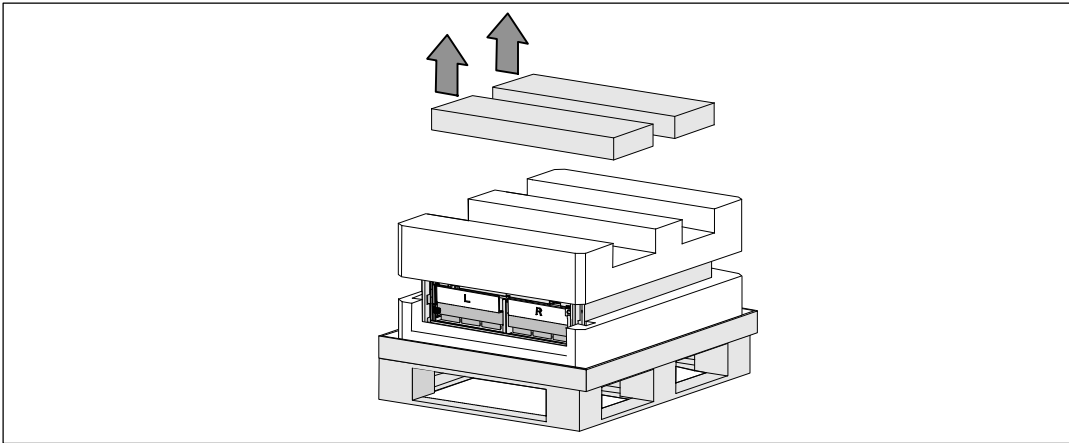
- 2** 外箱を取り外してください。



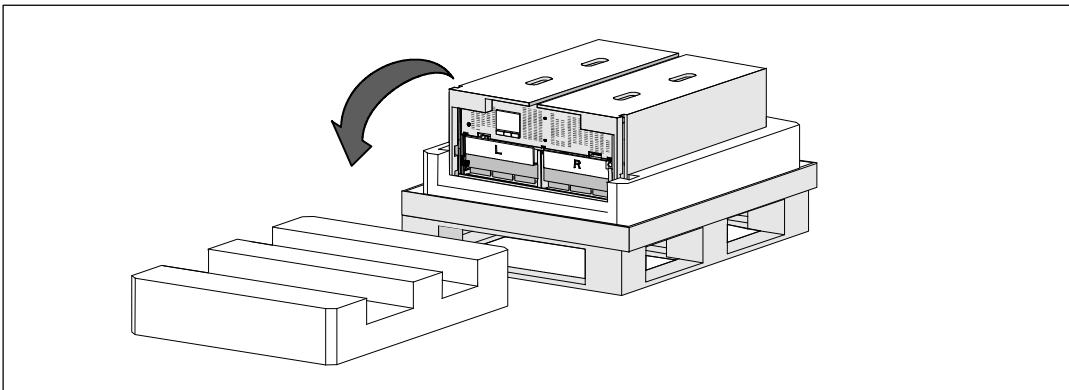
③ 一番上の発砲スチロール部分の溝に組み込まれた2つの付属ボックスを取り外してください。

④ 付属ボックスを開けて、近くにある平らで安定した表面の上に置きます。

 **注記：** *Dell* オンライン式ラック型UPS 10 kW ユーザーガイドで開梱と設置の手順を示します。参照するには、付属ボックスを脇に置く前に付属ボックスから出してください。



⑤ 上部の発砲スチロール部分を取り外して、近くの平らで安定した表面上に置きます。



注記： バッテリー保持ブラケットはL（左）とR（右）とラベルされ、設置箇所を示しています。

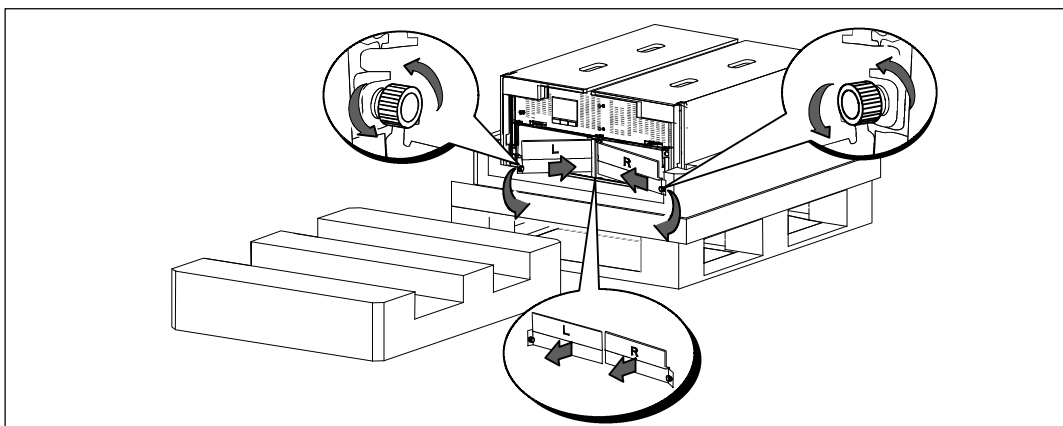
6 両方のバッテリー保持ブラケットをUPSから外して下さい。

左（**L**とラベルされています）保持ブラケットの位置を確認してください。
シャーシの左側の蝶ネジを反時計回りに回して左の保持ブラケットを外します。

ブラケットをセンターポストの方向に押し、シャーシから外してください。
ブラケットをご自分の方向に開き、ブラケットを左に引っ張って取り外してください。
ブラケットを脇に置いてください。

右（**R**とラベルされています）保持ブラケットの位置を確認してください。
シャーシの右側の蝶ネジを反時計回りに回して右の保持ブラケットを外します。

ブラケットをセンターポストの方向に押し、シャーシから外してください。
ブラケットをご自分の方向に開き、ブラケットを右に引っ張って取り外してください。
ブラケットを脇に置いてください。



7 全てのバッテリーコネクタが接続されていないことを確認してください。

! **注意：** バッテリーにはかなりの重量があります (32 kg/71 lb)。
バッテリーを取り外す際は適切な持ち上げ方法を使ってください。

8 UPSからバッテリートレイを取り外します：

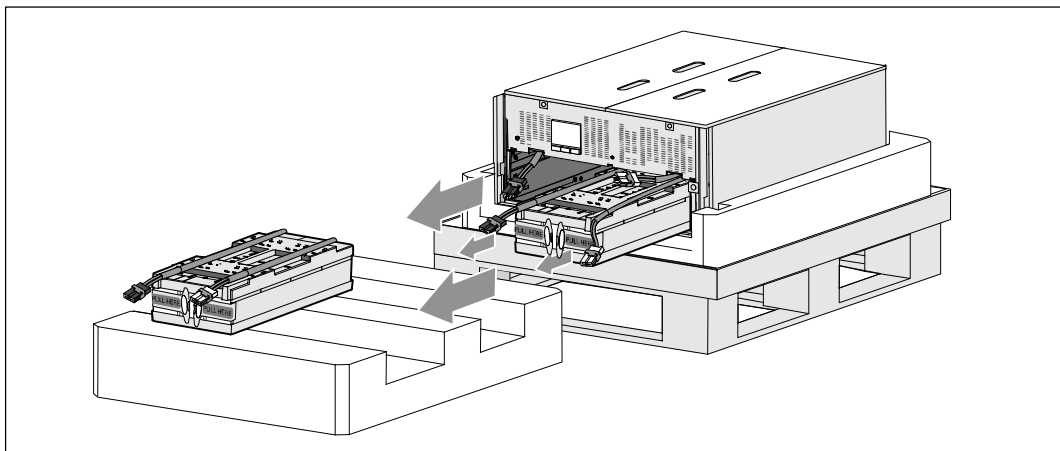
外したUPSバッテリーコネクターを、邪魔にならないように、バッテリーコンパートメントの上に移動させます。

バッテリートレイの前にある2つのプラスチック製ループタブを握ります。
トレイをご自分の方向に引っ張って取り外してください。

✎ **注記：** ループタブのどこを握るかは、**PULL HERE**
と書かれたオレンジ色のラベルで表示されています。

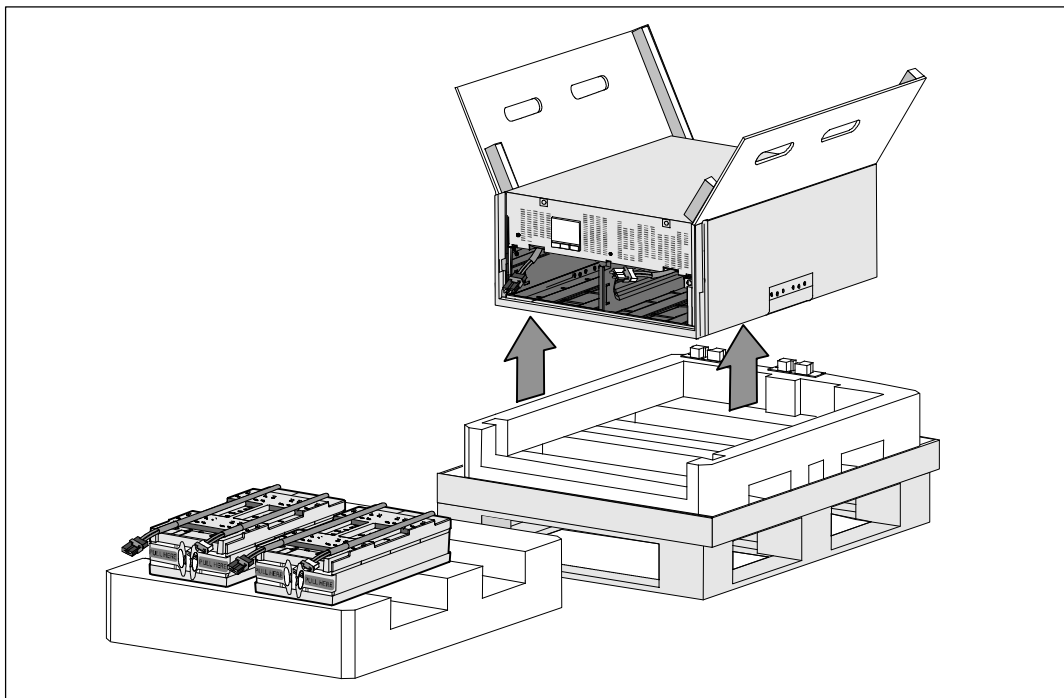
UPSの上部から取り外した発泡スチロール部分の上にバッテリートレイを置いてください。

2つ目のバッテリートレイでも同じ手順を繰り返します。



! 注意：バッテリーを取り外した状態でもキャビネットはかなりの重さがあります（46 kg/101 lb）。キャビネットを輸送用段ボールから移動するには最低2名が必要です。









9 片側を一人ずつで持ち、段ボールのハンドル部分を使って、発泡スチロールからキャビネットを注意して持ち上げます。



10 キャビネットを、設置するラックの近くの平らで安定した保護された場所に置いてください。

✍ 注記：その場所が湿度や可燃性ガスがなく、腐食のおそれもない、風通しのよい保護された場所であることを確認してください。

ラックマウント式設置方法

-  **注意：** キャビネットにはかなりの重量があります (99 kg/218 lb)。
キャビネットを持ち上げてラックのレールにUPSを設置する前に、必ずUPSから両方のバッテリートレイを取り外してください。 キャビネットをラックに移動するには最低2名必要です。
-  **注意：** バッテリーの設置または取り外しは、バッテリーおよび必要な安全上の注意に詳しいスタッフが行うか、詳しいスタッフが監視する必要があります。
承認を受けていないスタッフをバッテリーに近寄らせないようにしてください。
-  **注意：** バッテリーにはかなりの重量があります (32 kg/71 lb)。
バッテリーを取り外す際は適切な持ち上げ方法を使ってください。
-  **注意：** オプションのEBMを設置する場合、必ずEBM をUPSの下に置き、UPSとEBMの間にUスペースができないようにしてください。これによって、ラックにより良い重量配分、UPSコントロールパネルへのより簡単なアクセス、より簡単なバッテリーケーブル接続へのルーティングが可能になります。 こうすることによって、UPSに接続するEBMコードの突っ張りやねじれの発生をなくし、接続ミスを防ぐことにもなります。
-  **警告：** ラックマウント式システム 複数のシステムをラックに設置する際は、まずひとつのシステムの取り付け作業を全て終えてから、次のシステムの設置に進みます。
-  **注記：** 取り付けレールは、各キャビネットに必要となります。
-  **注記：** キャビネットにはフロントカバーが取り付けられずに出荷されます。
-  **注記：** 四角型の穴や、ネジ無し穴、丸型穴のラックは、すべて同じ以下の手順です。
レールは両方のラックスタイルに適合します。

UPSをラックに取り付ける方法：

- 1** 以下のものが、UPSを設置するラックの近くの平らで安定した表面上に置かれていることを確認してください：
 - キャビネット
 - UPS付属ボックス2つ
 - バッテリートレイ2つ (UPSのみ)
 - バッテリー保持ブラケット2つ (UPSのみ)

レールの取り付け方法



- 2 レールキット付属ボックスからレールを取り外してください。
- 3 レール上の適切な穴を選び、ラック上の希望する位置にキャビネットを配置します。
UPSに割り当てられた5Uのスペースの底面にレールを配置します。

⚠ 注意： オプションのEBMをインストールする場合、EBMとUPSの間にUスペースができないように、EBMをインストールするスペースを確保します。

✍ 注記： レールのラベルの、右前（RIGHT FRONTとラベルされています）と左前（LEFT FRONTとラベルされています）を確認してください。
これは、レールを正しい位置にインストールするためのものです。

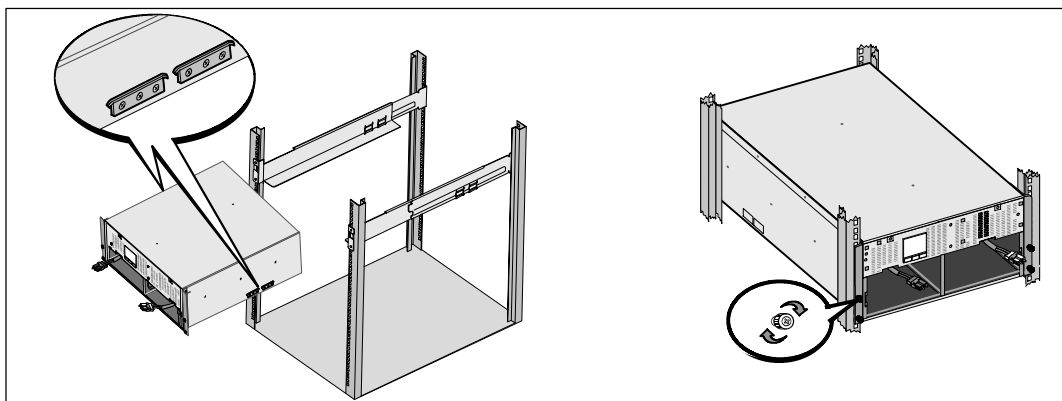
- 4 図のように左と右のレールを配置してください。
左と右のレールをラックに取り付けてください：

垂直のラックフランジに完全にはまり、フックラッチが所定位置に固定するまで、レールの後端部をはめ込みます。

ラックの前方を越えるようレールを引っ張ります。

垂直のラックフランジに完全に収まり、フックラッチが所定位置に固定するまで、レールの前端部をはめ込みます。

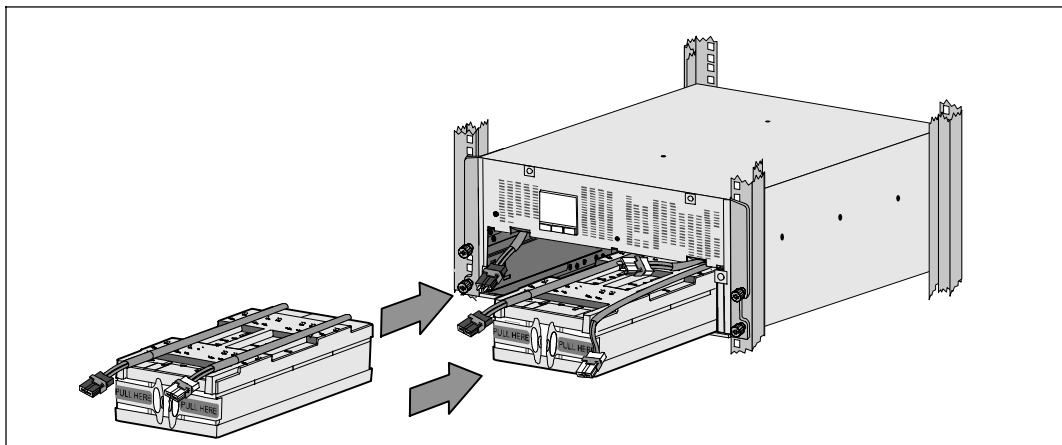
キャビネットの取り付けおよび固定



! 注意：バッテリーを取り外した状態でもキャビネットはかなりの重さがあります（46 kg/101 lb）。キャビネットをラックに移動するには最低2名が必要です。

- 5 キャビネットをレール上をスライドさせラックに入れます。
- 6 4つの蝶ネジを使って、キャビネットの前方をマウンティングブラケットに固定します。手でチョウネジを時計回りに強く締めてください。電動工具は使用しないでください。

バッテリートレイの取り付け方法



- 7 ラックの近くに置いたバッテリートレイの位置を確認してください。

⚠ 注意： バッテリーにはかなりの重量があります (32 kg/71 lb)。
バッテリーを設置する際は適切な持ち上げ方法を使ってください。

✎ 注記： バッテリートレイはどちらのバッテリーコンパートメントにも設置できます。

✎ 注記： 警告表示の矢印が上を向いてる状態でトレイを挿入してください。

8 バッテリートレイの取り付け方法

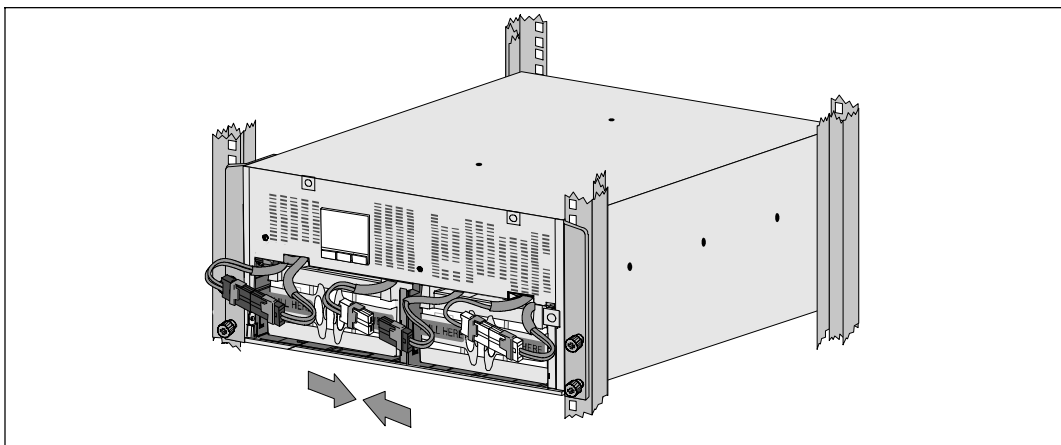
UPSバッテリーコネクタを、邪魔にならないように、バッテリーコンパートメントの上に移動させます。

バッテリートレイがバッテリーコンパートメントの中に完全に納まるまでスライドさせます。

2つ目のバッテリートレイの設置にも同じ手順を繰り返します。

9 それぞれのバッテリートレイの前のプラスチックのスリーブ管にループタブを差し込み、邪魔にならないようにします。

内臓バッテリーコネクタの接続方法




10 内臓バッテリーコネクタを接続します。

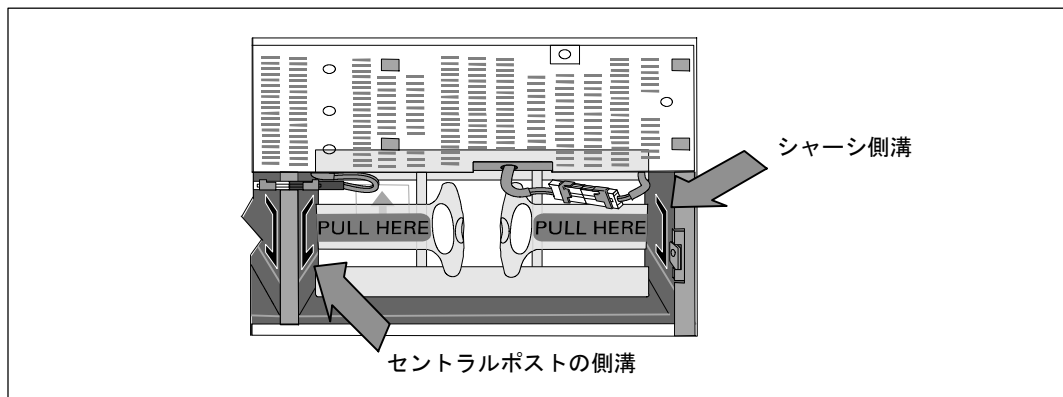
バッテリートレイ左端のコネクタと固定されたUPSのコネクタとを接続します。
バッテリートレイ右端のコネクタと固定されたUPSのコネクタとを接続します。


✎ 注記： 電池を接続する際に、少量のアーク放電が起こることがあります。
これは正常であり、装置に損傷を与えたり、安全にかかわる心配はありません。

センターポストの両側にあるバッテリージャンパーの位置を確認して接続します。
センターポスト上部の小さなシェルフにコネクタを置きます。

 **注記：** 中央バッテリージャンパーを接続することで、2つのバッテリートレイを連結します。

バッテリー保持ブラケットの交換方法



 **注記：** バッテリー保持ブラケットはL (左)とR (右)とラベルされ、設置箇所を示しています。

11 左 (L) と右 (R) のバッテリー保持ブラケットを取り替えます：

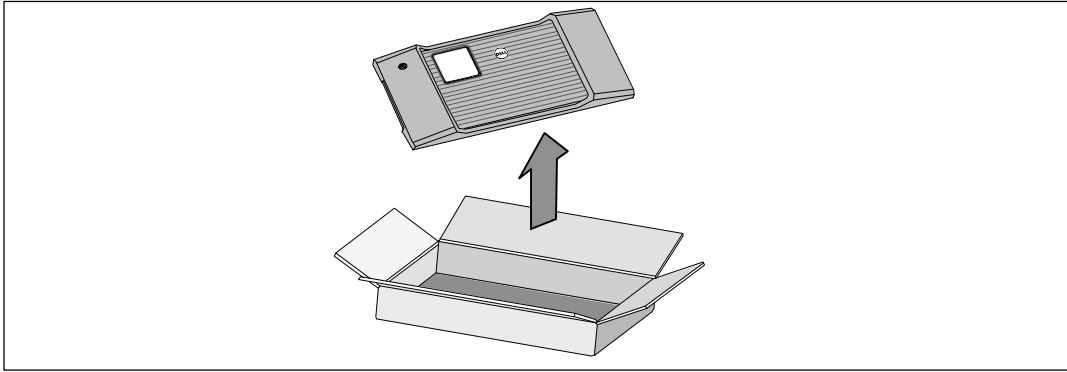
一つ目のバッテリー保持ブラケットのブラケットタブをセンターポストの側溝に挿入します。
接続されているバッテリーケーブルを保持ブラケットの後ろにぴったりとはめてください。

バッテリー保持ブラケットの端をシャーシの側溝に合わせます。
側溝にしっかりと納まるまでブラケットを押し込みます。


チョウネジを時計回りに回してブラケットを固定してください。

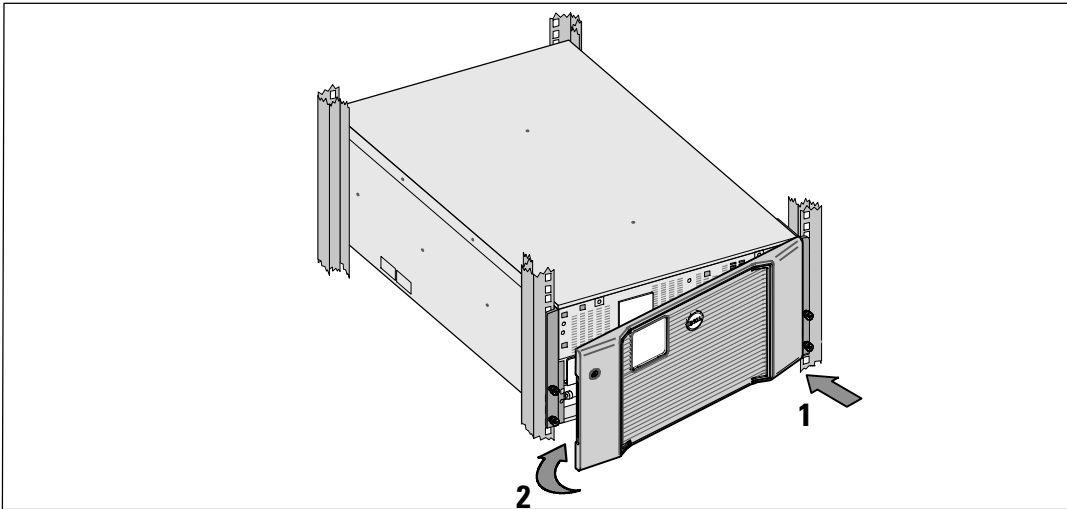
手順を繰り返して2つ目のバッテリー保持ブラケットを取り替えます。

UPSのフロントカバーの取り付け方法



12 付属ボックスからフロントカバーを取り外します。

 **注記：** UPSを設置するまで、ソフトウェアCD、通信ケーブル、および（必要であれば）REPOコネクタを付属ボックスに保管してください。




13 UPSフロントカバーを取り付けます。

フロントカバーをシャーシの前に揃えてください。

フロントカバーの右側タブを、右側シャーシに設けられているタブ用の穴に挿入します。

カバーの左側を前方向に押ししてシャーシにはめてください。

 **注記：** カバーをシャーシに固定する前に、UPSシャーシのLCDパネルとフロントカバーのLCDウィンドウが整列されていることを確認してください。


14 梱包用の箱は、責任を持って処分またはリサイクルするか、今後の使用のために保管します。

装置の接続方法

UPSの取り付け方法：

1 Dell MUMC and Dell ULNMソフトウェアを使用する場合、以下のいずれかの方法で通信を確立してください：


- Dell Network Management Cardを使用する（設置されている場合）
- 提供されたケーブルでコンピューターをUSBポートに接続する

 **注記：** 通信オプションに関する詳細は、*Dell オンライン式ラック型UPS 10 kW ユーザーガイド*ページをご参照ください。

2 お使いのラックに、接地用、あるいは非接地金属部品の接合用の導体が含まれる場合は、接地ケーブル（同梱されていません）を接地接合ネジに接続します。3つのモデルの各々のグラウンドボンディングネジの位置に関しては、236ページの「UPS後方パネル」をご参照ください。


3 地域の条例で、非常停止（切断）スイッチが要求されている場合は、*Dell オンライン式ラック型UPS 10 kW ユーザーガイド*で「リモートエマージェンシーパワーオフの設定方法」をご覧ください。

4 オプションでEBMを取り付ける場合は、*Dell オンライン式ラック型EBM 10 kW* はじめにお使いのシステム の取り付け説明書をご覧ください。

 **注意：** UPSをEBMなしで保管、あるいは使用する場合、UPSのリアパネルにあるバッテリーコネクタカバーは、安全注意事項に従い取り付けなければいけません。

5 保護する装置をUPS出力レセプタクルに差し込みます。ただし、保護装置の電源は入れないでください。

6 必要に応じて、コードを引いたり張力の緩和を行ってください。

 **注記：** 過負荷アラームを防ぐため、装置の定格の合計がUPSの容量を超えていないか確認してください。

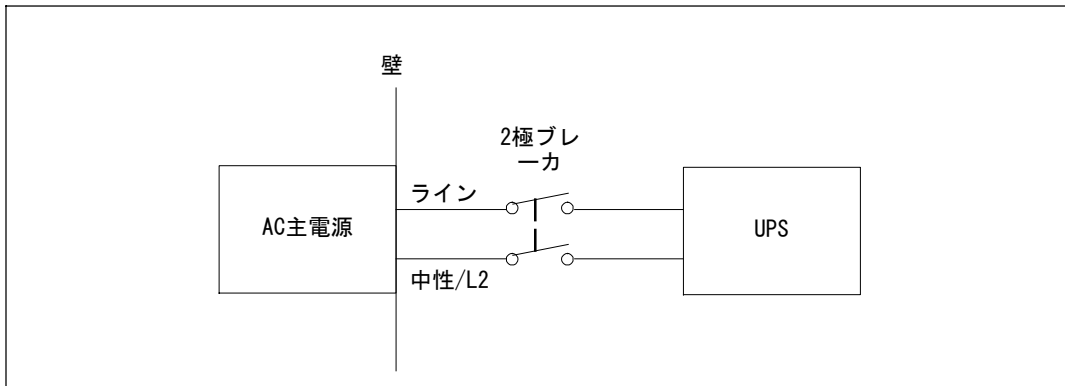
UPS入力配線



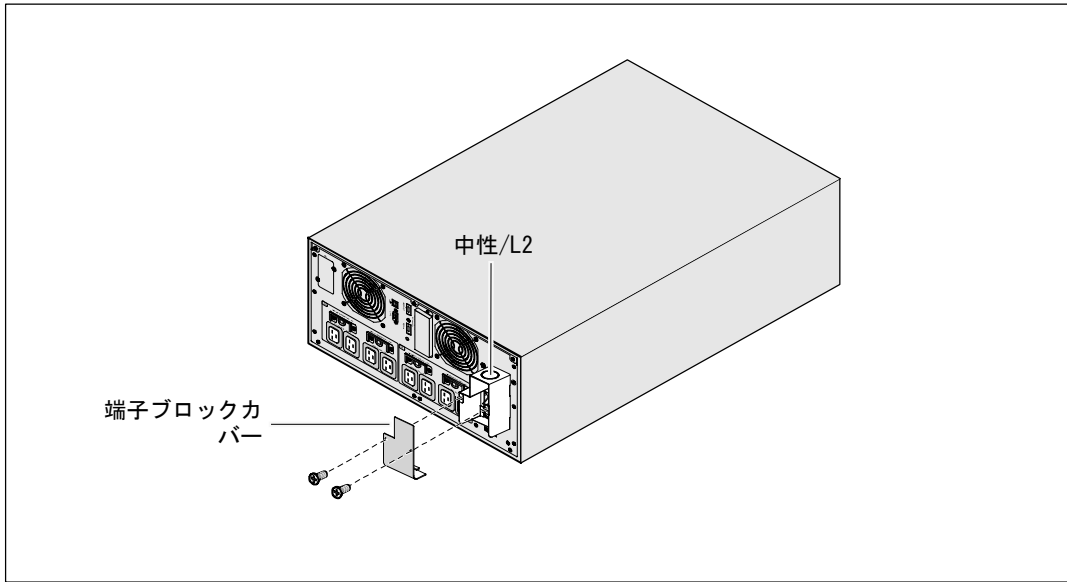
警告：感電の危険。有資格のサービススタッフ（認定された電気主任技術者など）のみが電気器具の取り付けを行ってください。

Del1 Rack配線接続型は、以下の条件を満たす専用分岐回路が必要です：

- 保護装置には、UPS入力と電源の間に2極の断路器が必要です。
- ブレーカーは、壁掛け式であり、操作員が容易にアクセスできる場所に設置されなければなりません。
- ヨーロッパ向け ブレーカーは IEC/EN 60934 規格に従い、最低 3 mm の接触エアギャップを有する必要があります。
- 200-40 Vac
- 単相
- 50/60 Hz
- 柔軟性のある金属製導管（簡便な修理および保守のために推薦）

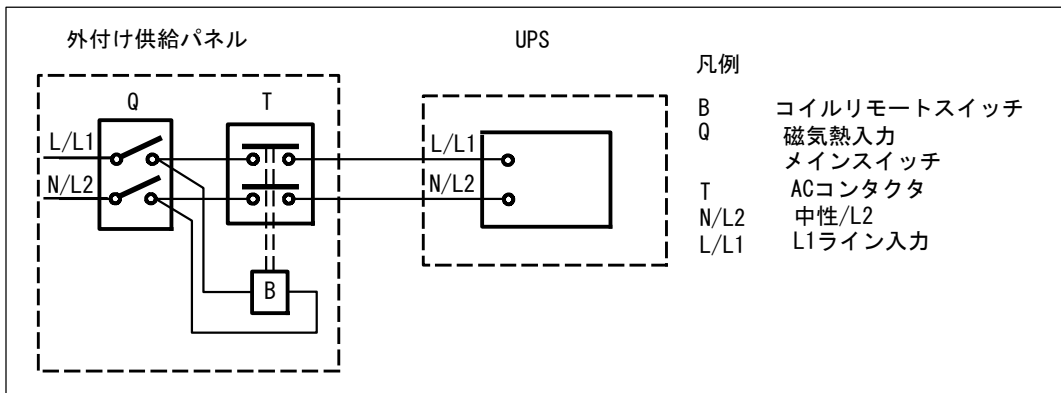


端子ブロックカバーの取り外し



- 1 UPSが接続される供給地点のユーティリティ電源をオフにします。電力が完全に供給されていないことを確認します。
- 2 端子ブロックカバー（2本のネジ）を取り外して保持します。
- 3 入力導管用に端子ブロックカバーのノックアウト穴を開けます。その穴は、1" または 1.5" (25.4 mm または 38.1 mm) 中間電線管 (IMC) を収容する必要があります。

注意： UPSに電流負帰還に対する自動保護装置がない場合、外付けの絶縁装置を取り付けることを推奨します。装置を取り付けた後、以下の注意事項が記載された警告ラベル等を、外付けのACコンタクタに貼り付けなければなりません：電圧 負帰還の 恐れがあります。この回路で操作する前に、UPSを絶縁し、すべての端子間における危険な電圧を確認してください。

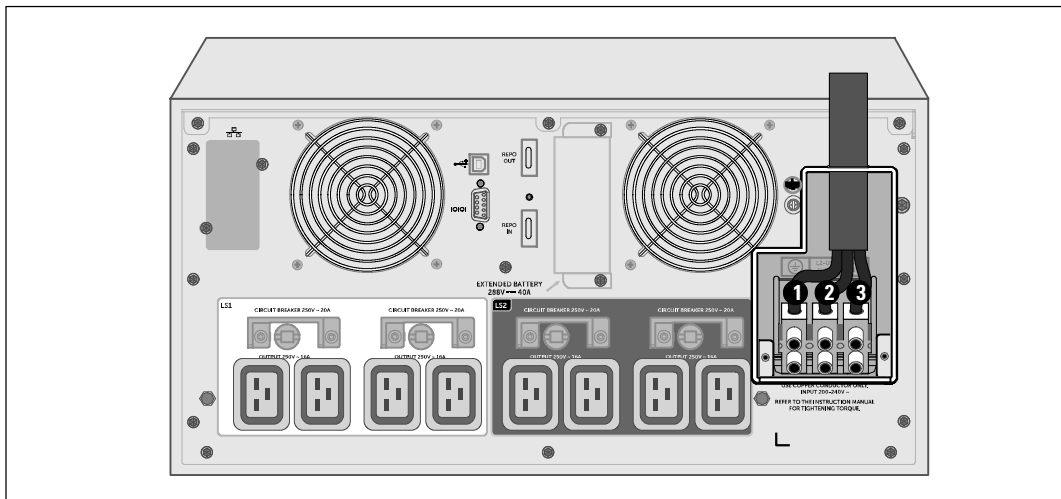


以下のリストは、負帰還を防ぐための外付けの絶縁装置として利用可能な負帰還保護装置 (ACコンタクタ) を一覧表示しています。このリストに表示されたACコンタクタ以外は使用できません。

製造会社	種類	定格
ABB フランス (E12527)	A75-30	220?40 Vac, 105A 208Vで25HP、 240Vで30HP
Tianshui 213 Electrical Apparatus Co., Ltd. (E203071) (代替)	GSC1 (CJX4-d)-6511	220?40 Vac, 68A 25 HP
Tianshui 213 Electrical Apparatus Co., Ltd. (E203071) (代替)	GSC1 (CJX4-d)-8011	220?40 Vac, 80A 30 HP

注記： UPSには抗負帰還 (ABF) 継電器は含まれませんが、ある程度の負帰還保護は提供されています。例えば、いくつかのコンポーネントがバッテリーモードで損傷を受けた場合、出力電圧が入力にフィードバックする可能性があります。この場合、バイパス電流フィードバック電圧の検出に変流器 (CT) が用いられます。電流負帰還障害状態が検出された場合、怪我を防止するためにUPSがインバータ出力を終了します。

入力ワイヤーおよび接地ワイヤーの取り付け



- 4 入力ワイヤを導管から引き出し、約2 ft (0.5m) のワイヤをむき出しにしておきます。導管の末端にフレキシブル接続金具を取り付けます。
- 5 配線アクセス入り口を通して導管を挿入し、導管接続金具をパネルに取り付けます。各入来ワイヤーの末端から0.5" (1.5 cm) の絶縁被膜を取り去ります。
- 6 以下の表に示したUPS配線仕様に従って、入力線およびアース線を端子ブロックに取り付けてください。

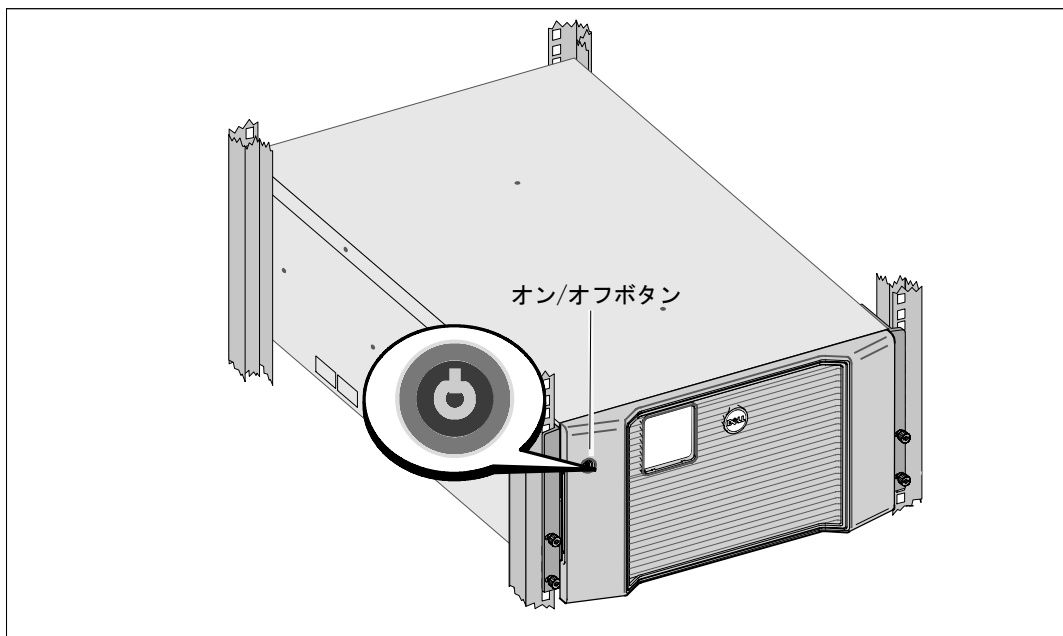
ワイヤーの機能	端子位置	UPSワイヤーの機能	端子ワイヤーサイズ 定格*	締め付けトルク
入力	1	入力接地	16?5 mm ² (8? AWG)	1.7 Nm (15 lb-in)
	2	L2 / 中性点入力		
	3	L1入力		

* 最小を使用 :

- 8 装置接地線用AWG、75°C 銅線最小
- 4 入力線および中性線用AWG、75°C 銅線最小


- 7 端子ブロックカバーを元に戻します。

UPSの起動方法



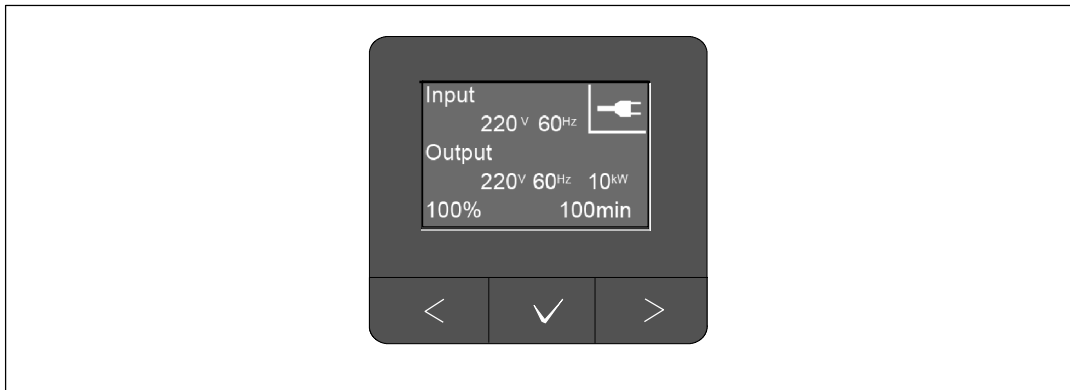
UPSの起動方法：

- 1 内蔵バッテリーが接続されていることをご確認ください。
- 2 オプションのEBMがインストールされている場合、EBMがUPSに接続されていることをご確認ください。 詳細については、*Dell オンライン式ラック型EBM 10 kW* はじめにお使いのシステムをご参照ください。
- 3 すべての負荷セグメントサーキットブレーカがオン位置にあることを検証します。
- 4 メインの電力ブレーカーのスイッチを入れます。

UPSのLCDパネルのディスプレイが明るくなります。 Dellの起動画面がUPSステータス要約画面に変わります。 UPSの前方パネルのディスプレイは、点滅のスタンバイアイコン  を示しています。


- 5 UPSの前方パネルにあるオン/オフ ボタンを押します。

完全に起動すると、UPS動作モードに従ってステータスが変わります。



- 6 アクティブになっている警告や通知を確かめるには、UPSステータス要約画面の▶ ボタンを押します。続ける前に、作動中の警告を解決してください。 *De11* オンライン式ラック型UPS 10 kW ユーザーガイド の「トラブルシューティング」をご覧ください。

作動中の警告がない場合は、「作動中の警告なし」というメッセージが表示されます。

- 7 UPSが正常に作動し、負荷電力があることを示す「正常」アイコン  が、UPSのステータス要約画面に現れていることをお確かめください。

- 8 以下の詳細は、*De11* オンライン式ラック型UPS 10 kW ユーザーガイドを参照してください。

- 拡張バッテリーモジュール (EBM) がオプションとしてインストールされている場合の設定手順
- 日付と時間の設定およびその他の工場出荷時設定の変更


- 9 オプションのREPOを取り付けられている場合は、REPO機能テストを行ってください：


REPOの外部スイッチを有効にします。




UPSのディスプレイのステータスが変わったことをご確認ください。

REPOの外部スイッチを無効にし、UPSを再起動します。

- 10 バッテリーを充電してください。

 **注記：** 内蔵バッテリーは、3時間以内で90%の容量まで充電されます。ただし、取り付け後、あるいは長期使用しなかった後は、48時間、バッテリーを充電する必要があります。

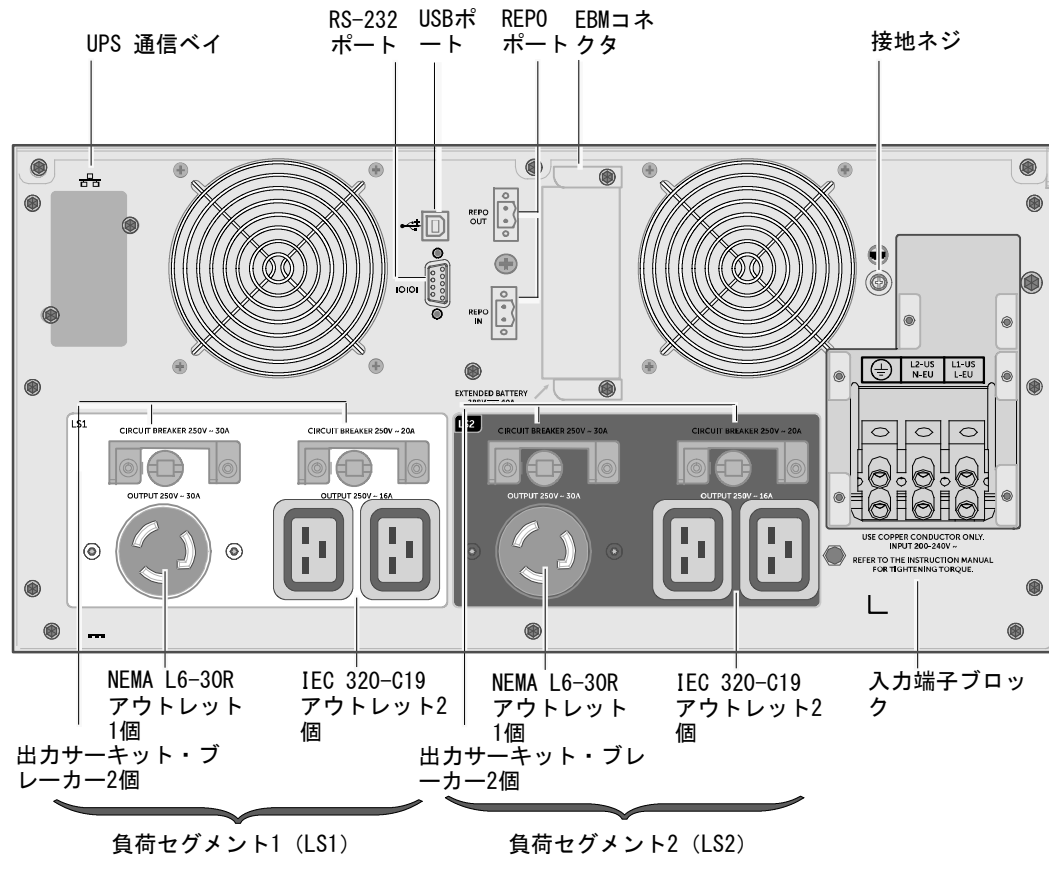
 **注意：** UPSが過負荷状態にならないように、負荷は1つずつ接続し、ひとつの保護装置が完全に起動し終わるまで次の負荷は接続をしないでください。

-  **注記：** Dell では、トラブルシューティングや保証のためにも、日付および時間の設定を推奨します。
-  **注記：** 初起動では、UPSは、入力ライン周波数（入力周波数自動検出は初期設定では有効になっています）に従い、システム周波数を設定します。初起動後は、出力周波数設定によって手動で再び有効にするまで、自動検出は無効となります。
-  **注記：** 初めての起動時、入力自動検出は初期設定としてになっています。それ以降の起動後は、出力電圧設定によって手動で再び有効にするまで、自動検出は無効となります。

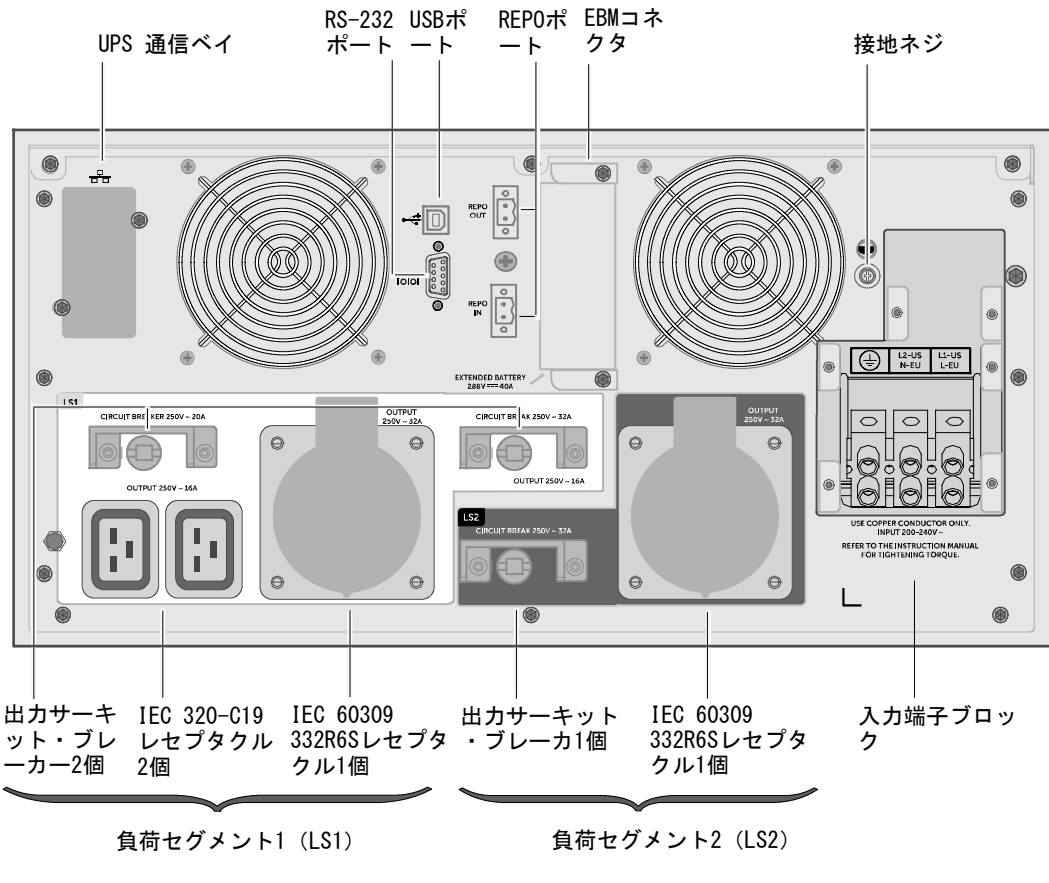
UPS後方パネルの識別

このセクションでは、3種類の10 kW Dell RackUPSモデルオプションの後方パネルを表示しています。

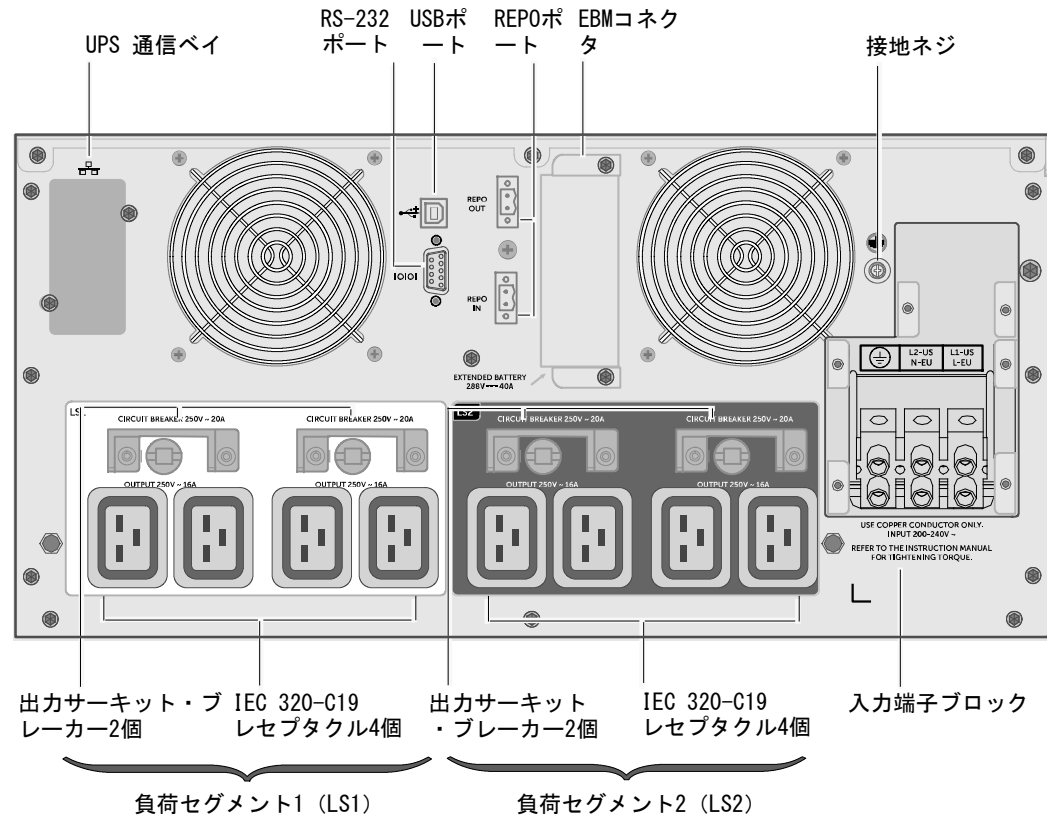
10 kW 208V UPS (DELL10KWOLHVUS)



10 kW 230V UPS (DELL10KWOLHV)



10 kW 230V UPS (DELL10KWOLHVB)





P-164000187 2